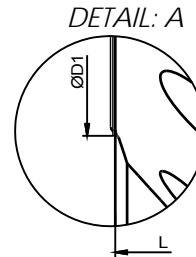
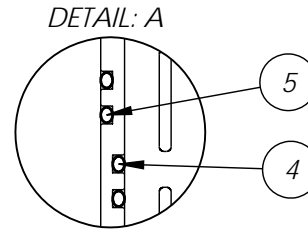
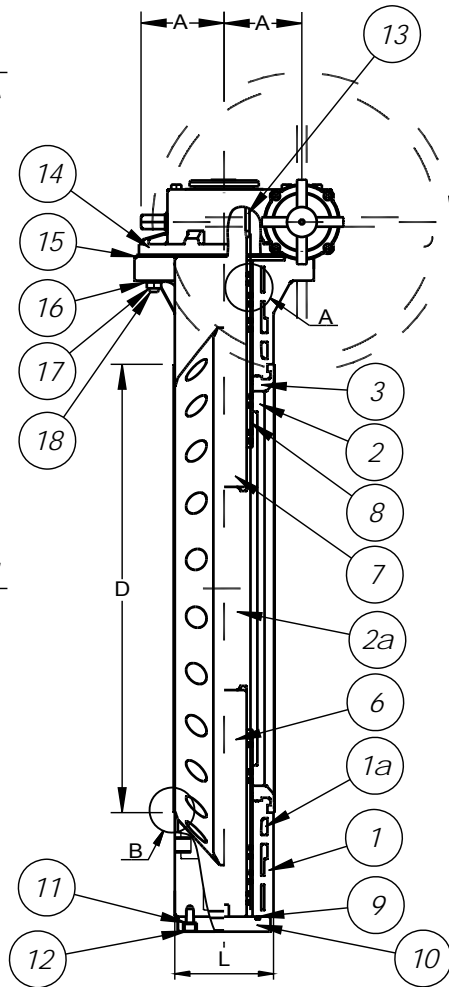
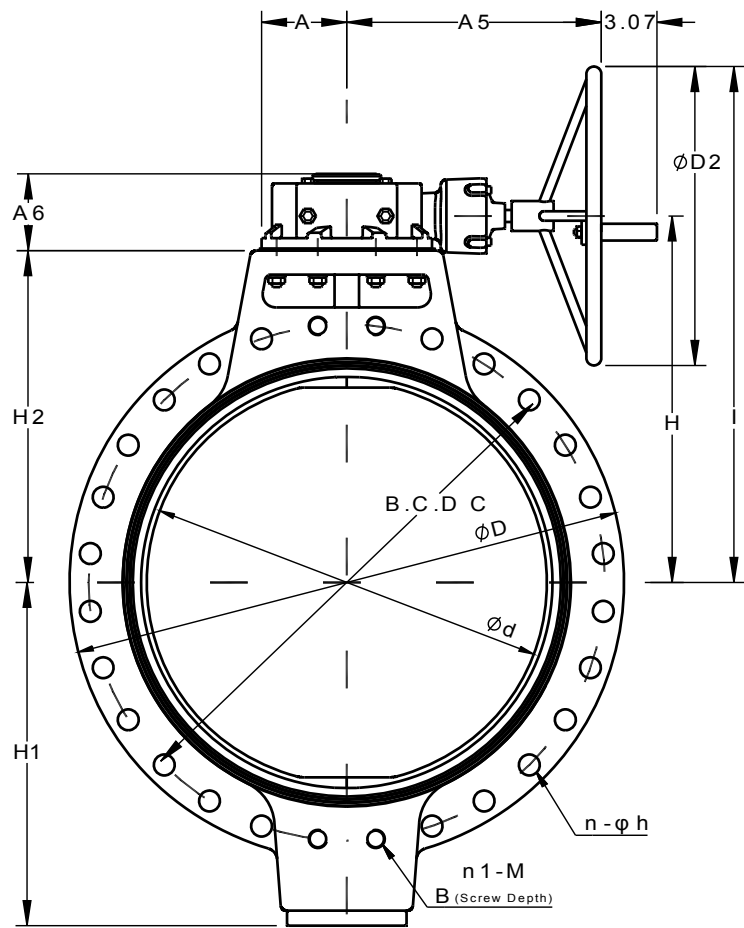
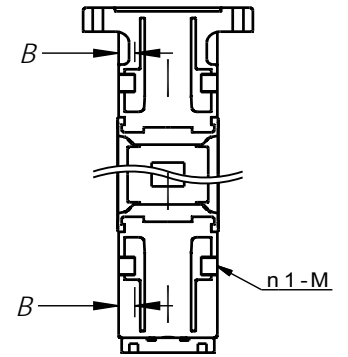


NOMINAL SIZE	d	ANSI CLASS 150									D	D1	D2	L	H	I	H1	H2	A	A2	A4	A5	A6	GEAR BOX MODEL #
		c	h	N	n	/side	/total	M	B															
28" 700MM	26.38	34.00	1.38	28	24	4	8	1-1/4	1.06	36.54	29.53	19.69	6.50	24.13	33.98	22.60	21.85	5.61	5.12	5.47	16.76	5.08	AB1950N	

NOTE: DIMENSIONS "L" IS EQUIVALENT TO ISO572 FLANGES (WAFER) SHORT



DETAIL OF SCREW HOLE



NUMBER	DESCRIPTION	QTY.	MATERIAL	REMARKS
1	BODY	1	PDCPD	
1a	INSERTED METAL OF BODY	2	STEEL CASTING STAINLESS SC313	
2	DISC	1	PVDF	
2a	INSERTED METAL OF DISC	1	AC4C	
3	SEAT	1		
4	O-RING (A)	16	FKM	
5	O-RING (B)	4		
9	O-RING (C)	1		
15	GASKET	1		
6	STEM (B)	1	HASTELLOY C	ALOY-C276
7	STEM (A)	1	HASTELLOY C	ALOY-C276
8	BUSH	2	PVDF	
10	STEM HOLDER	1	ABS	
11	WASHER (A)	4	SS (SUS304)	
12	BOLT (A)	4	SS (SUS304)	
13	KEY	1	CAST IRON (FC250) (polyurethane coat)	
14	GEAR BOX	1		ROTORK
16	WASHER (B)	8	SS (SUS304)	
17	NUT	8	SS (SUS304)	
18	BOLT (B)	8	SS (SUS304)	

UNLESS OTHERWISE SPECIFIED  
DIMENSIONS ARE IN INCHES

MACHINING	2 PL DECIMALS	± .01
TOLERANCES:	3 PL DECIMALS	± .005
	ANGULAR	± 1/2°
	FRACTIONAL	± 1/64
FABRICATION	1/2" - 8"	± 1/4
TOLERANCES:	10" AND UP	± 1/2
	ANGULAR	± 1.0°

WELD TYPE: N/A  
MATERIAL: PDCPD  
FINISH: 125µ"

THIS DRAWING AND ALL INFORMATION  
HEREON IS THE PROPERTY OF  
ASAHI/AMERICA. ANY COPYING,  
REPRODUCTION OR UNAUTHORIZED USE  
IS FORBIDDEN WITHOUT WRITTEN CONSENT.

REV	NAME	DATE
DR	C. Williams	06/25/15
REV		
APPR	M. Willen	06/25/15
PRODUCT:	VALVE & ACT	
WO#/SO#		

ASAHI/AMERICA  
ISO 9001 CERTIFIED  
655 ANDOVER STREET, LAWRENCE, MA



28" PDCPD BUTTERFLY VALVE W/ SIDE GEAR

JDE PART #

SIZE A DWG # 28PDCPD5G

REVISION A

SCALE N/A

SHEET 1 OF 1

REV	DATE	DESCRIPTION	BY	FROM
A	6/25/15	FIRST ISSUE	CW	MW