

Specifications

Sizes: Lever: 1-1/2" – 8"
Gear: 1-1/2" – 14"

Models: Wafer and Lug Style

Operators: Lever and Gear

Bodies: PP

Discs: PP

Seats: EPDM

Seals: EPDM

Stems: 316 Stainless Steel

NSF-61 Certified

Standard Features (Sizes 1-1/2" – 14")

- Sizes 1-1/2" through 10" meet pressure/temperature requirements from ASTM F2389
- 316 SS Stem with full disc engagement, completely isolated from media
- Molded valve body tag holes
- Full seat design eliminates gaskets
- Seat overtightening prevention
- Highly visible 0° to 90° position indicator with 19 locking positions
- ISO 5211 F07 – F14 bolt circle on top flange for easy actuation
- Polypropylene stem retainer
- Spherical disc design for reduced pressure drop
- Light weight

Options

- Pneumatically and electrically actuated by Asahi/America
- 2" Square operating nuts, stem extensions, chainwheel operators
- Limit switches for electrical open/close position indication
- Lug style (316SS lugs) for blocking and end-of-line applications



Parts List (Lever: Sizes 1-1/2" – 8")

No.	Description	PCS.	Material
1	Body	1	PP
2	Disc	1	PP
183	Seat Bush [A]	1	PP
184	Seat Bush [B]	1	PP
3	Seat	1	EPDM
6	O-Ring [C]	1	EPDM
185	O-Ring [I]	4	EPDM
7	Stem	1	Stainless Steel 316
8	Stem Retainer	1	PP
157	Screw [F]	4	Stainless Steel 304
16	Handle	1	PP
16A	Metal Handle Insert	1	Stainless Steel 316L
17	Handle Lever	1	PPG
18	Pin	1	PPG
19	Spring	1	Stainless Steel 304
20	Washer [A]	1	Stainless Steel 304
21	Bolt [B]	1	Stainless Steel 304
22	Locking Plate	1	PPG
23	Screw [B]	4	Stainless Steel 304
24	Cap [A]	1	PP

Parts List (Gear: Sizes 1-1/2" – 14")

No.	Description	PCS.	Material
1	Body	1	PP
2	Disc	1	PP
183	Seat Bush [A]	1	PP
184	Seat Bush [B]	1	PP
3	Seat	1	EPDM
6	O-Ring [C]	1	EPDM
185	O-Ring [I]	4	EPDM
7	Stem	1	Stainless Steel 316
8	Stem Retainer	1	PP
157	Screw [F]	4	Stainless Steel 304
25	Gearbox	1	Plasgear
28	Bolt [C]	4	Stainless Steel 304
158	Gasket	1	EPDM

Cv Values

Nominal Size	CV values at various opening degrees		
	30°	60°	90°
Inches			
1-1/2"	4	43	71
2"	7	73	120
2-1/2"	15	153	250
3"	18	183	300
4"	28	287	470
6"	66	671	1100
8"	150	1525	2500
10"	232	2355	3860
12"	342	3477	5700
14"	386	3928	6440

Wt. (lbs.)

Nominal Size	PP	
	Lever	Gear
Inches		
1-1/2"	2.4	6.8
2"	2.6	7.3
2-1/2"	3	7.5
3"	3.5	8
4"	4.4	8.8
6"	10.1	13.7
8"	16.3	19.6
10"	-	27
12"	-	53
14"	-	58

Pressure vs. Temperature (psi, water, non-shock)

Nominal Size	PP	
	-5°F 140°F	141°F 180°F
Inches		
1-1/2"	160	100
2"	160	100
2-1/2"	160	100
3"	160	100
4"	160	100
6"	160	100
8"	160	100
10"	160	100
12"	100	100
14"	100	40

Sample Specification

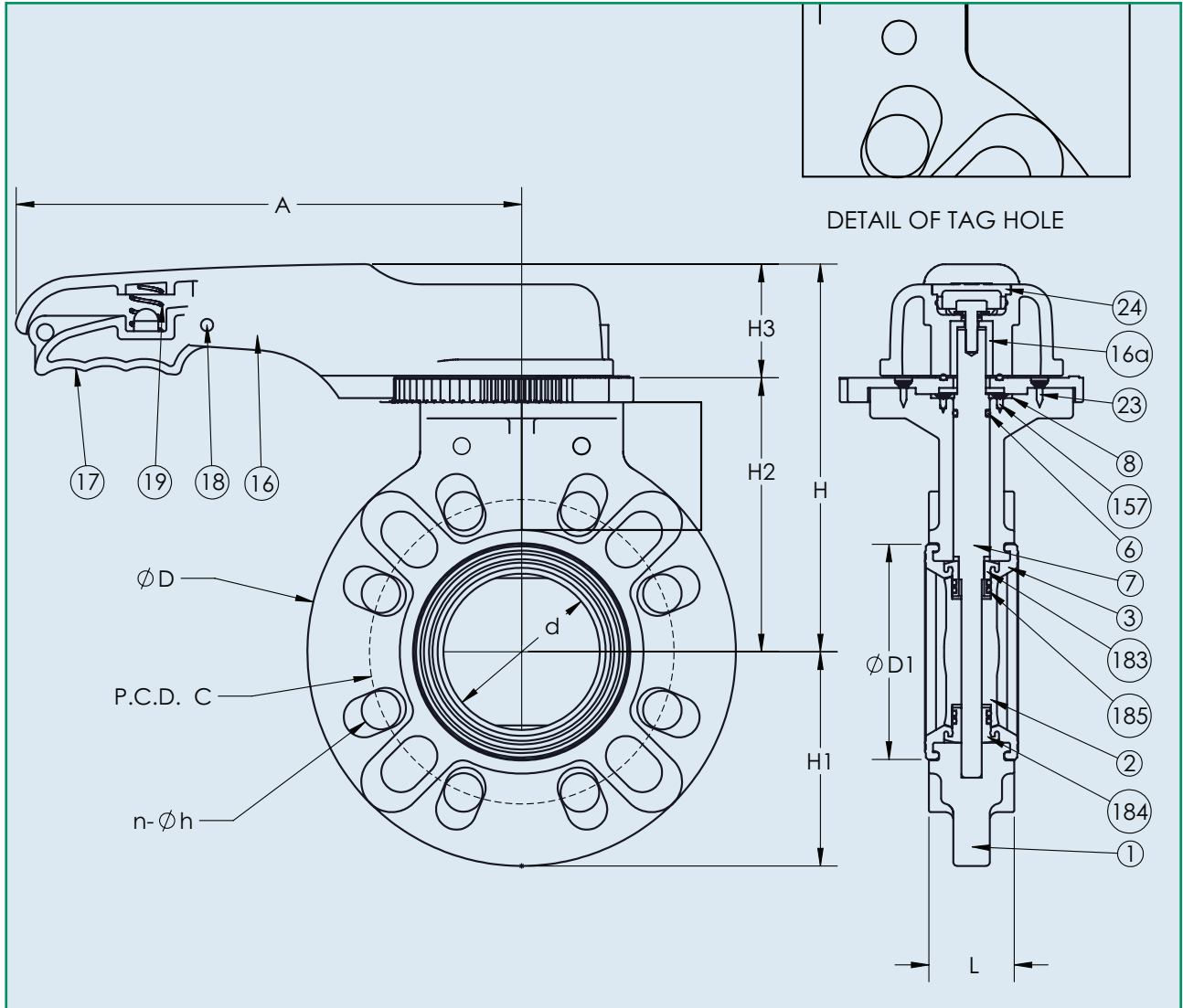
Butterfly valves shall be Type-57AT PP body with PP disc and EPDM seat and seals. The liner shall be full seat design fully molded around the body where as only the disc and seat are wetted parts, feature raised convex rings on the face and is intended to be utilized as the mating flange gaskets. Valve shall have a spherical disc design with disc bushings with double O-ring seals for a high cycle life and ultimate sealing.

Valve body shall have integral molded body stops and seat relief area to prevent over-tightening of the mating flanges from influencing valve operating torque. Valves shall accept flat faced flanges in accordance with ANSI B16.5 bolt pattern for 150 lb flanges. Valve stem shall be 316 SS, have PP stem retainer for valve stem retention, be non-wetted, and have engagement over the full length of the spherically designed disc. Valves shall be equipped with either Lever handle or Plasgear™ operator for manual operation. For lockout applications, the valve lever handle (sizes 1-1/2" – 8") shall have a molded provision for a padlock. The valve body shall feature 2 molded tag holes for the user. Valves sizes 1-1/2" – 14" shall feature a molded ISO 5211 bolt pattern for accessory mounting. PP shall conform to to ASTM D4101 Cell Classification PPO210B67272.



Type-57AT – Lever

Butterfly Valves



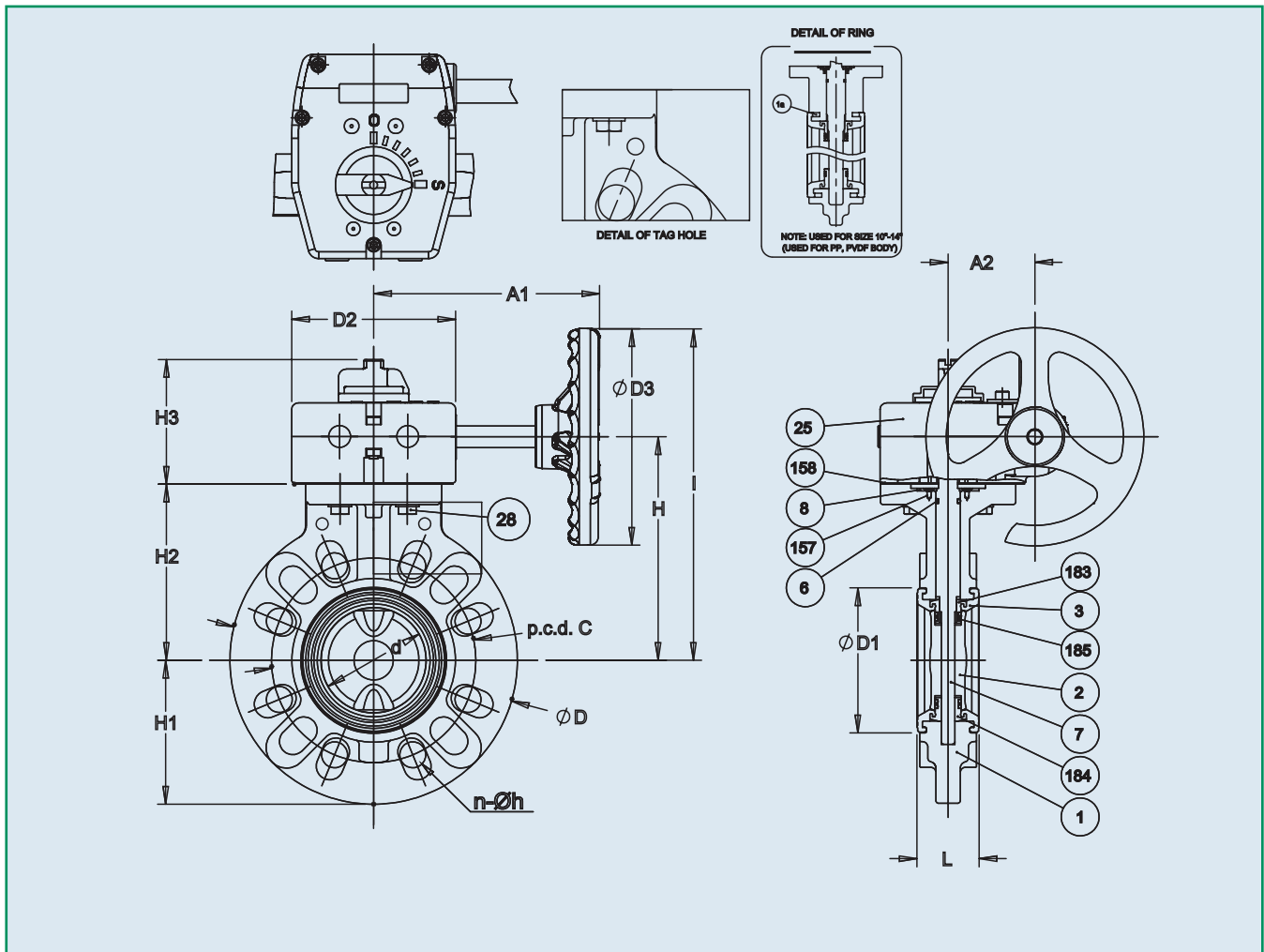
Dimensions (Sizes 1-1/2" – 8") (in.)

Nominal Size Inches	d	ANSI Class 150			D	D1	L	H	H1	H2	H3	A
		C	n	h								
1-1/2"	1.77	3.88	4	0.62	5.91	2.83	1.54	6.14	2.95	3.94	2.20	8.66
2"	2.20	4.75	4	0.75	6.50	3.23	1.65	6.54	3.25	4.33	2.20	8.66
2-1/2"	2.72	5.50	4	0.75	7.28	3.78	1.81	6.93	3.64	4.72	2.20	8.66
3"	3.03	6.00	4	0.75	8.31	4.17	1.81	7.52	4.15	5.31	2.20	9.84
4"	4.02	7.50	8	0.75	9.37	5.31	2.20	8.11	4.69	5.91	2.20	9.84
6"	5.91	9.50	8	0.88	11.22	7.52	2.80	9.92	5.61	7.20	2.72	12.60
8"	7.68	11.75	8	0.88	13.39	9.53	3.43	11.14	6.69	8.43	2.72	15.75

Note: The shape and appearance of assembly differ a little with nominal size compared to the drawing

Type-57AT – Gear

Butterfly Valves



Dimensions (Sizes 1-1/2" – 14") (in.)

Nominal Size	d	ANSI Class 150			D	D1	D2	D3	L	H	H1	H2	H3	I	A1	A2	Number of handle rotations	Gear Box Type
		C	n	h														
1-1/2"	1.77	3.88	4	0.62	5.91	2.83	4.80	6.30	1.54	5.12	2.95	3.74	3.54	8.27	6.57	2.52	9.5	Type 241
2"	2.20	4.75	4	0.75	6.50	3.23	4.80	6.30	1.65	5.51	3.25	4.13	3.54	8.66	6.57	2.52		
2-1/2"	2.72	5.50	4	0.75	7.28	3.78	4.80	6.30	1.81	5.91	3.64	4.53	3.54	9.06	6.57	2.52		
3"	3.03	6.00	4	0.75	8.31	4.17	4.80	6.30	1.81	6.50	4.15	5.12	3.54	9.65	6.57	2.52		
4"	4.02	7.50	8	0.75	9.37	5.31	4.80	6.30	2.20	7.09	4.69	5.71	3.54	10.24	6.57	2.52		
6"	5.91	9.50	8	0.88	11.22	7.52	4.80	6.30	2.80	8.27	5.61	6.89	3.54	11.42	6.57	2.52		
8"	7.68	11.75	8	0.88	13.39	9.53	4.80	6.30	3.43	9.49	6.69	8.11	3.54	12.64	6.57	2.52		
10"	9.84	14.25	12	1.00	16.57	11.89	4.80	6.30	4.33	10.87	8.31	9.49	3.62	14.02	6.57	2.52		
12"	11.93	17.00	12	1.00	19.21	14.17	7.40	11.81	5.08	13.39	9.61	11.73	4.25	19.29	10.71	3.90	Type 243	
14"	13.82	18.75	12	1.12	21.22	15.47	7.40	11.81	5.08	14.45	10.63	12.80	4.25	20.35	10.71	3.90		

Note: The shape and appearance of assembly differ a little with nominal size compared to the drawing