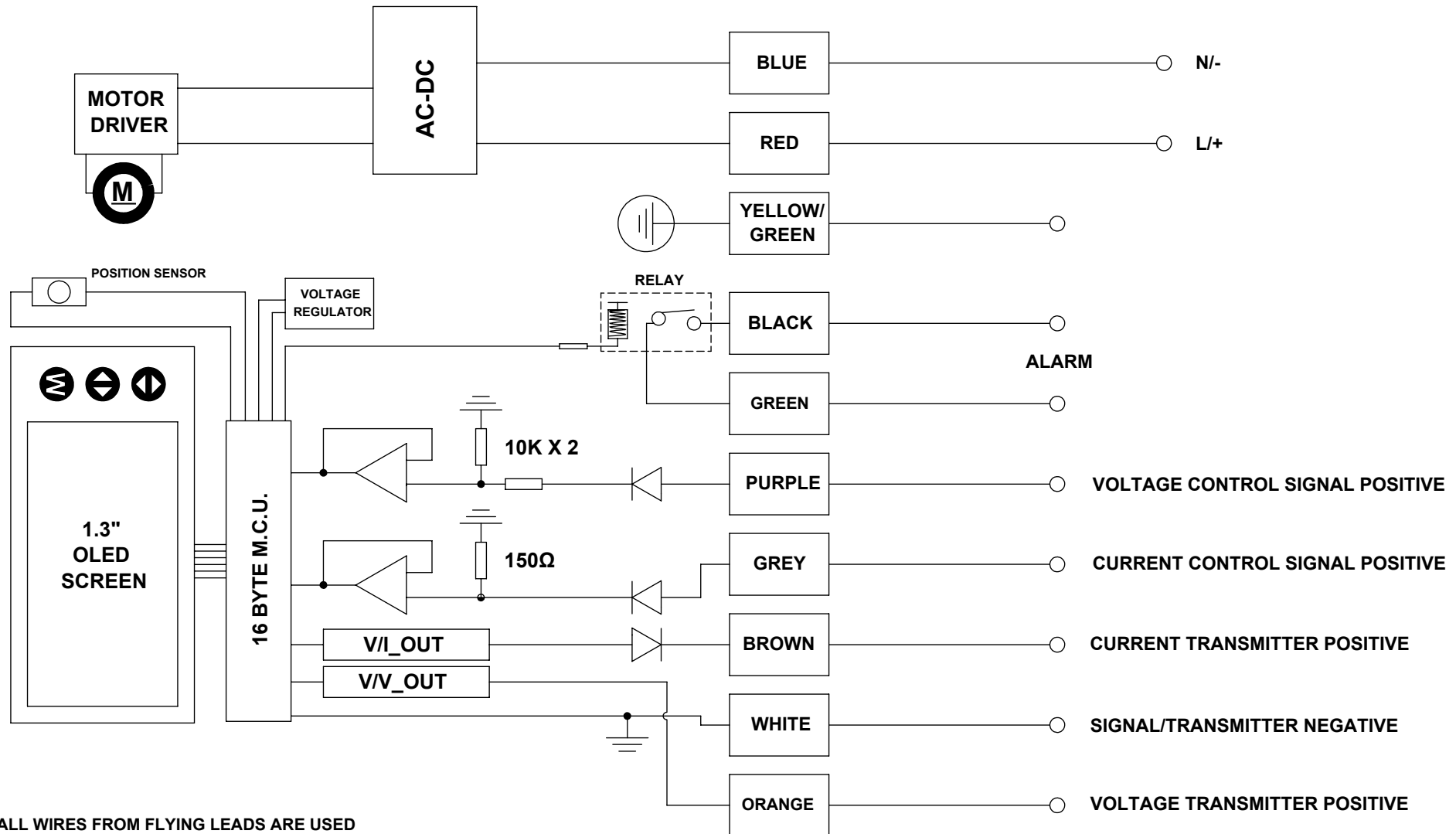


# Series 19 Modulating S50-S110 Wiring Diagram



## NOTES:

1. NOT ALL WIRES FROM FLYING LEADS ARE USED
2. RED AND BLUE ARE POWER SUPPLY
3. PURPLE AND WHITE ARE VOLTAGE CONTROL SIGNAL, ORANGE AND WHITE ARE VOLTAGE TRANSMITTER
4. GREY AND WHITE ARE CURRENT CONTROL SIGNAL, BROWN AND WHITE ARE CURRENT TRANSMITTER
5. 10K RESISTOR SHALL BE USED FOR VOLTAGE TRANSMITTER, OR 250Ω RESISTOR FOR CURRENT TRANSMITTER
6. USER CAN SET "NO CONTROL" DEFAULT POSITION IN FIRMWARE SETTINGS (FAIL IN PLACE, OPEN, CLOSE) FOR 4-20mA, 1-5V, AND 2-10V CONTROL SIGNAL. STANDARD IS FAIL IN PLACE. THIS SETTING IS NOT POSSIBLE IF USING A CONTROL SIGNAL OF 0-20mA, 0-5V, OR 0-10V
7. HEATER IS INTERNALLY WIRED & OPERATIONAL AS LONG AS ACTUATOR IS POWERED