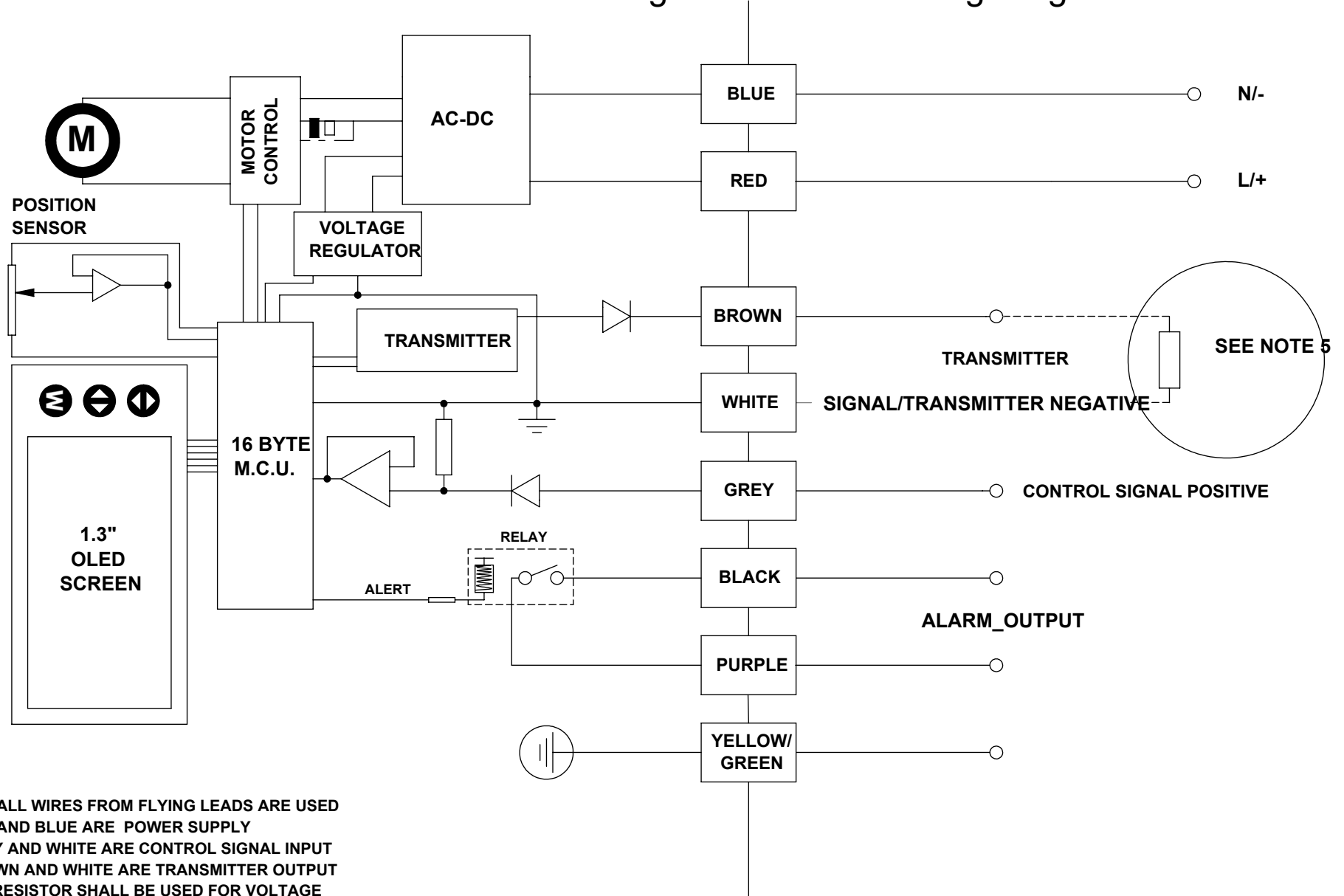


Series 19 Modulating Failsafe S20 Wiring Diagram



NOTES:

1. NOT ALL WIRES FROM FLYING LEADS ARE USED
2. RED AND BLUE ARE POWER SUPPLY
3. GREY AND WHITE ARE CONTROL SIGNAL INPUT
4. BROWN AND WHITE ARE TRANSMITTER OUTPUT
5. 10K RESISTOR SHALL BE USED FOR VOLTAGE TRANSMITTER, OR 250Ω RESISTOR FOR CURRENT TRANSMITTER
6. USER CAN SET "NO CONTROL" DEFAULT POSITION IN FIRMWARE SETTINGS (FAIL IN PLACE, OPEN, CLOSE) FOR 4-20mA, 1-5V, AND 2-10V CONTROL SIGNAL. STANDARD IS FAIL IN PLACE. THIS SETTING IS NOT POSSIBLE IF USING A CONTROL SIGNAL OF 0-20mA, 0-5V, OR 0-10V
7. ACTUATOR WILL CLOSE UPON LOSS OF SUPPLY POWER
8. HEATER IS INTERNALLY WIRED & OPERATIONAL AS LONG AS ACTUATOR IS POWERED