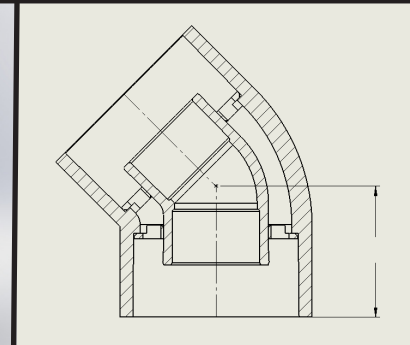
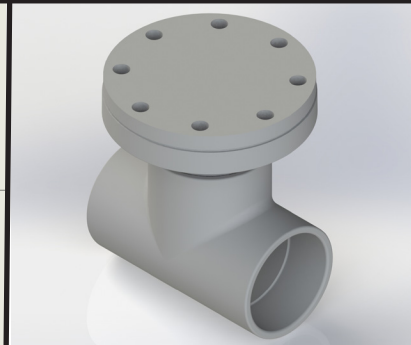
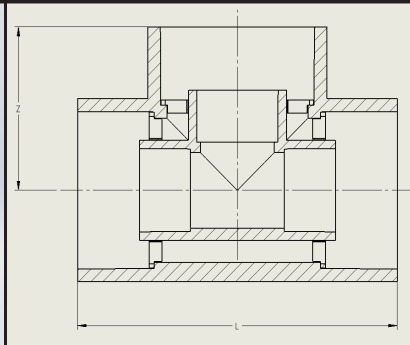
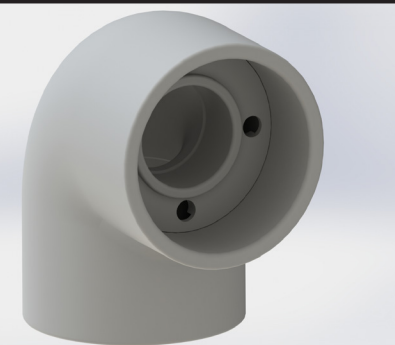


Thermoplastic Piping Systems

Dimension Guide

Pro-Lock®

2020



**Another
Corrosion
Problem
Solved.™**



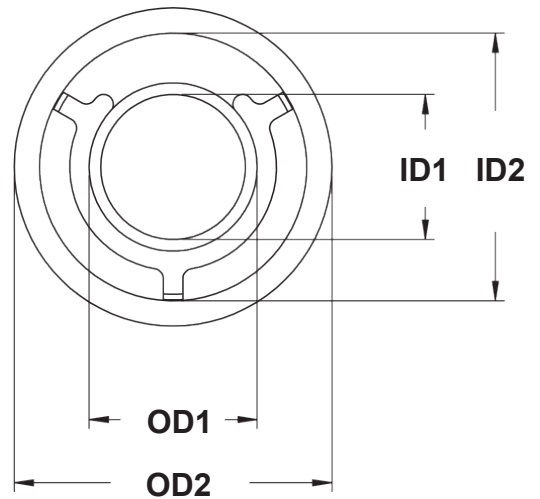
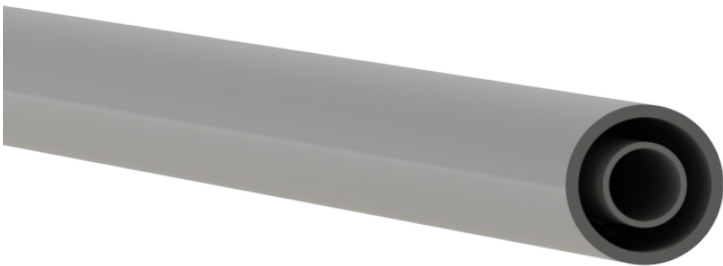
Dimensions are general envelope dimensions and are for reference only. Dimensions may deviate slightly from listed dimensions.

STANDARD CARRIER AND CONTAINMENT COMBINATIONS

Available Systems*

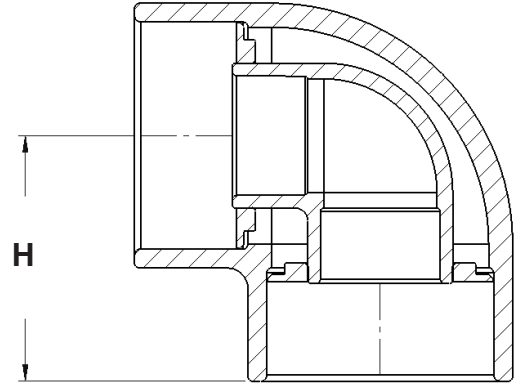
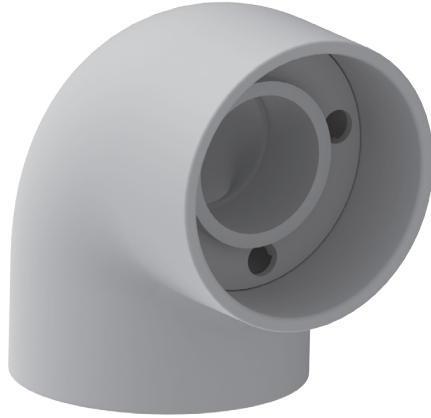
Size Inch	Carrier	PVC SCH80			CPVC SCH80				
	Containment	PVC SCH40	PVC SCH40	PVC SCH80	Clear PVC SCH40	CPVC SCH80	PVC SCH40	PVC SCH80	Clear PVC SCH40
1/2 X 2	-	x	x	x	x	x	x	x	x
1/2 X 3	-	x	x	x	x	-	-	-	-
3/4 X 3	-	x	x	x	x	x	x	x	x
3/4 X 4	-	x	x	x	x	-	-	-	-
1 X 3	x	x	x	x	x	x	x	x	x
1 X 4	x	x	x	x	x	x	x	x	x
1-1/2 X 4	x	x	x	x	x	x	x	x	x
2 X 4	x	x	x	x	x	x	x	x	x
2 X 6	x	x	x	x	x	x	x	x	x
3 X 6	x	x	x	x	x	x	x	x	x
4 X 8	x	x	x	x	x	x	x	x	x

* Custom system sizes are available upon request, please contact factory for details.



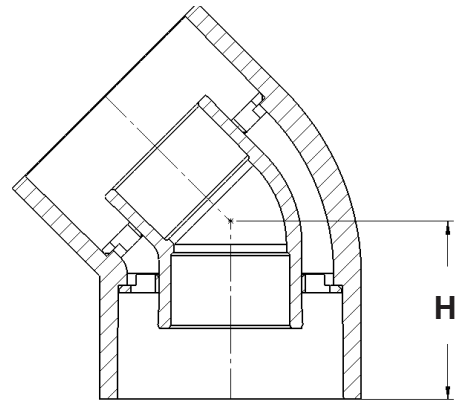
PIPE

Size (In.)	Carrier			Containment				
	OD1 (in.)	SCH40 ID1 (in.)	SCH80 ID1 (in.)	OD2 (in.)	SCH40 ID2 (in.)	Annular Space (in.)	SCH80 ID2 (in.)	Annular Space (in.)
1/2 X 2	0.84	0.60	0.53	2.38	2.05	0.604	1.91	0.55
1/2 X 3	0.84	0.60	0.53	3.50	3.04	1.10	2.86	1.01
1/2 X 4	0.84	0.60	0.53	4.50	4.00	1.58	3.79	1.48
3/4 X 3	1.05	0.80	0.72	3.50	3.04	1.00	2.86	0.90
3/4 X 4	1.05	0.80	0.72	4.50	4.00	1.47	3.79	1.37
1 X 3	1.32	1.03	0.94	3.50	3.04	0.86	2.86	0.77
1 X 4	1.32	1.03	0.94	4.50	4.00	1.34	3.79	1.24
1-1/2 X 4	1.90	1.59	1.48	4.50	4.00	1.04	3.79	0.94
2 X 4	2.38	2.05	1.91	4.50	4.00	0.81	3.79	0.71
2 X 6	2.38	2.05	1.91	6.63	6.03	1.83	5.71	1.67
3 X 6	3.50	3.04	2.86	6.63	6.03	1.27	5.71	1.10
4 X 8	4.50	4.00	3.79	8.63	7.94	1.72	7.57	1.53



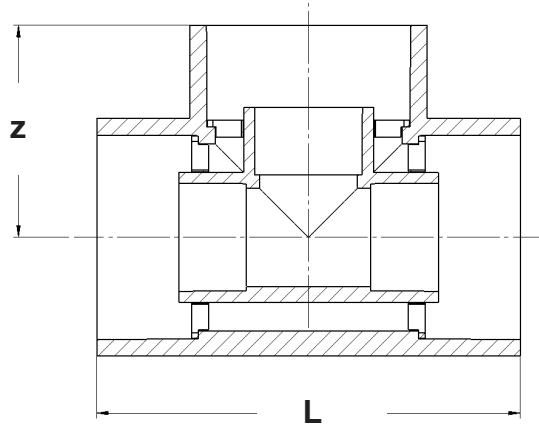
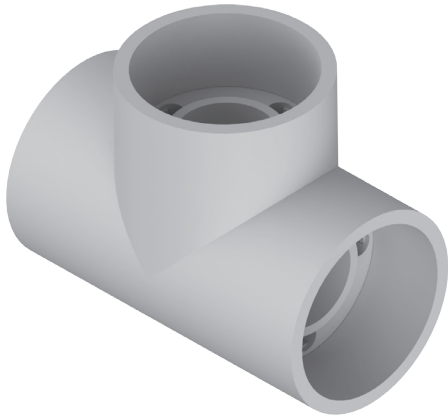
90 DEGREE ELBOW

Size (in)	Dimensions (in.) H
2"	3
3"	4
4"	5
6"	6-1/2
8"	8-3/4



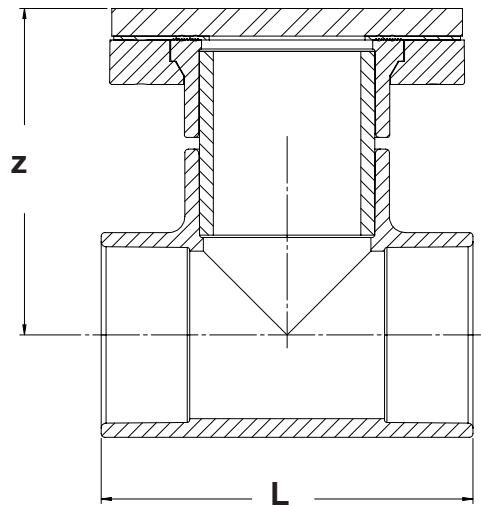
45 DEGREE ELBOW

Size (in)	Dimensions (in.) H
2"	2-1/4
3"	2-3/4
4"	3-1/4
6"	5
8"	6-1/4



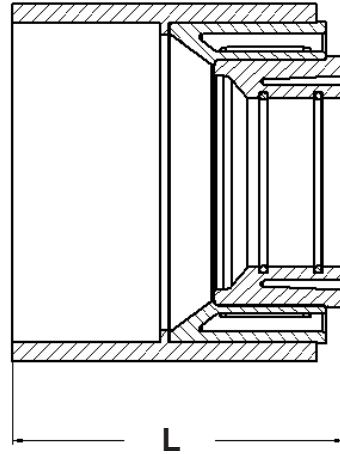
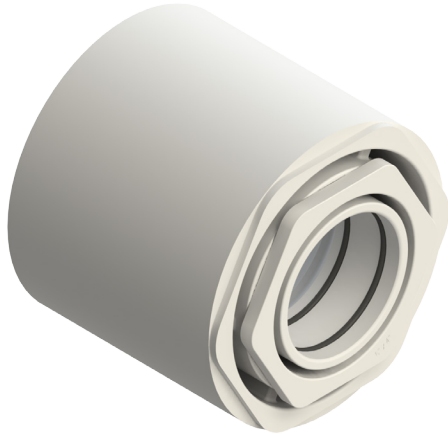
TEE

Size (in.)	Dimensions (in.)	
	z	L
2"	3	6
3"	4	8
4"	4-3/4	9-1/2
6"	6-3/4	13-1/2
8"	8-3/4	17-3/4



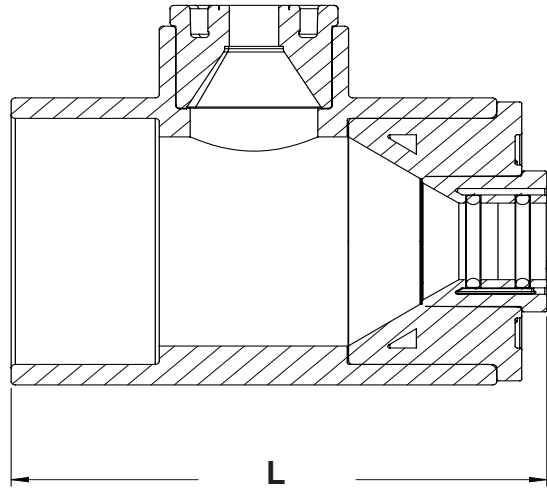
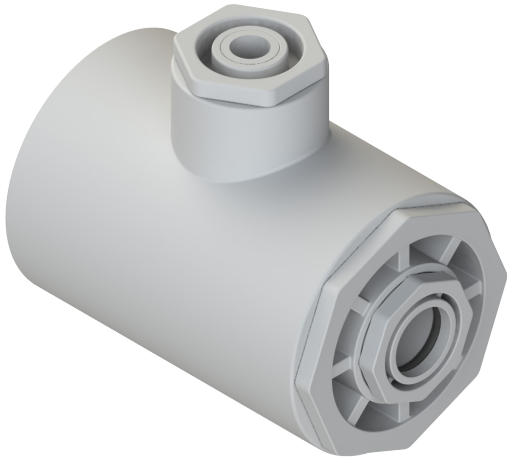
ACCESS TEE

Size (in.)	Dimensions (in.)	
	z	L
2"	7	5-3/4
3"	8	8
4"	8-1/4	9-1/2
6"	11-1/2	13-1/2
8"	13	17-3/4



END TERMINATION

Size (in.)	Dimensions (in.) L
1/2 X 2	4
1/2 X 3	4-1/2
3/4 X 3	4-1/2
3/4 X 4	6
1 X 3	4-1/2
1 X 4	6
1-1/2 X 4	5-1/2
2 X 4	5-1/2
2 X 6	7-1/2
3 X 6	7
4 X 8	9



END TERMINATION WITH TAP

Size (in.)	Dimensions (in.) L
1/2 X 2	5
1/2 X 3	7-1/2
3/4 X 3	6
3/4 X 4	10-1/2
1 X 3	6
1 X 4	10-1/2
1-1/2 X 4	8-1/2
2 X 4	8-1/2
2 X 6	10
3 X 6	9-1/2
4 X 8	18-1/2

Another Corrosion Problem Solved.TM



ASAHI/AMERICA[®]
Your Experts in PlasticsTM

655 Andover St, Lawrence, MA 01843

Tel: 800-343-3618; 781-321-5409

East (800) 232-7244

Direct Sales: Central (800) 442-7244

West (800) 282-7244

Fax: 800-787-6861

www.asahi-america.com

asahi@asahi-america.com
