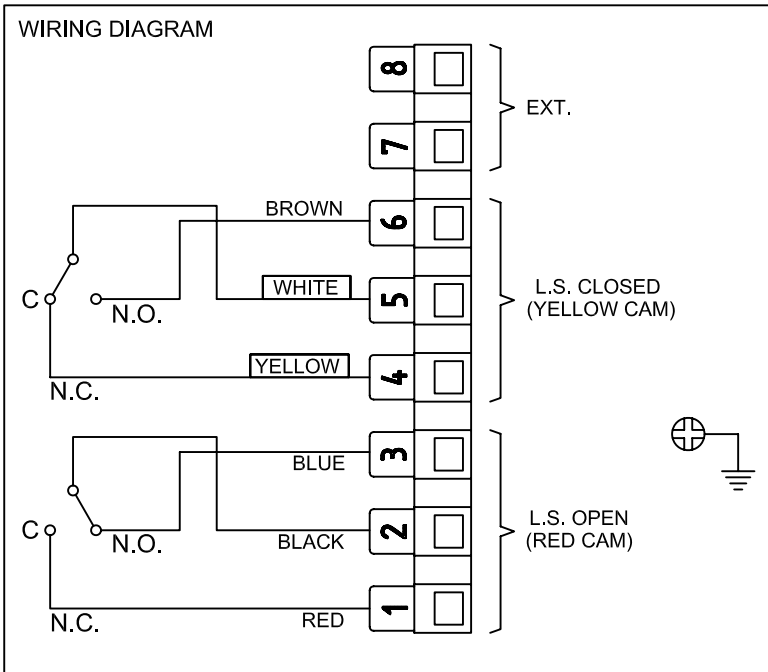
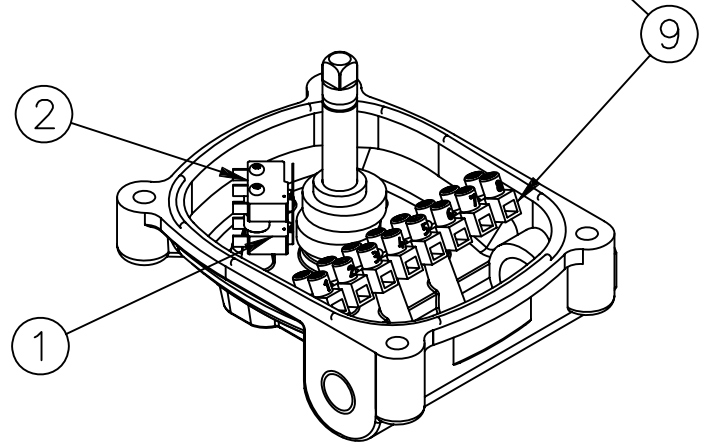
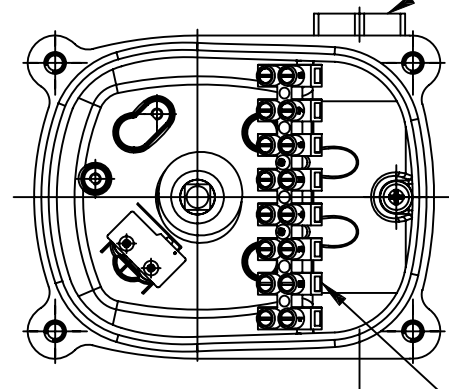
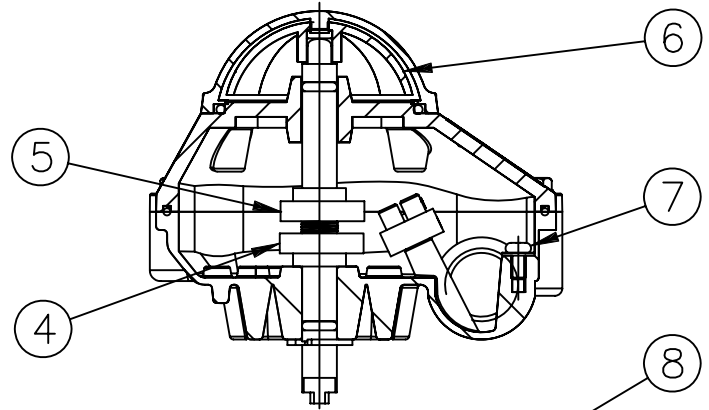


P-Series Limit Switch Installation and Operating Instructions

If limit switch is already installed on actuator, skip to step 2.
Reference Drawing # 2403784

1. Using bracket and fasteners provided, mount limit switch box to top of Namur bracket, then mount bracket/switch box assembly to top of CLOSED pneumatic actuator. Male Namur slot on limit switch shaft will engage with female Namur groove in actuator shaft, 1/2" NPT conduit entries to be inline with long dimension of actuator. Always keep conduit entries on the back side or tag side of the actuator.
Note: Proper Namur mounting bracket must be used based on actuator size.
2. Fully loosen all 4 captive screws that attach cover to base of limit switch box and Remove cover. **DO NOT REMOVE 4 BEACON SCREWS AND BEACON.**
3. Confirm Actuator is in Full Closed Position and Pull-up and rotate spring loaded bottom cam (4) clockwise into bottom limit switch (1) until switch arm clicks and release cam (4). This defines the Full Closed position, and sets the Closed Limit Switch. Do not to bend switch arm when releasing cam (4).
4. Cycle actuator to Open position.
5. Push-down and rotate top spring loaded cam (5) counterclockwise into top limit switch (2) until switch arm clicks, and release cam (5). This defines the Full Open position and sets the Open Limit switch. Do not to bend switch arm when releasing cam (5).
6. For ease of wiring, Quantity (2) 1/2" NPT conduit entries (8) are provided. Install proper 1/2" NPT conduit fitting into conduit entry using sealing tape or sealant.
7. Terminate wires according to wire diagram, taking care to follow all National Electrical codes that apply to your area. A ground screw (7) has been provided for a chassis ground. Check all screws for tightness.
Note: Wiring diagram also affixed to inside cover of Limit Switch box.
8. Re-install cover, taking care not to pinch any wires, and confirming that position of position indicator beacon (6) agrees with calibrated position of limit Switch.

N°	Description
1	LIMIT SWITCH CLOSED
2	LIMIT SWITCH OPEN
4	CLOSE LIMIT SWITCH CAM (ADJUSTABLE)
5	OPEN LIMIT SWITCH CAM (ADJUSTABLE)
6	POSITION INDICATOR (BEACON)
7	EARTH CONNECTION (GROUND)
8	(2) CONDUIT ENTRY (1/2" NPT)
9	TERMINAL STRIP



THIS DRAWING AND ALL INFORMATION HEREON IS THE PROPERTY OF ASAHI/AMERICA. ANY COPYING, REPRODUCTION OR UNAUTHORIZED USE IS FORBIDDEN WITHOUT WRITTEN CONSENT.

	NAME	DATE
DR	JOHN GLASSFORD	7/10/07
APPD	DAVE HURLEY	7/10/07
PROD	LED LESTER	7/10/07
WO#/SO#		
FILE		

ASAHI/AMERICA

ISO 9001 CERTIFIED

35 GREEN STREET, P.O. BOX 653, MALDEN, MA.



P-SERIES LIMIT SWITCH BOX
WIRING DIAGRAM & ASSEMBLY

SIZE	A	DWG. NO.	2403784	REV	A
SCALE	NONE	SHEET 1 OF 1			