

# Quarter Master Chief Series 92 Actuator



## Installation, Operation and Maintenance Manual



# Table of Contents

<b>Series 92 Electric Actuator Introduction .....</b>	<b>3</b>
Description .....	3
Electrical Requirement .....	3
<b>Installation .....</b>	<b>4</b>
Electrical.....	4
Type 21 Ball Valve .....	5
Type 23 Ball Valve (3-way).....	5
Type 57 / 57L Butterfly Valves.....	5
Actuator Mounting Dimensions.....	7
<b>Operation .....</b>	<b>8</b>
Manual Override Operation .....	8
Setting Limit Switches .....	8
Options.....	8
Single Limit Switch.....	9
Double Limit Switch .....	9
Heater and Thermostat.....	9
RHM .....	10
Mechanical Brake .....	10
Feedback Potentiometer.....	10
Series 92 Options Codes for Serial # Tags.....	11
Troubleshooting.....	12
<b>Maintenance.....</b>	<b>13</b>
<b>ATEX Requirements .....</b>	<b>13</b>
Spare Parts .....	14

## **Series 92 Electric Actuator Introduction**

### **Description**

The Series 92 electric actuators feature a reversing, capacitor run motor, with a permanently lubricated gear train, and hardened steel spur gears. These actuators are equipped with integral thermal overload protection (AC models) with automatic reset, independently adjustable limit switches, declutchable manual override, beacon position indication, baked powder epoxy coating with stainless steel trim, ISO bolt circle, and 2 (two) ½" NPT conduit entries.

#### **Units built prior to 8/1/2017 (x92W):**

Standard models are offered in 120 VAC, feature a UL508 NEMA Type 4X enclosure, and provide up to 2000 in-lbs. of output torque (optional UL1203 enclosure for Hazardous Locations also available).

Various options are available such as operating voltages, additional limit switches, heater and thermostat, feedback potentiometers, etc. Please see page **8** regarding these options.

#### **Units built post 8/1/2017 (x92RHMW):**

Standard models are offered in 120 VAC, feature an RHM package, a UL508 NEMA Type 4X enclosure, and provide up to 2000 in-lbs. of output torque (optional UL1203 enclosure for Hazardous Locations also available).

The RHM Package is a combination Heater and Thermostat, and 2-SPDT 8A auxiliary switches that are a dry contact. Please see page **??** for details.

Various options are available such as operating voltages, feedback potentiometers, etc. Please see page **8** regarding these options.

### **Electrical Requirement**

**WARNING:** Do not open actuator cover while circuits are energized.

**CAUTION:** Proper voltage must be supplied to actuator or damage will result.



**CAUTION:** In pulse power applications, the Series 92RHM will only power the Heater and Thermostat at the end of travel.

**CAUTION:** If 120vac & 220vac models are PLC driven, output contacts of PLC should be rated at a minimum of 1.5 times required input voltage of actuator

**NOTE:** To conform to various electrical codes, a **green grounding screw** has been provided (on the baseplate) inside of actuator.

**Terminal Strip Wiring:** 75° C Copper Supply Wires up to #14 AWG, wired as per the attached diagrams or the wiring diagram affixed inside of actuator cover. Control Wiring shall be insulated with conductors rated 105° C, 300 V minimum. Torque Terminal Strip Wiring to 5 in-lbs.

Model	Torque (in/lbs)	120 Vac		220 Vac		12 Vdc		24 Vdc		12 Vac		24 Vac		Cycle Time per 90 Degrees (seconds)
		Amp Draw	Duty Cycle	Amp Draw	Duty Cycle	Amp Draw	Duty Cycle	Amp Draw	Duty Cycle	Amp Draw	Duty Cycle	Amp Draw	Duty Cycle	
S92	400	0.5	100%	0.4	100%	2.0	75%	4.0	75%	2.0	75%	3.0	75%	15
A92	700	0.8	75%	0.6	75%	2.0	75%	4.0	75%	2.0	75%	3.0	75%	15
B92	1100	0.5	100%	0.4	100%	2.0	75%	4.0	75%	2.0	75%	3.0	75%	32
C92	2000	1.0	50%	0.6	50%	2.0	75%	4.0	75%	2.0	75%	3.0	75%	32

NOTE: Amp rating is considered locked rotor.

Duty cycles are for ambient temperature (73°F)

## Installation

### Electrical

#### **Reference Drawing #289S92**

#### **Models S-92, A92, & B92**

1A. To gain access to terminal strip (Part #24) it is necessary to remove manual override knob (Part #18) by loosening slotted setscrew (Part #39). Remove 8 cover screws and lift off cover (torque cover/base screws to 120 in-lbs when finished wiring up unit).

**Note:** Failure to properly tighten cover/base flange fasteners to 120 in/lbs may compromise the certified safety factors of the actuator.

#### **Model C92**

1B. To gain access to terminal strip it is necessary to remove manual override hand wheel (Part #18A) by loosening slotted setscrew (Part #39). Remove cam (Part #51) by loosening 2 set screws (Part #52). Remove 8 cover screws and lift off cover. (torque cover/base screws to 120 in-lbs when finished wiring up unit).

#### **All Models**

2. Make electrical connections to terminal strip as shown on wiring schematic located inside the cover (per various electrical codes there is a green screw on the actuator base plate for grounding purposes). Terminals are suitable for up to #14 AWG wire. All units are completely calibrated prior to shipment, and no internal adjustments should be required.

3. For United States units, Install 1/2" NPT conduit fitting(s) to actuator base. For ATEX Certified EU units, Install 1/2" NPT conduit fitting(s), to actuator base.

**NOTE:** Proper conduit fitting must be used to maintain enclosure rating and not compromise the certified safety factors of the actuator (weatherproof, explosion proof or combination weather proof/explosion proof).

**NOTE:** We recommend sealing conduit openings on units installed outdoors or exposed to large temperature swings (15°F or more).

We also recommend the Heater and Thermostat option in these applications.

4. Replace actuator cover, and install 8 cap screws supplied and tighten securely to 120 in/lbs. For outdoor or wet locations it is recommended prior to replacing the cover that the top shaft seal be cleaned and coated with silicone grease. Also clean shaft and lightly coat seal area of shaft with silicone grease. Unit is now ready for operation.

### **Type 21 Ball Valve**

Position the valve and the actuator to corresponding positions (either OPEN or CLOSED). The flats on the actuator shaft extension indicate valve position

#### **Type 21 Ball Valves (See Drawing #0107BV sizes ½" – 2")**

Install mounting bracket #3 to actuator #2 using bolts #8 and washers #9. Insert coupling #4 on stem of valve #1 and then bolt valve #1 to mounting bracket #3 using bolts #5, nuts #7, and washers #6.

**Note:** All bolts should be snug and not excessively over tightened.

#### **Type 21 Ball Valves (See Drawing #0113BV sizes 2-1/2" - 4")**

Install mounting bracket #3 to actuator #2 using bolts #8 and washers #9. Insert coupling #4 on stem of valve #1 and then bolt valve #1 to mounting bracket #3 using bolts #5, nuts #7, and washers #6.

**Note:** All bolts should be snug and not excessively over tightened.

### **Type 23 Ball Valve (3-way)**

Position the valve and the actuator to corresponding positions (either OPEN or CLOSED). The flats on the actuator shaft extension indicate valve position

#### **Type 23 Ball Valves (3-way): (See Drawing #0130BV, sizes ½" - 4")**

Install mounting bracket #3 to actuator #2 using bolts #8 and washers #9. Insert coupling #4 on stem of valve #1 and then bolt valve #1 to mounting bracket #3 using bolts #5, nuts #7, and washers #6.

### **Type 57 / 57L Butterfly Valves**

**CAUTION:** If valve is in line, system must be shut down and have no line pressure before removing throttle plate and retaining washer.

Position the valve and the actuator to corresponding positions (either OPEN or CLOSED). The flats on the actuator shaft extension indicate valve position

**Butterfly Valves (See Drawing # 0200BF57 sizes 1-1/2" - 6")**

No specially machined stem or valve body drilling required. Remove handle (remove handle cap and hex head bolt) to expose throttle plate screws. Remove throttle plate and retaining washer to expose existing bolt pattern.

Mount bracket #3 to actuator #2 with bolts #8 and washers #9 and tighten evenly. Insert coupling #4 into actuator #2. Install valve #1 onto mounting bracket #3 and align stem of valve to engage with coupling. (Line scribed on top of stem indicates disc orientation). Install bolts #5, washers #6 and nuts #7 and tighten evenly. Flats on actuator shaft indicate valve position. (Disc Orientation)

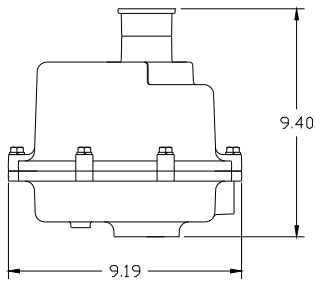
**Butterfly Valves (See Drawing #0168BF57 8" size)**

No specially machined stem or valve body drilling required. Remove gear operator by removing 4 thru bolts in body of valve to gear operator and lift off. Mount bracket #2 to actuator #10 using bolts #7 and washers #8. Insert actuator shaft adapter #9 into actuator #10. Install valve #1 to mounting bracket #2 and align stem of valve to engage with coupling. (Line scribed on top of stem indicates disc orientation). Install bolts #3, washers #4 & #5 and nuts #6 and tighten evenly. Flats on actuator shaft indicate valve position. (Disc Orientation)

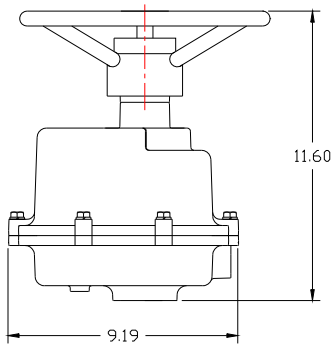
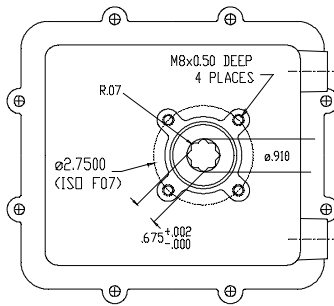
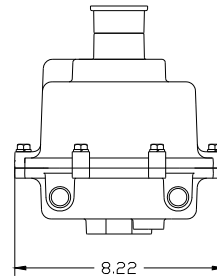


**CAUTION:** If mounted unit is installed other than straight up, the actuator should be supported independently to prevent side loading and loosening up of fasteners.

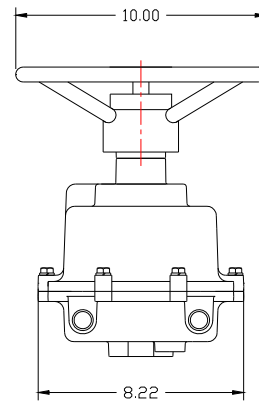
### Actuator Mounting Dimensions



S92, A92, & B92



C92



## Operation

### Manual Override Operation Reference Drawing #289S92

#### Models S-92, A92, & B92

Pull up the declutching knob (Part #18) and apply a 5/8" open end wrench to exposed flats and rotate within labeled limits as indicated by arrows.

To re-engage simply rotate actuator shaft in the opposite direction until declutching knob drops back down into position.

#### Model C92

Push down on hand wheel (Part #18A) and rotate within labeled limits.

To re-engage simply rotate actuator hand wheel until it moves up and re-engages.

**CAUTION:** The manual override should only be used when there is no power applied to actuator. When power is restored the actuator will automatically resume normal operation.

### Setting Limit Switches Reference Drawing #289S92



#### **Disconnect power!**

#### **Open Travel Limit Switch** (Top Switch Part #25):

Using declutchable manual override, move the valve into a full open position. Then loosen set screws on top cam (Part #40) and rotate cam (CCW) into limit switch arm until a click is heard, this designates the switch circuit has opened and defines a full open position. Tighten 2 set screws (Part #40) on cam.

#### **Close Travel Limit Switch** (Bottom Switch Part #25):

Using declutchable manual override, move the valve to a full closed position, loosen set screws on bottom cam (Part #40) and rotate cam (CW) into limit switch arm until a click is heard, this designates the switch circuit has opened and defines a full closed position. Tighten 2 set screws (Part #40) on cam.

Manually position valve to midstroke. Reapply power to actuator and drive to open or closed position. Actuator motor will run. The shaft will not turn until drive pins (Part #7) reseat in drive gear. This could take up to 32 seconds.

## Options

### Models S92, A92, B92, C92



### Single Limit Switch

*This procedure is for units built before 8/1/2017*

**Reference Drawing Number 0042EL**

Install additional limit switch on posts on opposite side of standard limit switches using screws provided.



Wiring for switch is as follows:

Pink = Common to Terminal #6  
Purple = NC to Terminal #7  
Blue = NO to Terminal #8

***Cam must be set so that this switch is tripped just ahead of Closed limit switch.***

### Double Limit Switch

*This procedure is for units built before 8/1/2017*

**Reference Drawing Number 0042EL**

Installation and wiring is the same as for the single limit switch, with the addition of wiring of the second switch as follows:



Brown = Common to Terminal #9  
Green = NC to Terminal #10  
Orange = NO to Terminal #11

***Cam must be set so that this switch is tripped just ahead of Open limit switch.***

Wire tie loose wiring and check operation before installing cover.

### Heater and Thermostat

*This procedure is for units built before 8/1/2017*

**Reference Drawing Number 0042EL**

#### **Models S92 & A92**

Install Heater into threaded hole located between actuator base gasket and motor module.



Wiring is as follows:

Heater lead = Terminal #12

Wire tie loose wiring and check operation before installing cover.

#### **Models B92 & C92**

Install Heater into threaded hole located between actuator shaft and motor module.

Wiring is as follows:

Heater lead = Terminal #12

Thermostat lead = Terminal #13

Wire tie loose wiring and check operation before installing cover.

### **RHM**

**For units built post 8/1/2017**

**Reference Appropriate Drawing Number:**

**M00EL9900 - x92RHM 12vac & 24vac**

**M00EL9901 - x92RHM 12vdc & 24vdc**

**M00EL9902 - x92RHM 120vac & 220vac**

The RHM is a combination heater and thermostat, and 2-SPDT dry contacts for the open and closed positions. Its best feature is to provide a means of powering the heater and thermostat without the need of additional wiring. When the actuator reaches end of travel, the NO contact on the travel switch is tripped, and provides power for optional light indication. At the same time, the appropriate relay is triggered providing dry contact position indication as well as powering the heater and thermostat. The heater and thermostat are not powered during travel, only at the end of travel. This is a standard feature on Series 92 Automated Valves produced from 7/1/2017. Units provided prior to 7/1/2017 do not have this RHM feature.

### **Mechanical Brake**

Loosen two (2) motor screws diagonally from each other and install bracket with tabs facing upward. Tighten screws

Install hexagonal adapter over armature shaft and tighten set screws.

**NOTE:** The adapter should be resting on the step of the armature shaft.

Install brake assembly onto hexagonal adapter making sure that the brake assembly is sitting flush on the bracket. Tighten with supplied screws.

Remove motor leads "A" & "B" from capacitor and install "piggy back connectors to capacitor, the re-install motor leads to their original locations.

Connect brake leads to piggy back connectors on capacitor (orientation does not matter)

Wire tie loose wiring and check operation before installing cover.

### **Feedback Potentiometer**

Using 4-40 x 3/8 hardware, install potentiometer and bracket on standoffs by limit switches, with potentiometer gear facing output shaft.

Install drive gear face down over output shaft.

Wiring for potentiometer as follows:

#1 on potentiometer (black)      #14 on terminal strip.

#2 on potentiometer (white)      #15 on terminal strip.  
 #3 on potentiometer (red)      #16 on terminal strip.

Using multimeter set at 2k ohms, calibrate potentiometer with leads from meter connected to terminals #15 and #16. With actuator in closed position multimeter should read between 95 and 100 ohms.

Rotate actuator 90 degrees (open position).

Connect leads from multimeter to terminal #14 and #15; multimeter should read 95 to 100 ohms.

If necessary adjust open limit switch cam so that multimeter will read 95-100 ohms.

**Series 92 Options Codes for Serial # Tags**

M1	1 extra limit switch
M2	2 extra limit switches
HT	Heater & thermostat
RHM	RHM Module
P	Feedback potentiometer
C1	4-20 mA Positioner
C3	4-20mA Output Transmitter
BR	Mechanical brake
CO	Center off
CL	Cycle length control
2W	2-wire control
FS	Failsafe Battery Pak

Units built prior to 8/1/2017 utilize M1, M2, and HT  
 Units built post 8/1/2017 utilize RHM

Example 1: S92**HTPW**

NEMA Type 4X enclosure, heater & thermostat and feedback potentiometer installed (prior to 8/1/2017)..

Example 2: A92**RHMBRXW**

RHM Module, Hazardous Location enclosure, and mechanical brake installed (post 8/1/2017).

## **Troubleshooting**

**WARNING: Do not open actuator cover while circuits are energized.**

**Q:** *What if there is no output, but the motor runs?*

**A:** Manual override possibly engaged.

When the manual override is engaged, the motor will run, but no output will be observed until the manual override re-engages with the output shaft.

**A:** Valve stem broken. When the valve stem is broken, there will not be a change in fluid movement, making it seem as if the actuator has no output..

**Q:** *What if valve does not cycle?*

**A:** No power source to actuator. Check for power.

**A:** Power source disconnected. Check for broken wire, loose connection or no connection as per appropriate wiring diagram.

**A:** Low or wrong power source. Check for proper voltage.

**A:** Mechanical Brake jammed or misaligned. Check alignment of brake assembly.

This could occur during installation when someone would rest their hand on the Mechanical Brake to steady themselves.

**Q:** *What if there is water and/or moisture inside of the unit?*

**A:** Conduit fitting installed improperly. Re-install correctly.

**A:** Cover and/or base seal damaged. Replace damaged seal(s).

**A:** Base gasket damaged or installed improperly. Check gasket and replace if necessary.

**A:** Temperature swings of more than 15 degrees F. Install heater and thermostat to eliminate condensation.

When these temperature swings occur, the unit will “sweat” on the inside causing internal corrosion unless the actuator is equipped with a heater and thermostat to keep a constant temperature inside of the housing.

**A:** Unit has been submerged. Raise unit above liquid level.

An actuator that is to be submerged MUST meet NEMA Type 6 for the proper protection of the actuator and the elimination of a potential hazard. We do not recommend submerging the Series 92 Actuator as the electrical rating does not meet NEMA 6.

**Q:** *What if unit is oscillating?*

**A:** Valve torque exceeds output torque of actuator. Check for chemical compatibility of valve, and flange torque.

**Q:** *What if thermal overload frequently cuts out motor?*

**A:** Frequency of operation exceeds duty cycle rating. Check cycling period.

**A:** Unit is oscillating. Refer to above.

**Q:** *What if motor hums and no output is observed?*

**A:** Foreign material caught in valve. Remove material and inspect valve for damaged and/or worn parts. Replace parts as necessary.

**A:** Unit wired incorrectly (simultaneously powering open and closed). Check wiring as per appropriate wiring diagram.

**A:** Capacitor worn. Replace.

**Q:** *What if actuator “over-shoots” limit switches without stopping?*

**A:** Actuator wired in parallel to each other. Please note that each actuator requires it's own set of switch contacts.

## **Maintenance**

### **Disconnect power!**



**WARNING: Do not open actuator cover while circuits are energized.**

**CAUTION:** It is imperative for reducing the chance of electrical shock, and to prevent ignition of hazardous atmospheres that you

### **Disconnect power**

**before** any maintenance or repairs are performed.


Series 92 actuators are virtually maintenance free. We do however, recommend that periodic checks are made to ensure that all fasteners are tight and properly torqued to extend the life of the actuator and valve.

Series 92 Actuators are manufactured with factory lubricated grease in the gear case and gearbox. In most cases, this lubricant should never have to be replenished, however if deemed necessary, we recommend using Aeroshell Grease #33 MS, mfg. by Shell Oil Co.

Consult our technical department before replenishing lubricant.

For outdoor or wet locations keep top and bottom seals coated with a silicone based grease.

## **ATEX Requirements**

 **II 2 G**  
**Ex d IIB T4**

### **Service/Maintenance/Inspection Requirements Translation Requirements**

Above directive for hazardous location service electric actuators, for use throughout the European Union.

All electric actuators are to be used for remote operation of a valve to open or closed positions. Any other uses are not approved by Asahi/America, Inc.

Every 250,000 cycles or 10 years whichever comes first, the actuator must be removed from service and sent back to Asahi/America, Inc. for inspection of wear of bearings as they relate to joints and gaps in accordance with above directive. Any units not within normal tolerances, will need to be re-built or replaced at the users expense.

Translations are in effect for the Atex product. If the ATEX actuator is to be used in any 1 of the 26 EU countries where English is not the primary language, it is the responsibility of the furnishing distributor to provide translated copies of this O & M manual.

**Spare Parts**  
**Reference Drawing #289S92**

We recommend that the following be kept on hand as spare parts.

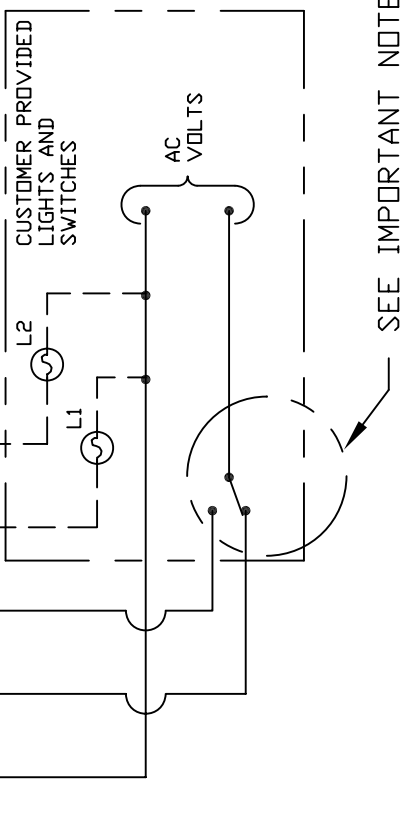
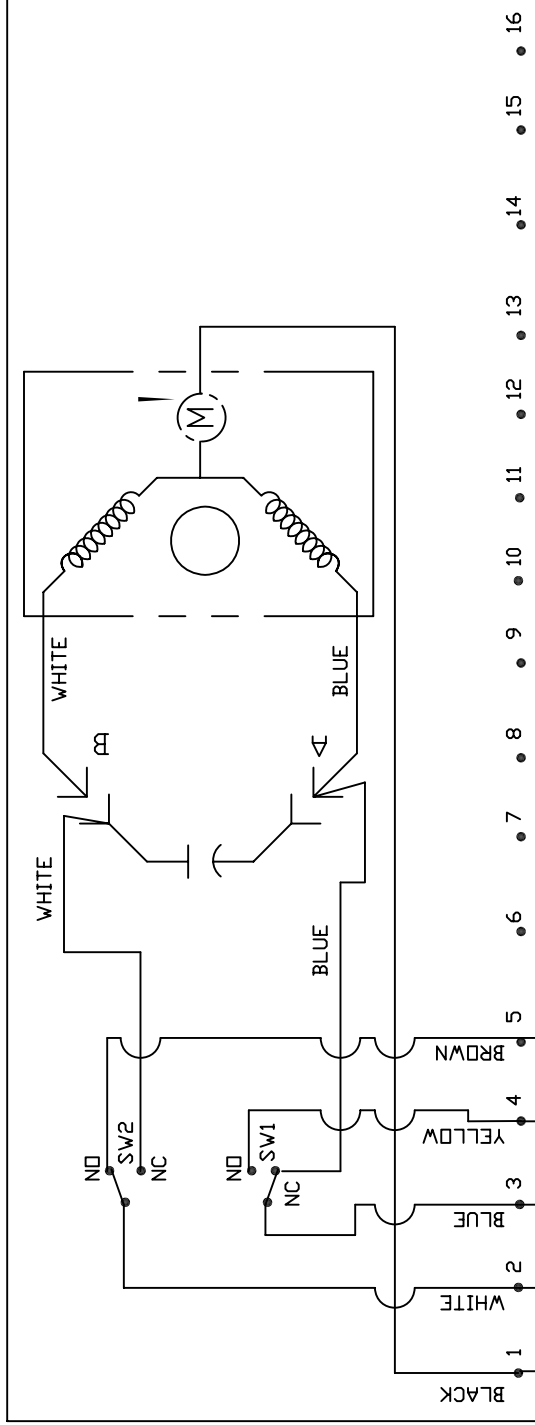
- 1 --- Limit Switch (Part #25)
- 1 --- Capacitor (Part #27 or #28)

**NOTE:** When ordering replacement motor parts and/or options specify model #, Serial #, and voltage.

**Attachments:**

13 drawings: 0043EL, 0044EL, 0042EL, M00EL9900, M00EL9901,  
M00EL9902, 0107BV, 0113BV, 0130BV, 0168BF57, 0200BF57, 289S92,  
M00EL610

WIRING DIAGRAM FOR 115 VAC AND 220 VAC ONLY  
 ACTUATOR SHOWN IN COUNTER-CLOCKWISE EXTREME OF TRAVEL, OR "OPEN" POSITION



NOTE:

1. EACH ACTUATOR MUST BE POWERED THRU ITS OWN INDIVIDUAL SWITCH CONTACTS TO AVOID CROSS FEED.
2. WIRING AS SHOWN IS FOR S92 & A92 MOTOR LEADS AT "A" AND "B" ARE REVERSED FOR B92 AND C92.
3. MOTOR HAS A THERMAL PROTECTOR AS SHOWN BY (M) IN DIAGRAM.
4. TORQUE TERMINAL STRIP WIRING TO 5 IN-LBS.
5. CONTROL WIRING SHALL BE INSULATED WITH CONDUCTORS RATED 105°C, 300V MINIMUM.
6. 75°C COPPER SUPPLY WIRES ONLY.

ASAHI/AMERICA

ISO 9001 CERTIFIED  
 35 GREEN STREET, P.O. BOX 653, MALDEN, MA.



SERIES 92 WIRING DIAGRAM  
 120/220 VAC

SIZE A DWG. NO. 0043EL REV B

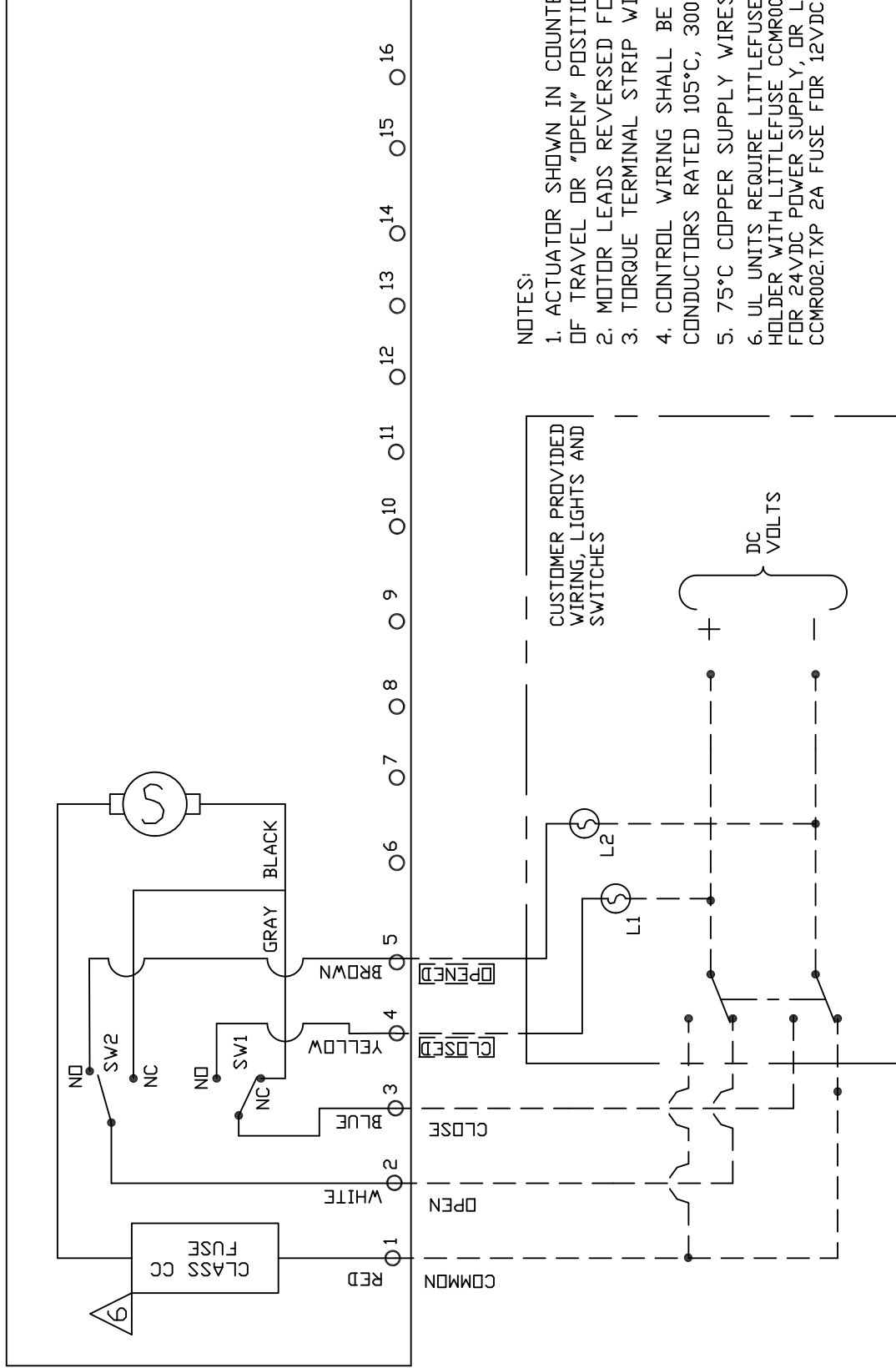
SCALE NTS

SHEET 1 OF 1

THIS DRAWING AND ALL INFORMATION  
 HEREON IS THE PROPERTY OF  
 ASAHI/AMERICA. ANY COPYING,  
 REPRODUCTION OR UNAUTHORIZED USE  
 IS FORBIDDEN WITHOUT WRITTEN  
 CONSENT.

NAME	DATE
DR JOHN GLASSFORD	6/18/07
APPD DAVE HURLEY	6/18/07
PROD LEO LESTER	6/18/07
WO#/CO#	
FILE	

DC WIRING DIAGRAM



NOTES:

1. ACTUATOR SHOWN IN COUNTER CLOCKWISE EXTREME OF TRAVEL OR "OPEN" POSITION.
2. MOTOR LEADS REVERSED FOR 1100 & 2200 IN-LBS.
3. TORQUE TERMINAL STRIP WIRING TO 5 IN-LBS.
4. CONTROL WIRING SHALL BE INSULATED WITH CONDUCTORS RATED 105°C, 300V MINIMUM.
5. 75°C COPPER SUPPLY WIRES ONLY.
6. UL UNITS REQUIRE LITTLEFUSE L60030C1C FUSE HOLDER WITH LITTLEFUSE CCMR004.TXP 4A FUSE FOR 24VDC POWER SUPPLY, OR LITTLEFUSE CCMR002.TXP 2A FUSE FOR 12VDC POWER SUPPLY

**ASAHI/AMERICA**

ISO 9001 CERTIFIED  
35 GREEN STREET, P.O. BOX 653, MALDEN, MA.



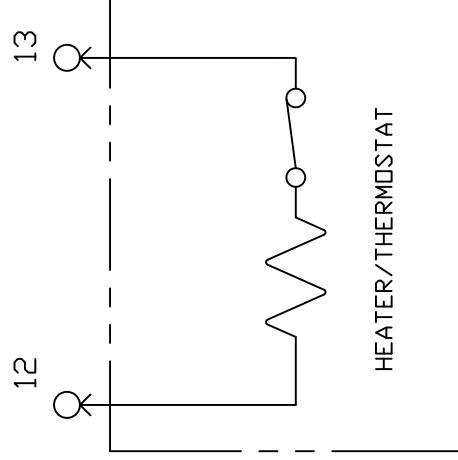
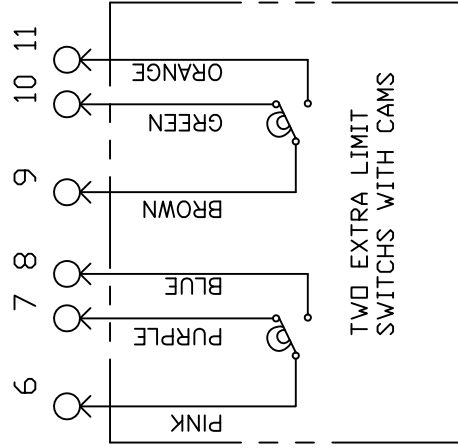
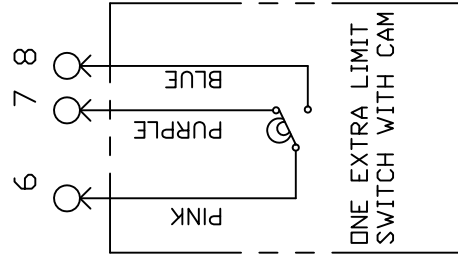
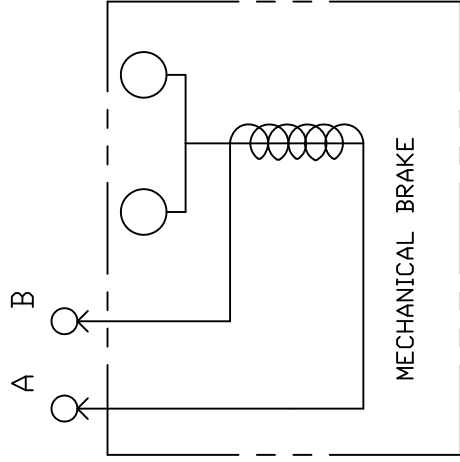
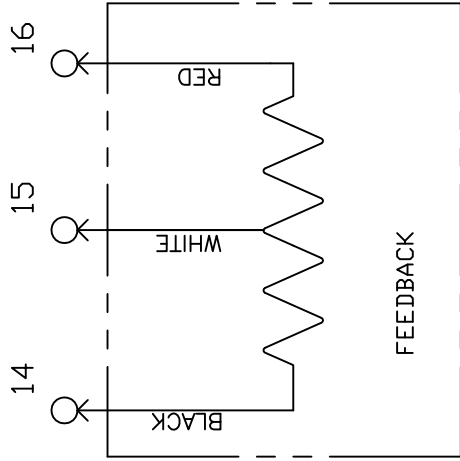
SERIES 92 WIRING DIAGRAM  
12/24 VDC

THIS DRAWING AND ALL INFORMATION HEREON IS THE PROPERTY OF ASAHI/AMERICA. ANY COPYING, REPRODUCTION OR UNAUTHORIZED USE IS FORBIDDEN WITHOUT WRITTEN CONSENT.

NAME	DATE
DR JOHN GLASSFORD	1/8/08
APPD KEN BLYSTONE	1/8/08
PROD	
WO#/CO#	
FILE	

SIZE A	DWG. NO. 0044EL	REV E
SCALE NTS	SHEET 1	OF 1





NOTES:

1. TORQUE TERMINAL STRIP WIRING TO 5 IN.-LBS.
2. CONTROL WIRING SHALL BE INSULATED WITH CONDUCTORS RATED 105°C, 300V MINIMUM.
3. 75°C COPPER SUPPLY WIRES ONLY.

THIS DRAWING AND ALL INFORMATION HEREON IS THE PROPERTY OF ASAHI/AMERICA. ANY COPYING, REPRODUCTION OR UNAUTHORIZED USE IS FORBIDDEN WITHOUT WRITTEN CONSENT.

NAME	DATE
DR JOHN GLASSFORD	6/18/07
APPD DAVE HURLEY	6/18/07
PROD LEO LESTER	6/18/07
WO#/CO#	
FILE	

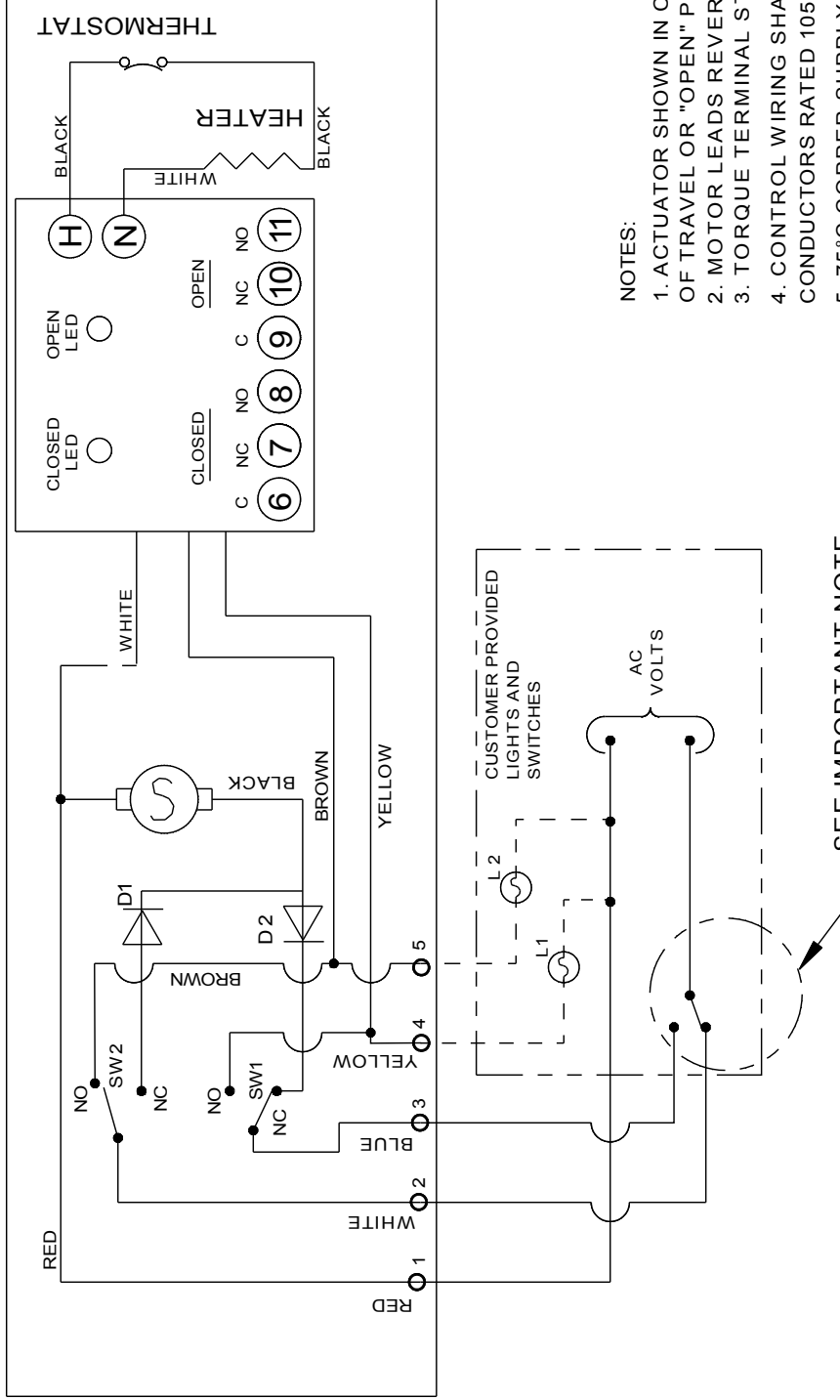
**ASAHI/AMERICA**  
 ISO 9001 CERTIFIED  
 35 GREEN STREET, P.O. BOX 653, MALDEN, MA.

SERIES 92 WIRING DIAGRAM  
 OPTIONS

SIZE	DWG. NO.	REV
A	0042EL	C
SCALE	NTS	SHEET 1 OF 1

REV	DATE	DESCRIPTION	BY	FROM
A	6/22/17	FIRST ISSUE	JH	KB

AC WIRING DIAGRAM



NOTES:

1. ACTUATOR SHOWN IN COUNTER CLOCKWISE EXTREME OF TRAVEL OR "OPEN" POSITION.
2. MOTOR LEADS REVERSED FOR 1100 & 2200 IN\*LBS
3. TORQUE TERMINAL STRIP WIRING TO 5 IN-LBS.
4. CONTROL WIRING SHALL BE INSULATED WITH CONDUCTORS RATED 105°C, 300V MINIMUM.
5. 75°C COPPER SUPPLY WIRES ONLY.

<b>UNLESS OTHERWISE SPECIFIED</b>	
DIMENSIONS ARE IN INCHES	
MACHINING	2 PL DECIMALS ± .01
TOLERANCES:	3 PL DECIMALS ± .005
ANGULAR	± 1/2°
FRACTIONAL	± 1/64
FABRICATION	1/2" - 8" ± 1/4
TOLERANCES:	10" AND UP ± 1/2
ANGULAR	± 1.0°
WELD TYPE:	N/A
MATERIAL:	AS NOTED
FINISH:	125μ"

THIS DRAWING AND ALL INFORMATION HEREIN IS THE PROPERTY OF ASAHI/AMERICA. ANY COPYING, REPRODUCTION OR UNAUTHORIZED USE IS FORBIDDEN WITHOUT WRITTEN CONSENT.	
DR	J. Hughes
REV	
APPR	K. Blystone
DATE	06/22/17
PRODUCT:	VALVE & ACT
WO#/SO#	



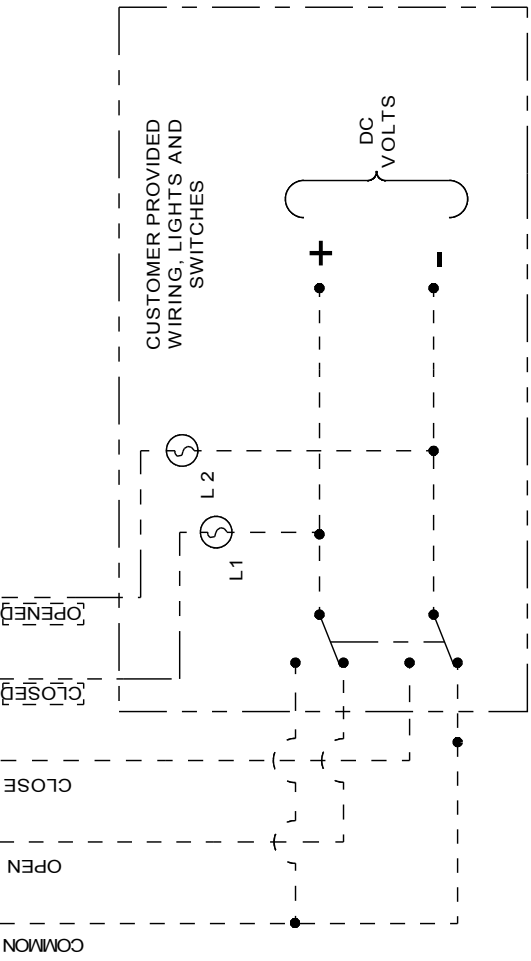
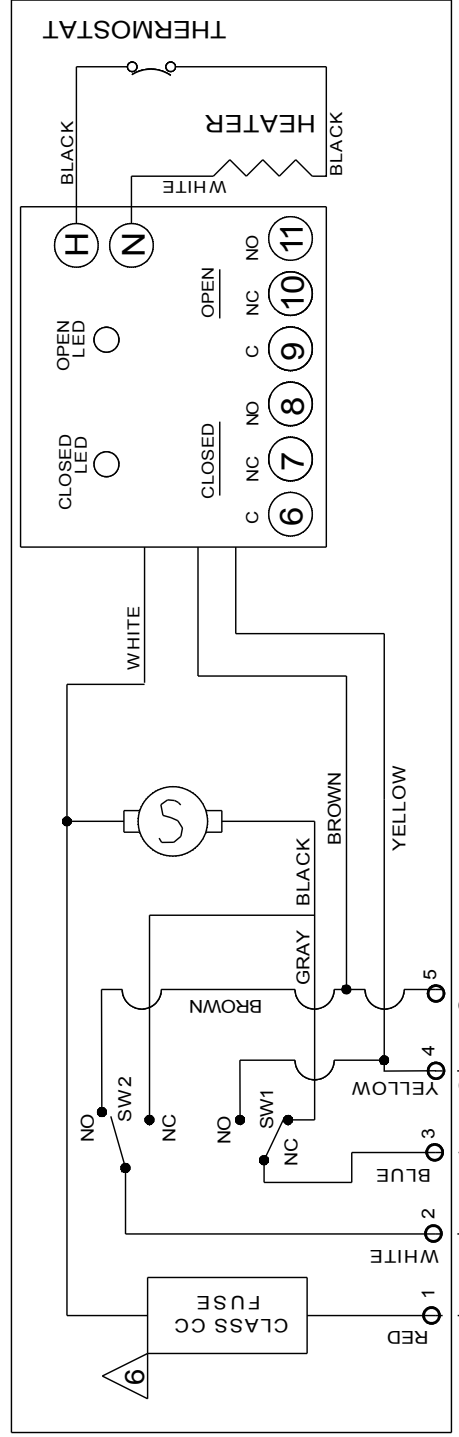
SERIES 92 WITH RHM WIRING  
DIAGRAM 12/24 VAC

JDE PART # M00EL9900

SIZE	A	DWG #	M00EL9900	REVISION	A
SCALE	N/A	SHEET	1	OF	1

REV	DATE	DESCRIPTION	BY	FROM
A	6/22/17	FIRST ISSUE	JH	KB

DC WIRING DIAGRAM



NOTES:

1. ACTUATOR SHOWN IN COUNTER CLOCKWISE EXTREME OF TRAVEL OR "OPEN" POSITION.
2. MOTOR LEADS REVERSED FOR 1100 & 2200 IN\* LBS.
3. TORQUE TERMINAL STRIP WIRING TO 5 IN-LBS.
4. CONTROL WIRING SHALL BE INSULATED WITH CONDUCTORS RATED 105°C, 300V MINIMUM.
5. 75°C COPPER SUPPLY WIRES ONLY.
6. UL UNITS REQUIRE LITTLE FUSE L60030C1C FUSE HOLDER WITH LITTLE FUSE CCMR004.TXP 4A FUSE FOR 24VDC POWER SUPPLY, OR LITTLE FUSE CCMR002.TXP 2A FUSE FOR 12VDC POWER SUPPLY

UNLESS OTHERWISE SPECIFIED	
DIMENSIONS ARE IN INCHES	
MACHINING	2 PL DECIMALS ± .01
TOLERANCES:	3 PL DECIMALS ± .005
ANGULAR	± 1/2°
FRACTIONAL	± 1/64
FABRICATION	1/2" - 8"
TOLERANCES:	10' AND UP ± 1/2
ANGULAR	± 1.0°
WELD TYPE:	N/A
MATERIAL:	AS NOTED
FINISH:	125µ"

THIS DRAWING AND ALL INFORMATION HEREIN IS THE PROPERTY OF ASAHI/AMERICA. ANY COPYING, REPRODUCTION OR UNAUTHORIZED USE IS FORBIDDEN WITHOUT WRITTEN CONSENT.	
NAME	DATE
J. Hughes	06/22/17
DR	REV
K. Blystone	06/22/17
APPR	PRODUCT: VALVE & ACT
WO#/SO#	

**ASAHI/AMERICA**  
**ISO 9001 CERTIFIED**  
 655 ANDOVER STREET, LAWRENCE, MA

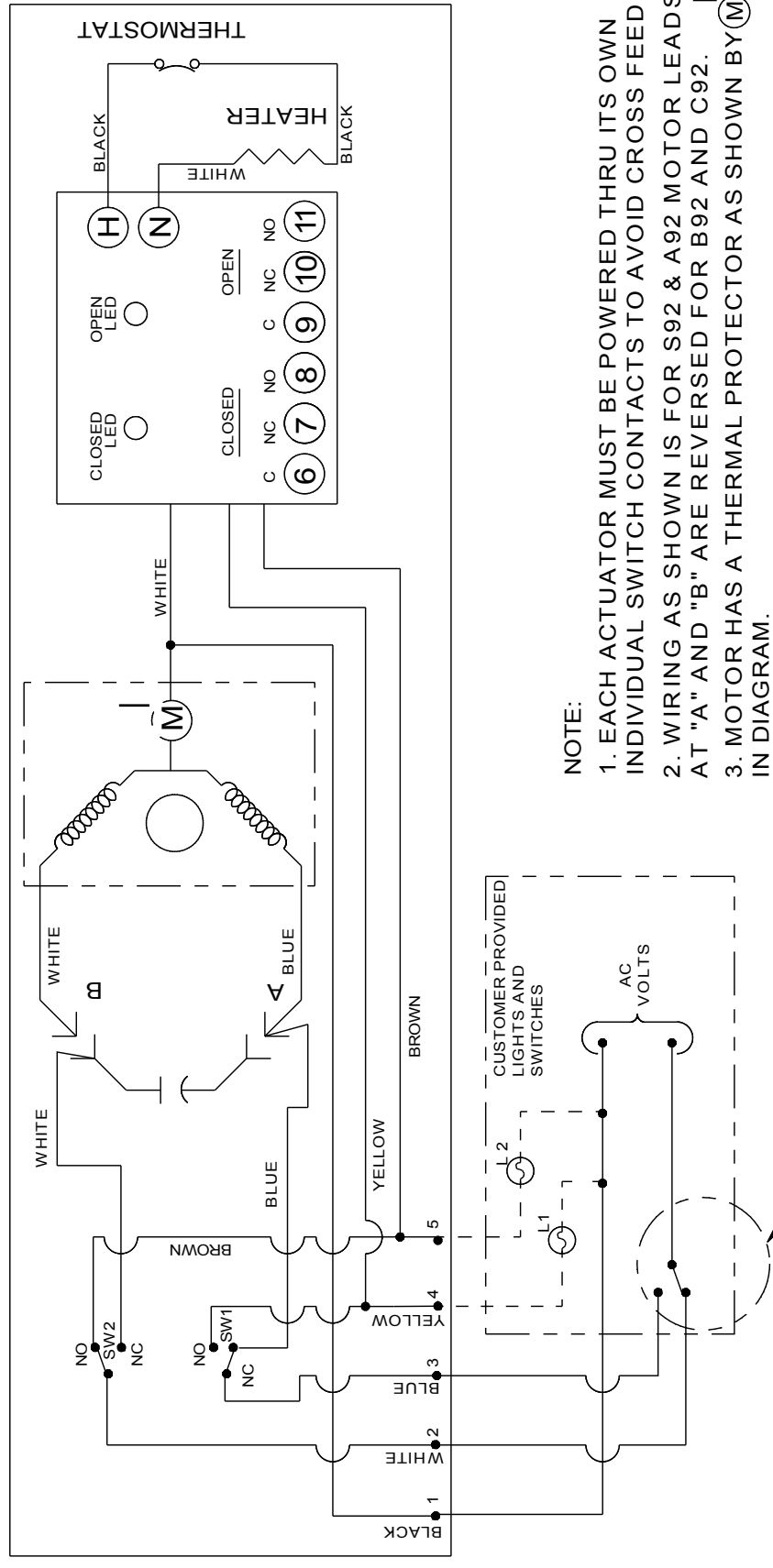
**SERIES 92 WITH RHM WIRING**  
**DIAGRAM 12/24 VDC**

JDE PART # M00EL9901

SCALE	N/A	SHEET	1	OF	1
SIZE	A	DWG #	M00EL9901	REVISION	A

REV	DATE	DESCRIPTION	BY	FROM
A	6/22/17	FIRST ISSUE	JH	KB

**WIRING DIAGRAM FOR 120 VAC AND 220 VAC ONLY  
ACTUATOR SHOWN IN COUNTER-CLOCKWISE EXTREME OF TRAVEL, OR "OPEN" POSITION**



**NOTE:**

1. EACH ACTUATOR MUST BE POWERED THRU ITS OWN INDIVIDUAL SWITCH CONTACTS TO AVOID CROSS FEED.
2. WIRING AS SHOWN IS FOR S92 & A92 MOTOR LEADS AT "A" AND "B" ARE REVERSED FOR B92 AND C92.
3. MOTOR HAS A THERMAL PROTECTOR AS SHOWN BY (M) IN DIAGRAM.
4. TORQUE TERMINAL STRIP WIRING TO 5 IN-LBS.
5. CONTROL WIRING SHALL BE INSULATED WITH CONDUCTORS RATED 105°C, 300V MINIMUM.
6. 75°C COPPER SUPPLY WIRES ONLY.

SEE IMPORTANT NOTE

UNLESS OTHERWISE SPECIFIED	
DIMENSIONS ARE IN INCHES	
MACHINING	2 PL DECIMALS ± .01
TOLERANCES:	3 PL DECIMALS ± .005
ANGULAR	± 1/2°
FRACTIONAL	± 1/64
FABRICATION	1/2" - 8" ± 1/4
TOLERANCES:	10" AND UP ± 1/2
ANGULAR	± 1.0°
WELD TYPE:	N/A
MATERIAL:	AS NOTED
FINISH:	125μ"

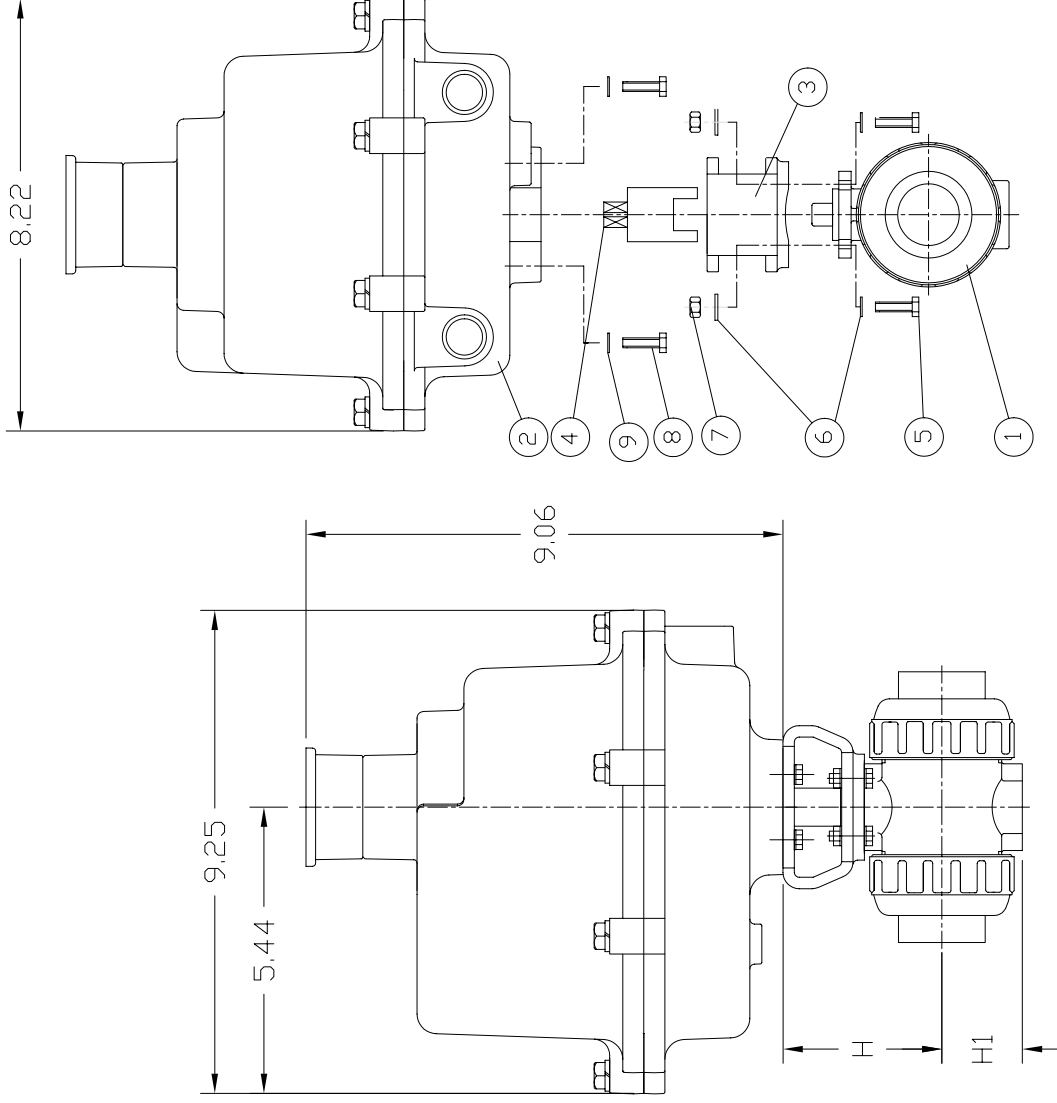
THIS DRAWING AND ALL INFORMATION HEREIN IS THE PROPERTY OF ASAHI/AMERICA. ANY COPYING, REPRODUCTION OR UNAUTHORIZED USE IS FORBIDDEN WITHOUT WRITTEN CONSENT.	
NAME	DATE
J. Hughes	06/22/17
DR	
REV	
APPR	K. Blystone
PRODUCT:	VALVE & ACT
WO#/SO#	

**ASAHI/AMERICA**  
**ISO 9001 CERTIFIED**  
 655 ANDOVER STREET, LAWRENCE, MA

**SERIES 92 WITH RHM WIRING**  
**DIAGRAM 120/220 VAC**

JDE PART # M00EL9902

SIZE	A	DWG #	M00EL9902	REVISION	A
SCALE	N/A	SHEET	1	OF	1



UNIT: INCH

VALVE SIZE	1/2"	3/4"	1"	1-1/4"	1-1/2"	2"
H	2.76	3.01	3.29	3.64	3.98	4.43
H1	1.14	1.38	1.54	1.85	2.17	2.60

NOTE: The shape and appearance of assembly differ a little with nominal size compared to this drawing.

9	FLAT WASHER (M8.0)	STAINLESS STEEL	4
8	BOLT (M8.0x1.25-16LG)	STAINLESS STEEL	4
7	NUT (FOR 1/2" THRU 1-1/4" : M5.0x8) (FOR 1-1/2" THRU 2" : M6.0x1)	STAINLESS STEEL	4
6	FLAT WASHER (FOR 1/2" THRU 1-1/4" : M5.0) (FOR 1-1/2" THRU 2" : M6.0)	STAINLESS STEEL	8
5	BOLT (FOR 1/2" THRU 1-1/4" : M5.0x8-16LG) (FOR 1-1/2" THRU 2" : M6.0x1-20LG)	STAINLESS STEEL	4
4	COUPLING	STAINLESS STEEL 303	1
3	MOUNTING BRACKET	PPG	1
2	ACTUATOR SERIES 92	EPOXY COATED ALUMINUM	1
1	BALL VALVE TYPE 21	PVC,CPVC,PP,PVDF	1
ITEM	DESCRIPTION	MATERIAL	QTY

THIS DRAWING AND ALL INFORMATION HEREON IS THE PROPERTY OF ASAHI/AMERICA. ANY COPYING, REPRODUCTION OR UNAUTHORIZED USE IS FORBIDDEN WITHOUT WRITTEN CONSENT.

NAME	DATE
DR DAN CAMERON	8/02/01
APPD DAVE HURLEY	8/2/01
PROD LEO LESTER	8/2/01
WO#/CO#	
FILE	

**ASAHI/AMERICA**  
ISO 9001 CERTIFIED

35 GREEN STREET, P.O. BOX 653, MALDEN, MA.



BALL VALVE TYPE 21  
SERIES 92 ELECTRIC ACTUATOR  
1/2" THRU 2"

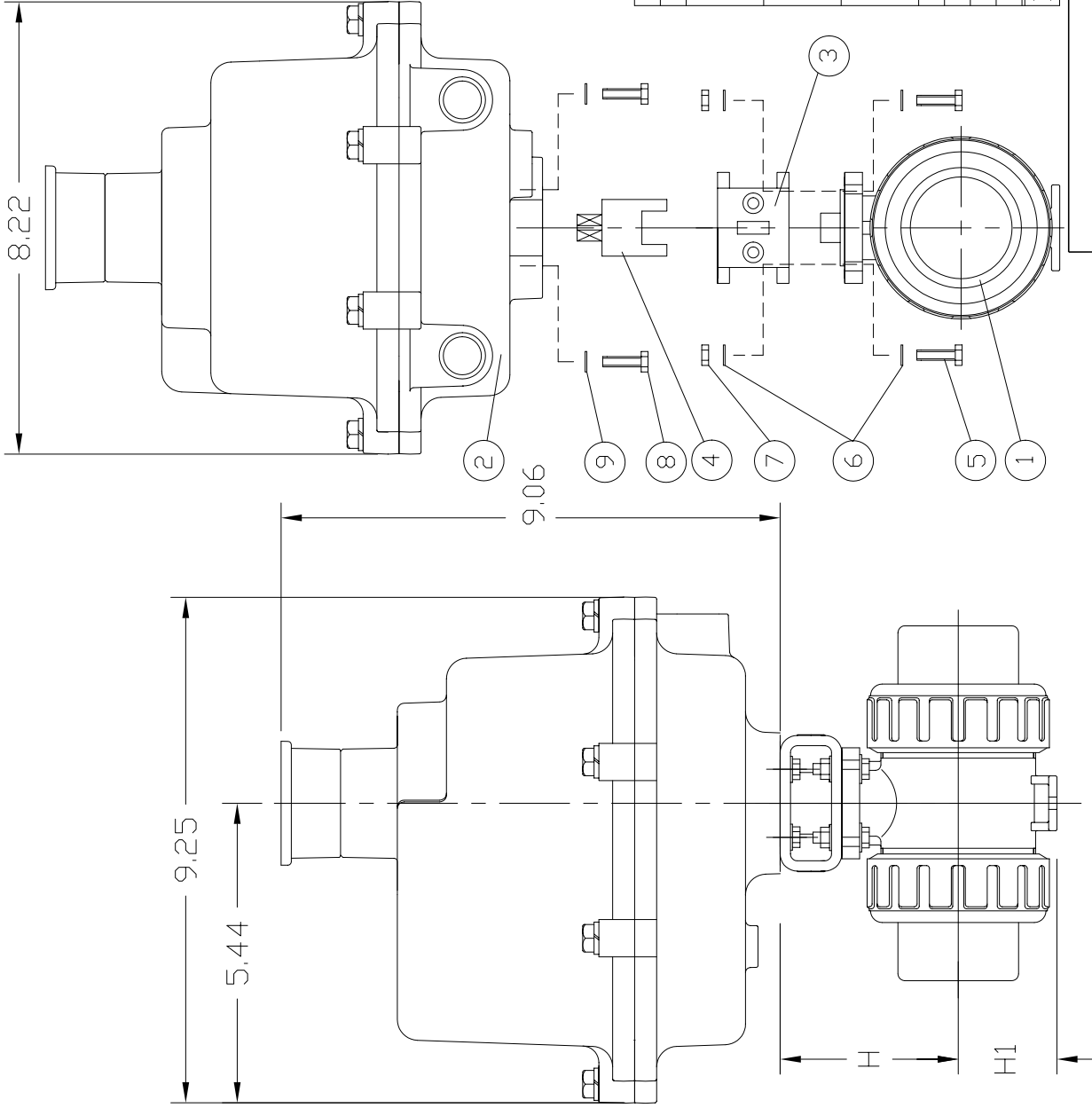
SIZE A DWG. NO. 0107BV

REV A

SCALE NTS

SHEET 1 OF 1

**FOR REFERENCE ONLY**  
**ASAHI/AMERICA**



UNIT: INCH

VALVE SIZE	2-1/2"	3"	4"
H	5.12	5.47	6.97
H1	2.83	3.35	4.33

NOTE. The shape and appearance of assembly differ a little with nominal size compared to this drawing.

ITEM	DESCRIPTION	MATERIAL	QTY
9	FLAT WASHER (M8.0)	STAINLESS STEEL	4
8	BOLT (M8.0x1.25-16LG)	STAINLESS STEEL	4
7	NUT (FOR 2-1/2" AND 3" : M8.0x1.25) (FOR 4" : M10.0x1.50)	STAINLESS STEEL	4
6	FLAT WASHER (FOR 2-1/2" AND 3" : M8.0) (FOR 4" : M10.0)	STAINLESS STEEL	8
5	BOLT (FOR 2-1/2" AND 3" : M8.0x1.25-35LG) (FOR 4" : M10.0x1.50-40LG)	STAINLESS STEEL	4
4	COUPLING	STAINLESS STEEL 303	1
3	MOUNTING BRACKET	PPG	1
2	ACTUATOR SERIES 92	EPOXY COATED ALUMINUM	1
1	BALL VALVE TYPE 21	PVC,CPVC,PP,PVDF	1

**ASAHI/AMERICA**

ISO 9001 CERTIFIED

35 GREEN STREET, P.O. BOX 653, MALDEN, MA.



BALL VALVE TYPE21  
 SERIES92 ELECTRIC ACTUATOR  
 2-1/2" THRU 4"

SIZE **A** DWG. NO. 0113BV REV **A**

SCALE NTS SHEET 1 OF 1

THIS DRAWING AND ALL INFORMATION HEREON IS THE PROPERTY OF ASAHI/AMERICA. ANY COPYING, REPRODUCTION OR UNAUTHORIZED USE IS FORBIDDEN WITHOUT WRITTEN CONSENT.

NAME	DATE
DR KENICHI MIYAZAKI	8/14/01
APPD DAVE HURLEY	8/14/01
PROD LED LESTER	8/14/01
WO#/CO#	
FILE	

**FOR REFERENCE ONLY**  
**ASAHI/AMERICA**

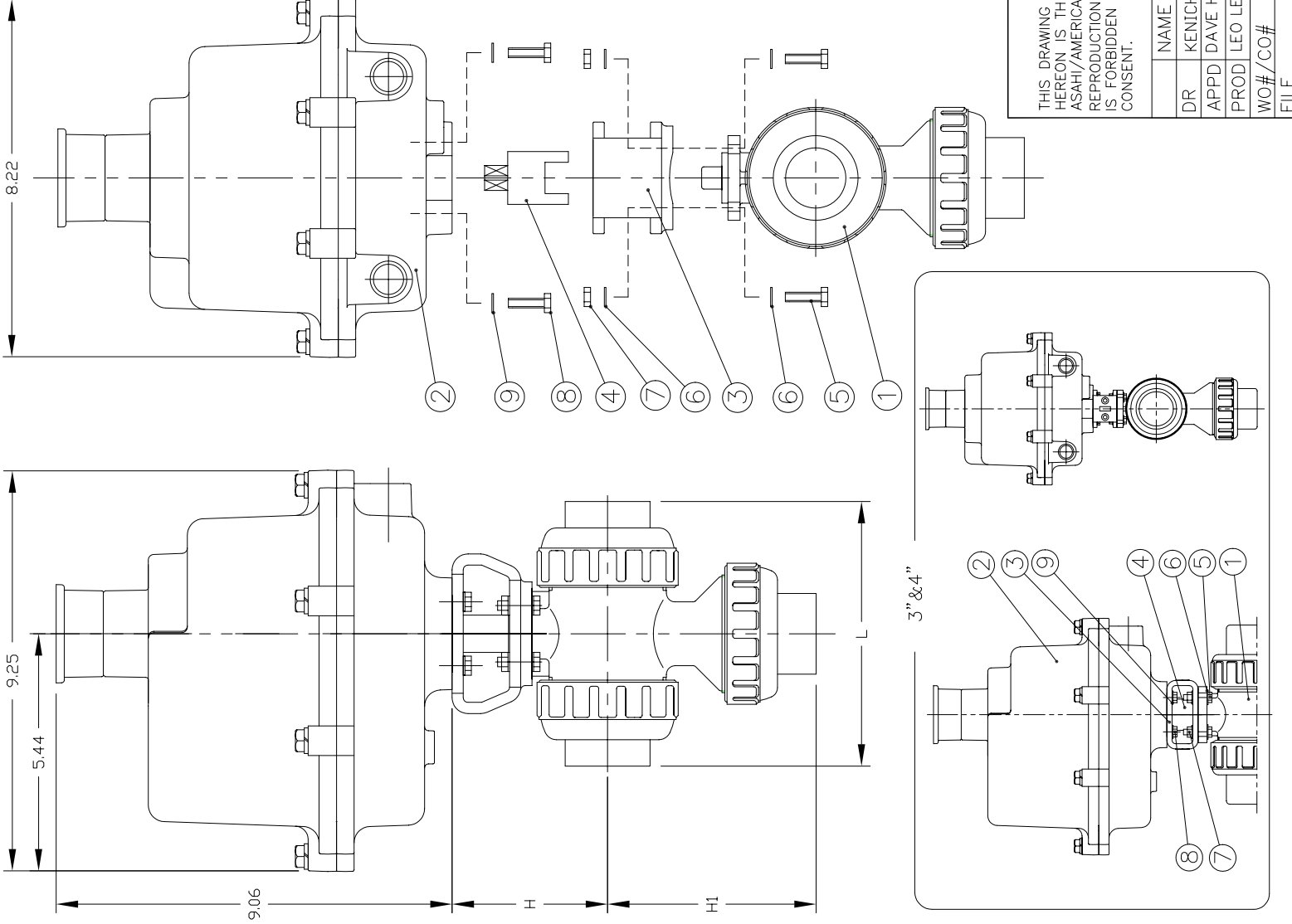
DIMENSIONS TABLE

UNIT: inch

NOMINAL SIZE	FLANGED			THREADED			SOCKET			SPOOT (BUTT END)			
	H	H1	L	H	H1	L	H1	H1	L				
1/2" 15mm	2.76	3.70	5.63	2.89	4.02	3.08	4.45	2.80	3.90	3.09	4.45	3.27	4.88
3/4	3.01	4.50	6.77	3.48	4.72	3.56	5.08	3.27	4.49	3.61	5.08	3.90	5.67
1	3.29	5.24	7.36	4.13	5.16	4.32	5.75	3.94	4.84	4.37	5.75	4.53	6.06
1 1/2	3.98	6.50	8.35	5.53	6.42	5.71	7.24	5.16	5.83	5.85	7.24	6.02	6.85
2	4.43	7.34	9.21	6.61	7.76	6.66	8.23	6.06	6.93	6.76	8.23	7.01	8.82
3	5.47	10.06	11.97	9.25	10.39	9.59	11.10	8.82	9.88	11.10	11.10	9.69	11.61
4	6.97	12.01	14.65	11.77	14.17	11.58	13.90	10.98	12.20	14.37	14.37	11.85	12.72

NOTE; 1) THE SHAPE AND APPEARANCE OF ASSEMBLY DIFFER A LITTLE WITH NOMINAL SIZE COMPARED TO THIS DRAWING.  
 2) FOR DETAILED VALVE DIMENSIONS, REFER TO DWG. NO. 0126BV, 0127BV, 0128BV.  
 L-PORT : DWG. NO. 0126BV  
 DOUBLE L-PORT : DWG. NO. 0127BV  
 CROSS PORT : DWG. NO. 0128BV

**FOR REFERENCE ONLY**  
**ASAHI/AMERICA**



ITEM	DESCRIPTION	MATERIAL	QTY
9	FLAT WASHER (M6.0)	STAINLESS STEEL	4
8	BOLT (M6.0x1-16LG)	STAINLESS STEEL	4
7	NUT (FOR 1/2" THRU 1-1/4" : M5.0x8) (FOR 1-1/2" THRU 2" : M6.0x1) (FOR 3" : M8.0x1.25) (FOR 4" : M10.0x1.50)	STAINLESS STEEL	4
6	FLAT WASHER (FOR 1/2" THRU 1-1/4" : M5.0) (FOR 1-1/2" THRU 2" : M6.0) (FOR 3" : M8.0) (FOR 4" : M10.0)	STAINLESS STEEL	8
5	BOLT (FOR 1/2" THRU 1" : M5.0x8-16LG) (FOR 1-1/2" THRU 2" : M6.0x1-20LG) (FOR 3" : M8.0x1.25-35LG) (FOR 4" : M10.0x1.50-40LG)	STAINLESS STEEL	4
4	COUPLING	STAINLESS STEEL 303	1
3	MOUNTING BRACKET	PPG	1
2	ACTUATOR SERIES 92	ZYTEL	1
1	MULTI-PORT BALL VALVE TYPE23	PVC,CPVC,PP,PVDF	1

THIS DRAWING AND ALL INFORMATION HEREON IS THE PROPERTY OF ASAHI/AMERICA. ANY COPYING, REPRODUCTION OR UNAUTHORIZED USE IS FORBIDDEN WITHOUT WRITTEN CONSENT.

NAME	DATE
DR KENICHI MIYAZAKI	1/28/03
APPD DAVE HURLEY	1/28/03
PROD LEO LESTER	1/28/03
WO#/CO#	
FILE	

**ASAHI/AMERICA**  
 ISO 9001 CERTIFIED  
 35 GREEN STREET, P.O. BOX 653, MALDEN, MA.

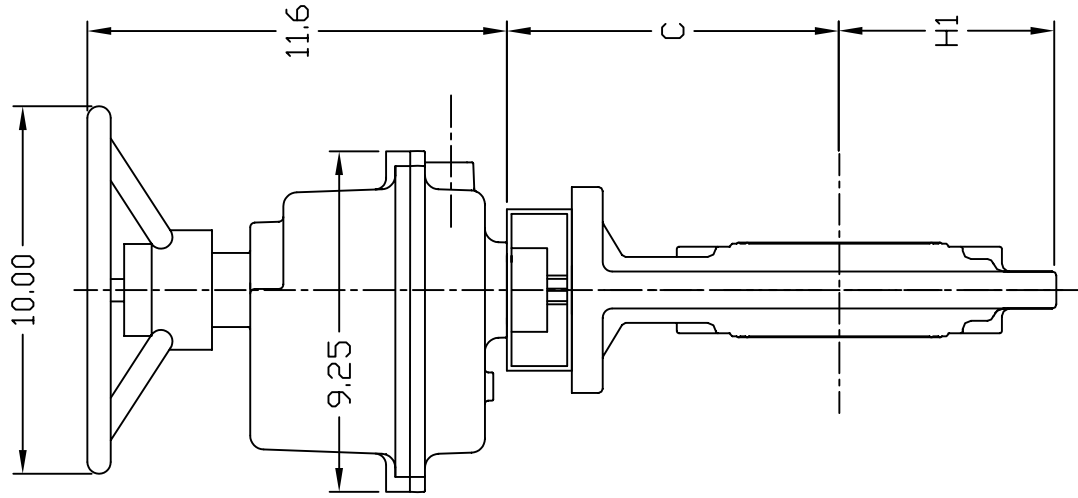
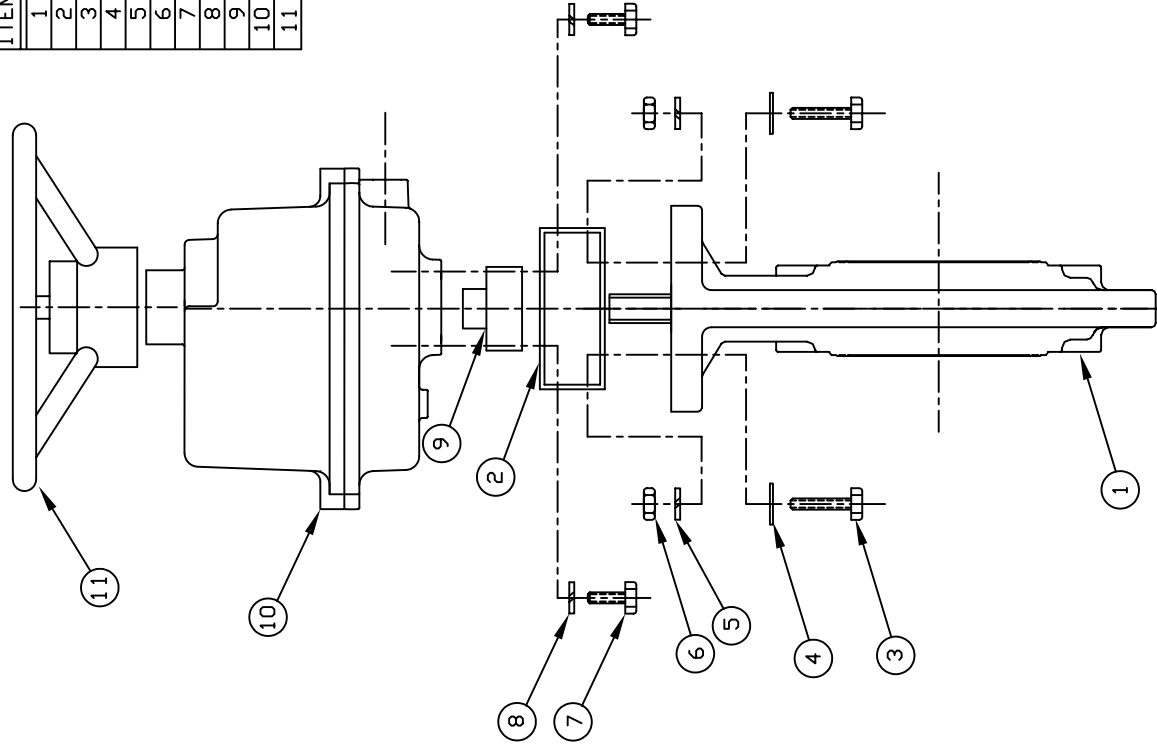


MULTI PORT BALL VALVE  
 TYPE23 WITH SERIES92 ACT.  
 1/2" THRU 4"

SIZE	DWG. NO.	REV
A	0130BV	A

VALVE SIZE	H1	C
1 1/2"	3.74	5.00
2"	3.86	5.00
2 1/2"	3.66	5.58
3"	3.94	5.78
4"	4.53	6.56
5"	5.00	8.05
6"	5.63	8.76
8"	6.70	11.25

ITEM	DESCRIPTION	MATERIAL	QTY
1	BUTTERFLY VALVE		1
2	BRACKET MOUNTING	300 SS	1
3	SCREW	300 SS	4
4	WASHER FLAT	300 SS	4
5	WASHER LOCK	300 SS	4
6	NUT HEX	300 SS	4
7	SCREW	300 SS	4
8	WASHER LOCK	300 SS	4
9	SHAFT ADAPTER	300 SS	1
10	ACTUATOR	ALUM. EPOXY COATED	1
11	HANDWHEEL	ALUM. EPOXY COATED	1



**FOR REFERENCE ONLY**  
**ASAHI/AMERICA**

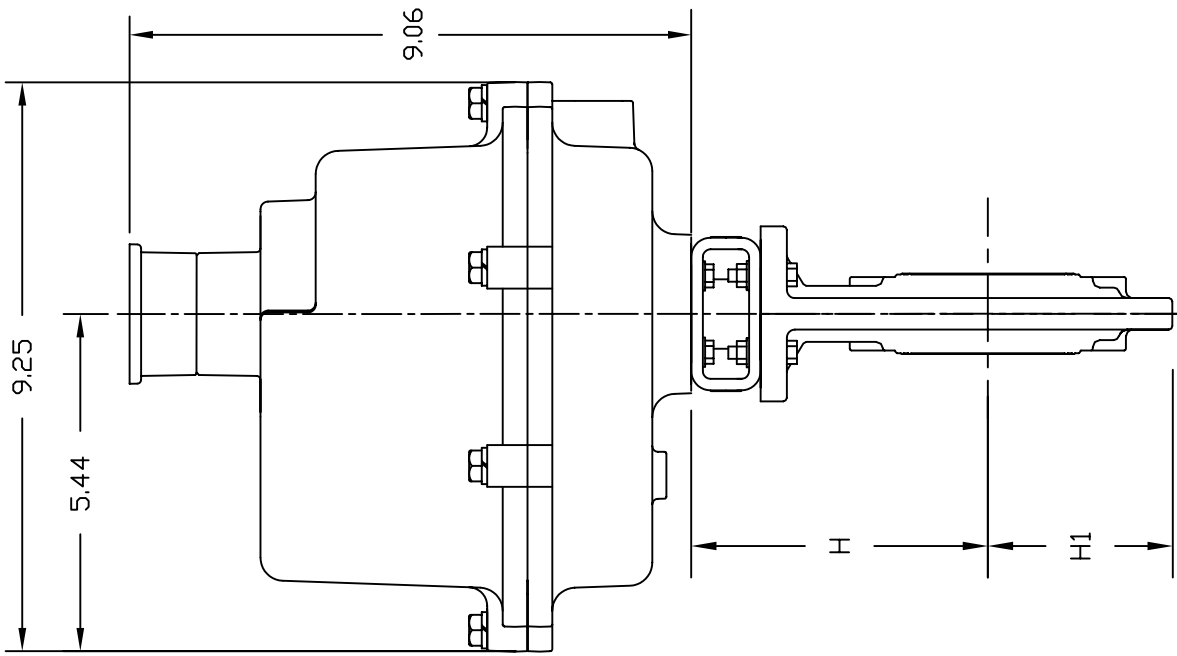
THIS DRAWING AND ALL INFORMATION HEREON IS THE PROPERTY OF ASAHI/AMERICA. ANY COPYING, REPRODUCTION OR UNAUTHORIZED USE IS FORBIDDEN WITHOUT WRITTEN CONSENT.

NAME	DATE
DR JOHN GLASSFORD	6/10/05
APPD DAVE HURLEY	6/10/05
PROD LEO LESTER	6/10/05
PATH	
WO#/CO#	

**ASAHI/AMERICA**  
ISO 9001 CERTIFIED  
35 GREEN STREET, P.O. BOX 653, MALDEN, MA.

TYPE57 BF VALVE SERIES	
92 2000 IN/LB ELECTRIC ACT	
SIZE A	DWG. NO. 0168BF57
REV A	
SCALE NINE	SHEET 1 OF 1





UNIT: INCH

VALVE SIZE	1-1/2"	2"	2-1/2"	3"	4"	5"	6"
H	5.51	5.75	6.18	6.46	7.16	8.46	8.97
H1	2.95	3.27	3.66	3.94	4.53	5.00	5.63

NOTE: 1. The shape and appearance of assembly differ a little with nominal size compared to this drawing.  
 2. For 1-1/2" thru. 4" Mounting Bracket : F7 x F05,F07  
 For 5" and 6" Mounting Bracket : F10 x F07,F10

9	FLAT WASHER (M8.0)	STAINLESS STEEL	4
8	BOLT (M8.0x1.25-16LG)	STAINLESS STEEL	4
7	NUT (FOR 1-1/2" THRU. 4" : M8.0x1.25) (FOR 5" AND 6" : M10.0x1.50)	STAINLESS STEEL	4
6	FLAT WASHER (FOR 1-1/2" THRU. 4" : M8.0) (FOR 5" AND 6" : M10.0)	STAINLESS STEEL	8
5	BOLT (FOR 1-1/2" THRU. 4" : M8.0x1.25-35LG) (FOR 5" AND 6" : M10.0x1.50-40LG)	STAINLESS STEEL	4
4	COUPLING	STAINLESS STEEL 303	1
3	MOUNTING BRACKET	PPG	1
2	ACTUATOR SERIES 92	EPOXY COATED ALUMINUM	1
1	BUTTERFLY VALVE TYPE 57	U-PVC,PP,PVDF	1
ITEM	DESCRIPTION	MATERIAL	QTY

**ASAHI/AMERICA**  
 ISO 9001 CERTIFIED  
 35 GREEN STREET, P.O. BOX 653, MALDEN, MA.

**BUTTERFLY VALVE TYPE57  
 SERIES92 ELECTRIC ACTUATOR  
 1-1/2" THRU 6"**

THIS DRAWING AND ALL INFORMATION HEREON IS THE PROPERTY OF ASAHI/AMERICA. ANY COPYING, REPRODUCTION OR UNAUTHORIZED USE IS FORBIDDEN WITHOUT WRITTEN CONSENT.

NAME	DATE
DR JOHN GLASSFORD	6/13/05
APPD DAVE HURLEY	6/13/05
PROD LEO LESTER	6/13/05
WO#/CO#	
FILE	

**FOR REFERENCE ONLY  
 ASAHI/AMERICA**

SIZE	A	DWG. NO.	0200BF57	REV	A
SCALE	NTS	SHEET 1	OF 1		

# SERIES 92

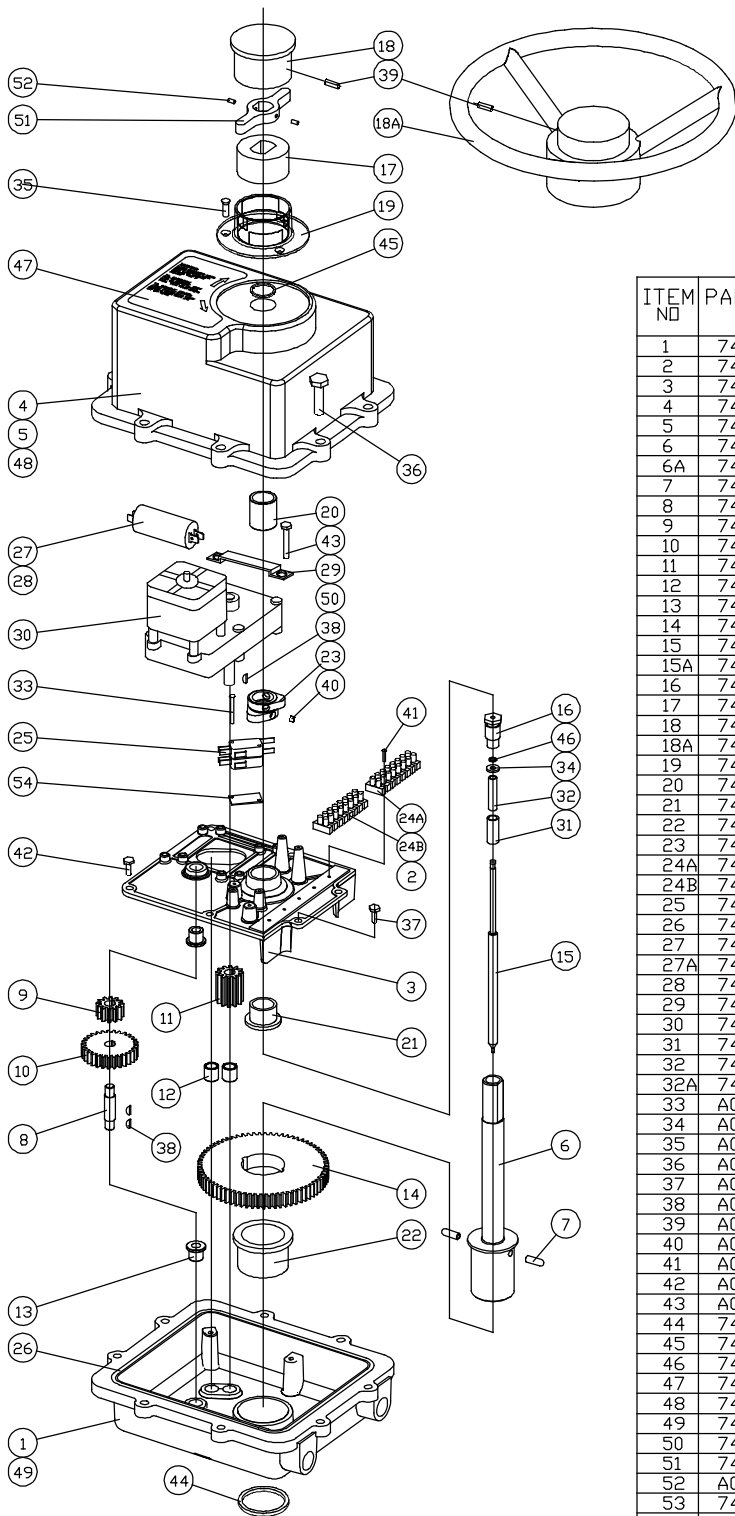
## PARTS LIST & MATERIALS OF CONSTRUCTION

**CERTIFIED PRODUCT**

**NO MODIFICATIONS  
PERMITTED WITHOUT  
REFERENCE TO ATEX**

**SCHEDULE DRAWING**

S92= 400 IN\*LBS  
A92= 700 IN\*LBS  
B92=1100 IN\*LBS  
C92=2000 IN\*LBS



ITEM NO	PART NO	QUANTITY				DESCRIPTION
		S92	A92	B92	C92	
1	7401920	1	1	1	1	BASE
2	7401440	1	1	1	1	WIRING HARNESS - 4 PCS
3	7401060	1	1	1	1	BASE PLATE
4	7401940	1	1	1	1	COVER
5	7401925	1	1	1	1	WIRING DIAGRAM LABEL
6	7401900	1	1	1	1	SHAFT MAIN
6A	7401905				1	SHAFT MAIN
7	7401360	2	2	2	2	PIN
8	7401280			1	1	SHAFT STUB
9	7402003			1	1	SPUR GEAR 1B
10	7402002			1	1	SPUR GEAR 1A
11	7401400	1	1	1	1	GEAR PINION
12	7401540	1	1	1	1	BEARING PINION
13	7402006			2	2	BEARING FL - SPUR GEAR
14	7401380	1	1	1	1	GEAR MAIN
15	7401200	1	1	1	1	SHAFT INNER
15A	7401210				1	SHAFT INNER
16	7401180	1	1	1	1	SHAFT RETAINER
17	7401300	1	1	1	1	KNDB LOWER
18	7401320	1	1	1	1	KNDB UPPER
18A	7401995				1	HANDWHEEL
19	7401260	1	1	1	1	COLLAR
20	7401120	1	1	1	1	BEARING UPPER COVER
21	7401080	1	1	1	1	BASE PLATE BEARING
22	7401020	1	1	1	1	BASE BEARING
23	7401480	2	2	2	2	CAM
24A	7401420	2	2	2	2	TERMINAL BLOCK 1-8
24B	7401425	2	2	2	2	TERMINAL BLOCK 9-16
25	7401460	2	2	2	2	MICRO SWITCH (V7-6C13D8-132)
26	7401560	1	1	1	1	D-RING BASE/COVER
27	7401948	1		1		CAPACITOR 4.2 MFD
27A	7402004		1			CAPACITOR 6.7 MFD
28	7403008				1	CAPACITOR 7.6 MFD
29	7401520	1	1	1	1	CAPACITOR BRACKET
30	7401340	1	1	1	1	MOTOR
31	7401250	1	1	1	1	SHELL
32	7401220	1	1	1	1	SPRING
32A	7401230				1	SPRING
33	ACTMSC	2	2	2	2	SCREW ROUND HD. 4-40 x 1.00 LG
34	ACTMSC	1	1	1	1	WASHER, FLAT #10 Ø.450 x .06 THK
35	ACTMSC	3	3	3	3	SCREW FLAT HD. 8-32 x .25 LG. SS.
36	ACTMSC	8	8	8	8	SCREW HEX HD. 5/16-18 x 1.00 LG. SS.
37	ACTMSC	1	1	1	1	SCREW SELF TAP (GREEN) #10 x .50 LG.
38	ACTMSC	1	1	3	3	KEY, WOODRUF 3/32
39	ACTMSC	1	1	1	1	SCREW SLOT SET 8-32 x .50 LG. SS.
40	ACTMSC	4	4	4	4	SCREW SET 8-32 x .12 LG.
41	ACTMSC	4	4	4	4	SCREW SELF TAP #4 x .50 LG.
42	ACTMSC	5	5	5	5	SCREW SELF TAP SLOT/HEX #10 x .50 LG.
43	ACTMSC	4	4	4	4	SCREW SLOT/HEX 10-32 x 1.62 LG.
44	7401040	1	1	1	1	SEAL BASE
45	7401140	1	1	1	1	SEAL COVER
46	7401580	1	1	1	1	D-RING SHAFT
47	7401950	1	1	1	1	OVERRIDE LABEL
48	7401960	1	1	1	1	COVER NAMEPLATE
49	7401970	1	1	1	1	BASE NAMEPLATE
50	7401430	1	1	1	1	CAPACITOR HARNESS- 2 PCS
51	7401485				1	HANDWHEEL CAM
52	ACTMSC				2	CAM SCREW SET 1/4-20 x /250 LG.
53	7401971	1	1	1	1	OPTION WIRING DIAGRAM
54	7403240	1	1	1	1	NOMEX INSULATOR PLATE (220VAC ONLY)

THIS DRAWING AND ALL INFORMATION HEREON IS THE PROPERTY OF ASAHI/AMERICA. ANY COPYING, REPRODUCTION OR UNAUTHORIZED USE IS FORBIDDEN WITHOUT WRITTEN CONSENT.

# ASAHI/AMERICA

ISO 9001 CERTIFIED

35 GREEN STREET, P.O. BOX 653, MALDEN, MA.



## SERIES 92 EXPLODED VIEW

	NAME	DATE
DR	J.GLASSFORD	6/18/07
CHK	D.HURLEY	6/18/07
APPD	L.LESTER	6/19/07

SIZE	DWG. NO.	REV
A	289S92	E

SCALE	SHEET	OF
NTS	1	1

DO NOT SCALE DRAWING

3.00



2.00



Asahi / America  
35 GREEN STREET, MALDEN  
MASSACHUSETTS 02148 USA  
EN60079-0, EN60079-1,



Exd IIB T4

TYPE

II 2 G

CERT No.


SERIAL No.

CE 0518

YEAR OF CONSTRUCTION

"DO NOT OPEN WHEN AN EXPLOSIVE ATMOSPHERE MAY BE PRESENT"

NOTE:  
ALL THE SQUARES ARE TO BE  
FILLED IN WITH THE RELEVANT  
INFORMATION BY HARD STAMPING

THIS DRAWING AND ALL INFORMATION HEREON IS THE PROPERTY OF ASAHI/AMERICA. ANY COPYING, REPRODUCTION OR UNAUTHORIZED USE IS FORBIDDEN WITHOUT WRITTEN CONSENT.			<b>ASAHI/AMERICA</b> ISO 9001 CERTIFIED 35 GREEN STREET, P.O. BOX 653, MALDEN, MA. 		
			SERIES 92 PRODUCT ATEX - ID LABEL		
DR	NAME	DATE	SIZE	DWG. NO.	REV
APPD	JOHN GLASSFORD	7/8/08	A	M00EL610	B
PROD	DAVE HURLEY	7/8/08			
WO#/SO#			SCALE	SHEET 1 OF 1	
FILE			NONE		