



# Series 79P Fast Pack Manual

Print Date: 3/3/2008

Department: Actuation

## INSTALLATION

- Actuators can be mounted in any orientation, provided that the actuator is supported to prevent side loading.
- Valve and actuator **MUST** be properly aligned to prevent side loading.

## SUPPLY

- An air supply shut-off valve installed upstream of actuator is recommended.
- Clean, instrument quality air or gas is recommended.
- Clean and filtered chemical-free water is acceptable.
- Clean and filtered “Other liquids” are acceptable and **MUST** be compatible with actuator internals.
- Lubricated air is acceptable but not necessary. If used, lubricators **MUST** be compatible with the actuator internals.
- Air inlet ports are 1/4” female NPT.

## LUBRICATION

- All units are factory lubricated, and need no further lubrication, as o-ring materials are self-lubricating BUNA-N.

## EMERGENCY OPERATION

- Smaller actuators can be cycled in an emergency by using a wrench on the top of the output shaft.
- Larger actuators should employ a declutchable manual override gearbox to prevent injury.

## MAINTENANCE

- The Series 79P double rack and pinion actuators do not need any preventative maintenance.
- Periodic checks should be performed to ensure proper tightness of all fasteners.

## **WARNING!!**

***ALL ELECTRICAL AND AIR CONNECTIONS MUST BE REMOVED AND BLED FROM ACTUATOR BEFORE REMOVING FROM SYSTEM***

Need more information? Download a complete IOM at our website. [www.asahi-america.com](http://www.asahi-america.com)

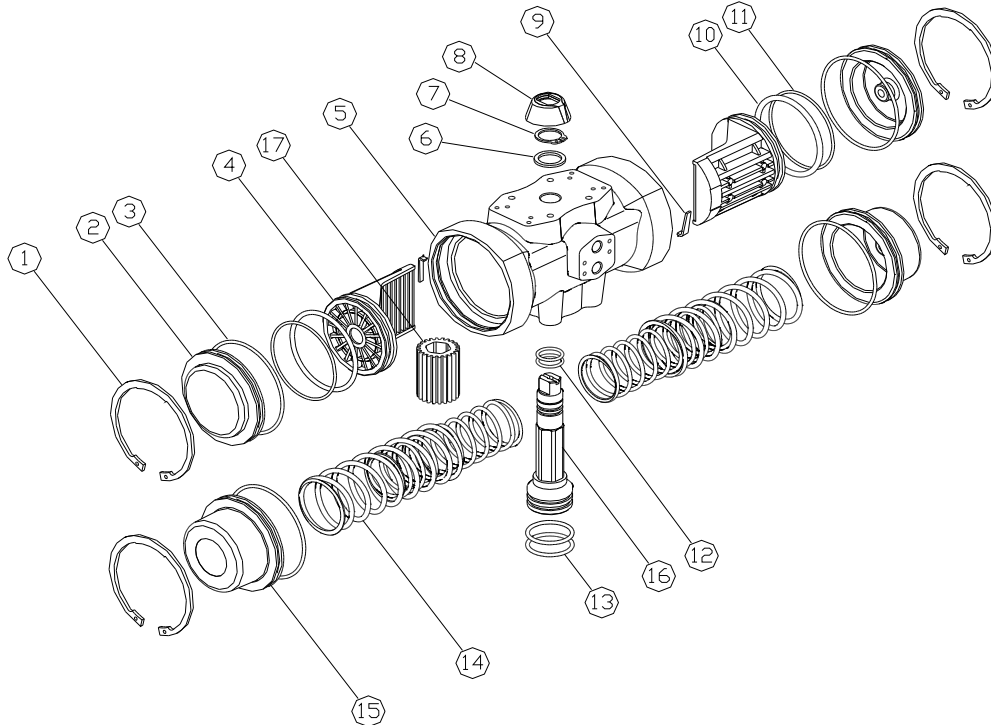


# Series 79P Fast Pack Manual

Print Date: 3/3/2008

Department: Actuation

## Series 79P Exploded View with Parts List



No	Description	Qty	Material
1	End Cap Retaining Ring	2	Cataphoresis Coated Steel
2	Double Acting End Cap	2	Polyamide
3	End Cap O-Ring	2	NBR
4	Piston	2	Polyarilamide
5	Actuator Body	1	Polyamide
6	Washer	1	Polyamide 6
7	Shaft Retaining Ring	1	Nickel PTFE Coated Steel
8	Position Indicator	1	Polyamide
9	Piston Guide	2	Polyacetal
10	Guide Ring	2	Polyacetal
11	Piston O-Ring	2	NBR
12	Upper Shaft O-Ring	2	NBR
13	Lower Shaft O-Ring	2	NBR
14	Spring Set	1	Cataphoresis Coated DIN-17223-C
15	Spring Return End Cap	2	Polyamide
16	Shaft	1	303 Stainless Steel
17	Pinion Gear	1	Cataphoresis Coated Aluminum Alloy

Need more information? Download a complete IOM at our website. [www.asahi-america.com](http://www.asahi-america.com)