

## Series 17 Electric Actuator on Type-21 Ball Valve



**Series 17 Electric Actuator**

The Series 17 electric actuator features a reversing motor with multi-voltage capabilities; 85vac-265vac (50/60Hz), 24vdc. An internal heater, auxiliary switches, and two position indicating LED's, are standard equipment. Additional features include a permanently lubricated steel gear train, NEMA Type 4 & 6 enclosure with a thermally bonded powder coat finish, declutchable manual override, visual mechanical position indication, ISO bolt circle, and flying leads.

### Standard Features

- **Size:** Compact, lightweight
- **Motor:** Low current, reversing DC motor
- **Multi-voltage:** 85-265 VAC single-phase, 24 VDC
- **Overload Protection:** Electric motor cuts out at 2 Amps
- **Gear Train:** Permanently lubricated solid gearing
- **Corrosion Resistant Enclosure:** Thermally bonded powder coat finish
- **Position Indication:** Mechanical dial indication
- **LED's:** Open and close LED position indication [green/closed, red/open]
- **De-clutchable Manual Override:** Push down override button and use provided lever to manually position in the event of no power
- **Auxiliary Limit Switches:** Dry contact switches for open and close positions
- **Enclosure:** Combination NEMA Type 4X and 6 enclosure with captive cover screws
- **Electrical Connections:** Sealed cable gland with 1.2M flying leads
- **Space Heater:** Standard equipment
- **ISO Mounting:** F03, F04, F05 X 14mm star

Specifications	
<b>Torque:</b>	350 in/lbs.
<b>Voltage:</b>	85-265 VAC single phase, 24 VDC
<b>Amp Draw:</b>	0.45
<b>Wiring:</b>	1.2M flying leads
<b>Limit Switches:</b>	Two (2) SPDT end of travel switches Two (2) SPDT dry contact switches rated 5A@250 VAC
<b>Heater:</b>	0.5W
<b>Cycle Time per 90°:</b>	12 seconds

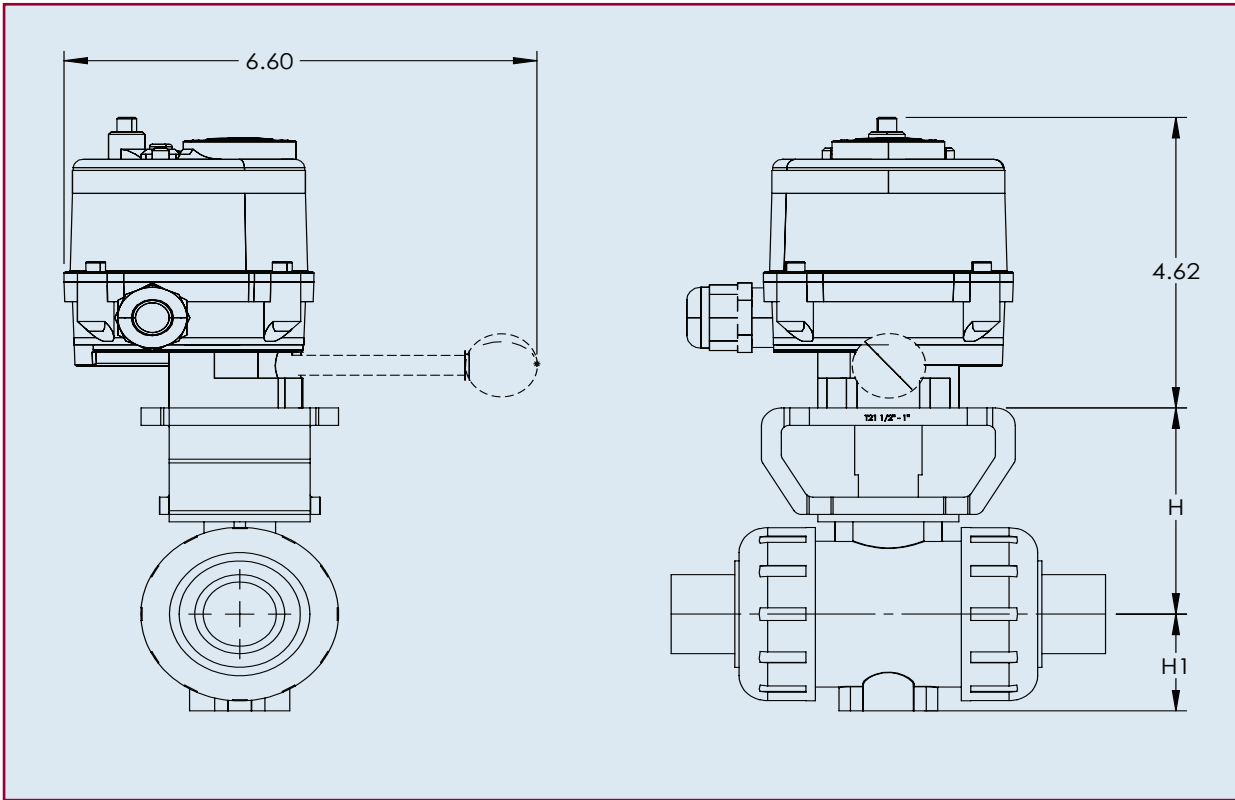
### Sample Specifications

All Series 17 electric actuators shall have a bidirectional (reversing type) motor, with a permanently lubricated gear train. Actuator shall have a die cast aluminum housing anodized inside and outside, with an external polyester powder coat finish, rated Type 4X and 6. Each actuator shall have a manual override, visual position indication, two auxiliary limit switches, two position indicating lights and a space heater, as supplied by Asahi/America, Inc.

### Engineering Data

Torque (in/lbs.)	110 VAC		220 VAC		24 VDC		Cycle Time per 90 Degrees (Seconds)*	Weight (lbs)
	Amp Draw	Duty Cycle	Amp Draw	Duty Cycle	Amp Draw	Duty Cycle		
350	0.12	70%	0.06	70%	0.46	70%	12	2.7

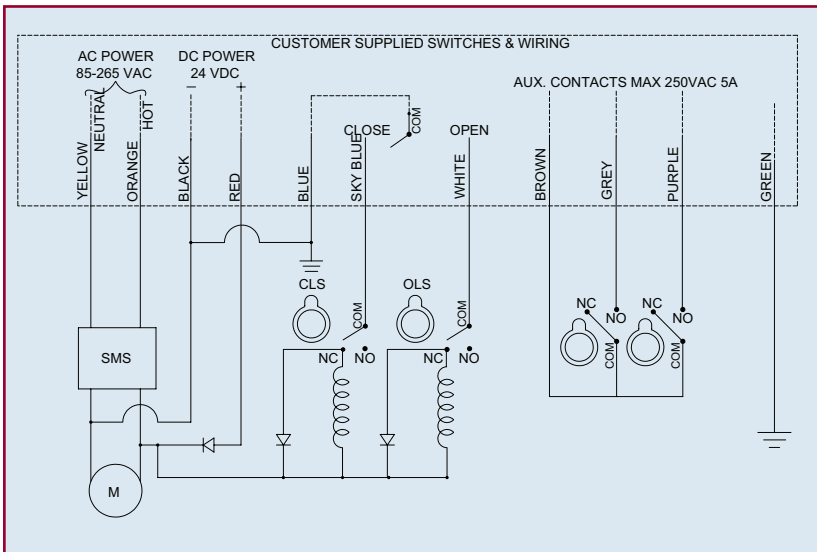
\*Cycle times are approximate  
AMP rating is considered running.  
Duty cycles are for ambient temperature (73° F).



## Dimensions (in.)

INCHES	mm	H	H1
1/2	15	2.76	1.14
3/4	20	3.01	1.38
1	25	3.29	1.54
1-1/4	32	3.64	1.85
1-1/2	40	3.98	2.17
2	50	4.43	2.60

## Wiring Diagram



## Series 17 Electric Actuator on Type-57P Butterfly Valve



Specifications	
<b>Torque:</b>	350 in/lbs.
<b>Voltage:</b>	85-265 VAC single phase, 24 VDC
<b>Amp Draw:</b>	0.45
<b>Wiring:</b>	1.2M flying leads
<b>Limit Switches:</b>	Two (2) SPDT end of travel switches Two (2) SPDT dry contact switches rated 5A@250 VAC
<b>Heater:</b>	0.5W
<b>Cycle Time per 90°:</b>	12 seconds

### Standard Features

- **Size:** Compact, lightweight
- **Motor:** Low current, reversing DC motor
- **Multi-voltage:** 85-265 VAC single-phase, 24 VDC
- **Overload Protection:** Electric motor cuts out at 2 Amps
- **Gear Train:** Permanently lubricated solid gearing
- **Corrosion Resistant Enclosure:** Thermally bonded powder coat finish
- **Position Indication:** Mechanical dial indication
- **LED's:** Open and close LED position indication (green/closed, red/open)
- **De-clutchable Manual Override:** Push down override button and use provided lever to manually position in the event of no power
- **Auxiliary Limit Switches:** Dry contact switches for open and close positions
- **Enclosure:** Combination NEMA Type 4X and 6 enclosure with captive cover screws
- **Electrical Connections:** Sealed cable gland with 1.2M flying leads
- **Space Heater:** Standard equipment
- **ISO Mounting:** F03, F04, F05 X 14mm star

### Sample Specifications

All Series 17 electric actuators shall have a bidirectional (reversing type) motor, with a permanently lubricated gear train. Actuator shall have a die cast aluminum housing anodized inside and outside, with an external polyester powder coat finish, rated Type 4X and 6. Each actuator shall have a manual override, visual position indication, two auxiliary limit switches, two position indicating lights and a space heater, as supplied by Asahi/America, Inc.

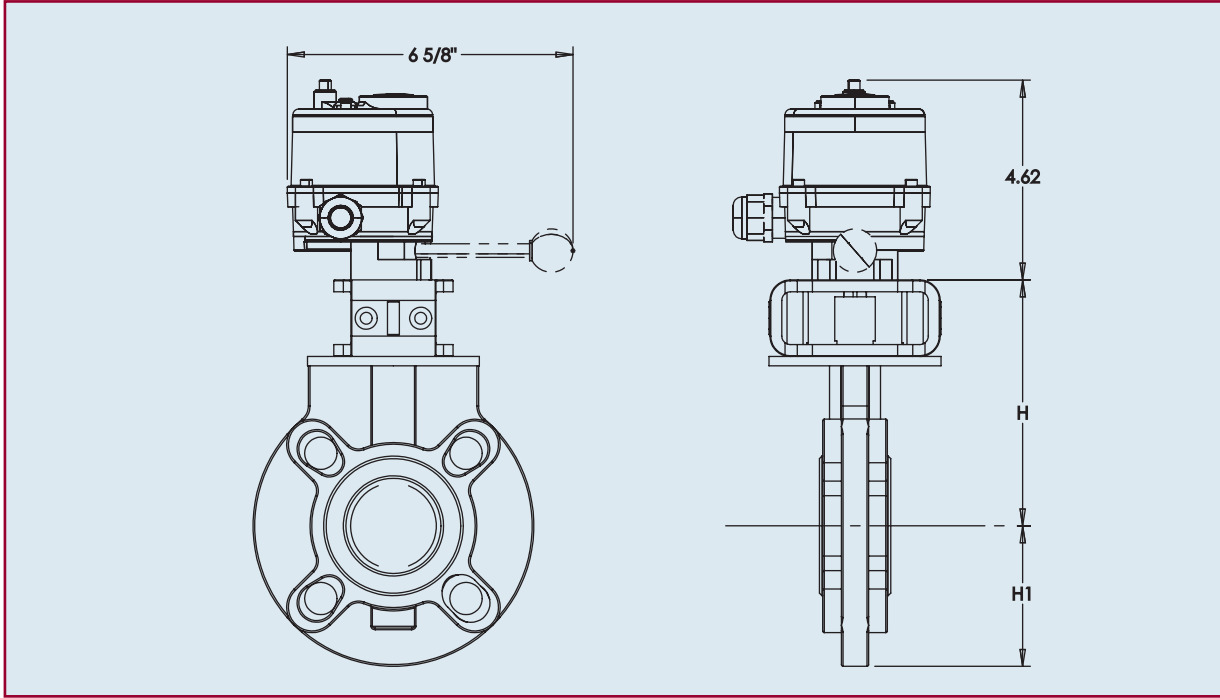
### Engineering Data

Torque (in/lbs.)	110 VAC		220 VAC		24 VDC		Cycle Time per 90 Degrees (Seconds)*	Weight (lbs)
	Amp Draw	Duty Cycle	Amp Draw	Duty Cycle	Amp Draw	Duty Cycle		
350	0.12	70%	0.06	70%	0.46	70%	12	2.7

\*Cycle times are approximate

AMP rating is considered running.

Duty cycles are for ambient temperature. (73° F)



### Dimensions (in.)

INCHES	mm	H	H1
1-1/2	50	5.51	2.95
2	63	5.75	3.25
2-1/2	75	6.18	3.64
3	90	6.46	4.15

### Wiring Diagram

