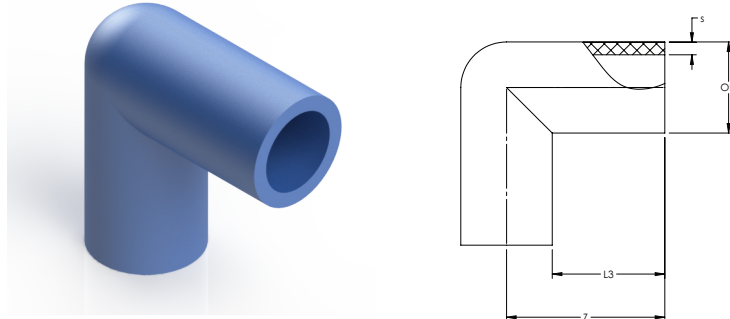


Air-Pro® Compressed Air Piping Butt Fittings

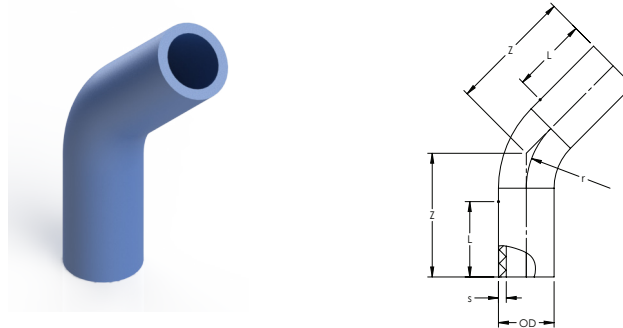


Asahi/America has expanded our offerings for the Air-Pro® compressed air piping system by adding four new style butt fittings. These four new fittings are available in 2" - 4", have a SDR rating of 7.4 and are currently in stock at our Lawrence, MA facility.



90 DEGREE SWEEP ELBOW

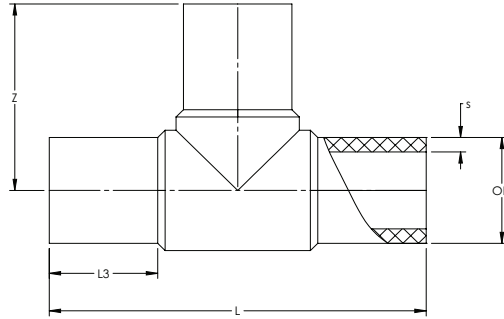
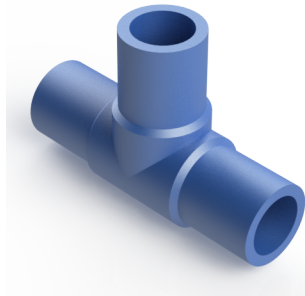
Size		Dimensions				SDR 7.4 / PN 16 / 230 PSI	
mm	inch	s	Z	L3	Weight (lbs)	Part Number	
63	2	0.34	4.29	2.99	0.68	580501020	
90	3	0.48	4.96	3.25	1.66	580501030	
110	4	0.59	5.73	3.46	2.69	580501040	



45 DEGREE SWEEP ELBOW - BUTT

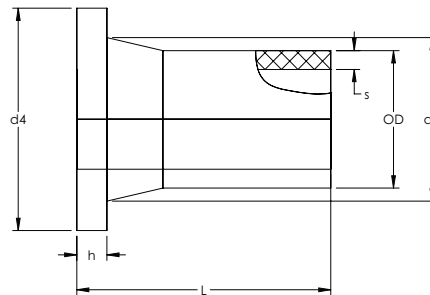
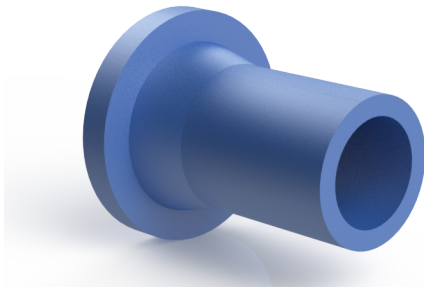
Size		Dimensions					SDR 7.4 / PN 16 / 230 PSI	
mm	inch	s	z	r	L	Weight (lbs)	Part Number	
63	2	0.34	6.69	3.74	3.94	1.10	580801020	
90	3	0.48	8.66	5.31	5.91	2.87	580801030	
110	4	0.59	9.45	6.50	5.91	4.85	580801040	

Air-Pro® Compressed Air Piping System Butt Fittings



TEE - BUTT

Size		Dimensions					SDR 7.4 / PN 16 / 230 PSI	
mm	inch	s	z	L	L3	Weight (lbs)	Part Number	
63	2	0.34	4.37	8.62	2.48	1.08	582001020	
90	3	0.48	5.55	11.18	3.11	2.81	582001030	
110	4	0.59	6.22	12.40	3.23	4.59	582001040	



STUB END* (FLANGE ADAPTER) - BUTT

Size		Dimensions						SDR 7.4 / PN 16 / 230 PSI	
mm	inch	s	L	d3	d4	h	Weight (lbs)	Part Number	
63	2	0.34	4.65	2.95	4.02	0.55	0.58	583301020	
90	3	0.48	5.51	4.13	5.43	0.67	1.33	583301030	
110	4	0.59	5.51	4.92	6.22	0.71	1.94	583301040	

*Backing ring required



New Product Announcement