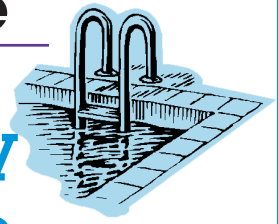


"Pool-Pro"® Type SP Butterfly Valve

New Product from Asahi/America



Introducing the First PVC Butterfly Valve Exclusively Designed for the Pool Service Industry

Valve Body
Can be completely
Submerged in
Chlorinated Water!



"A name you trust, a product priced the way you want"

NOW AVAILABLE:

Made in Malden, Massachusetts by a name you can trust, Asahi/America.

FULL SIZE RANGE:

Available in sizes 1 1/2" to 12".

ENGINEERED FOR FIELD OPTIONS:

ISO mount design allows for easy field installation options like stem extensions, gear operators, and electric or pneumatic actuation.

SELF GASKETING:

Seat design eliminates the need for mating flange gaskets.

NO MAINTENANCE REQUIRED:

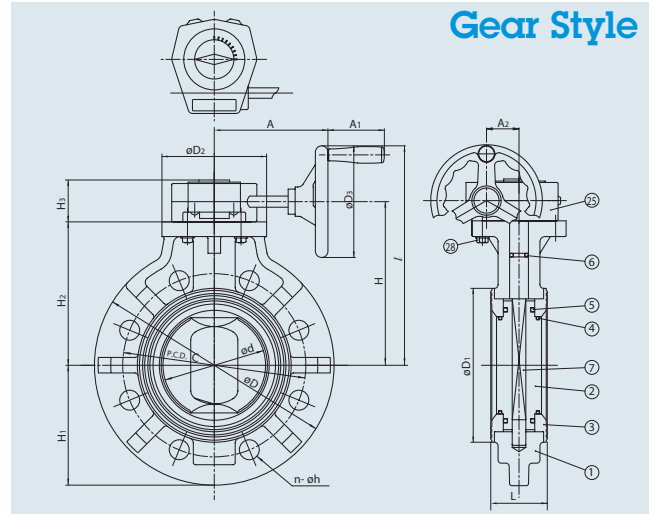
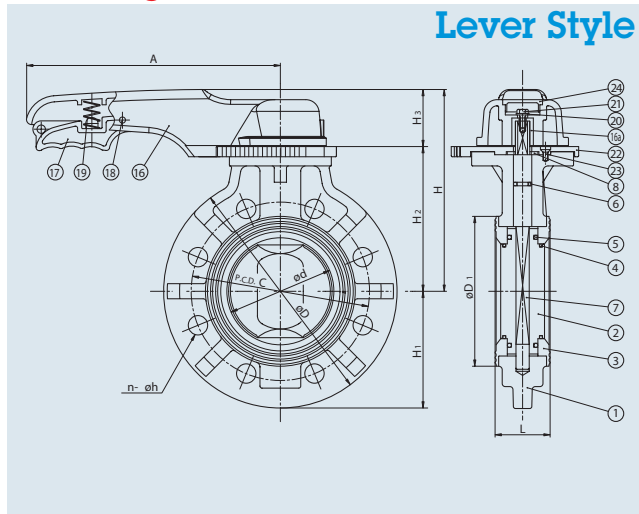
Thermoplastic material and Asahi design provide peace of mind and dependability. Once installed this new valve requires no additional maintenance, provided it is compatible with the service.



Ask for our
New "Pool-Pro"®
SP Butterfly Valve
By NAME !

NEW "Pool-Pro"™ Type SP Butterfly Valve

Drawings



Dimensions

NOMINAL SIZE		ANSI CLASS 150																					
INCHES	mm	d	C	n	h	D	D1	D2	D3	L	H (Lever)	H (Gear)	H1	H2 (Lever)	H2 (Gear)	H3 (Lever)	H3 (Gear)	I	A (lever)	A (Gear)	A1	A2	
1 1/2	40	1.85	3.88	4	0.62	5.91	3.23	3.94	6.30	1.54	6.14	4.88	2.95	3.94	3.74	2.20	2.36	8.03	8.66	6.57	3.15	1.85	
2	50	2.24	4.75	4	0.75	6.50	3.43	3.94	6.30	1.65	6.37	5.12	3.27	4.17	3.98	2.20	2.36	8.27	8.66	6.57	3.15	1.85	
2 1/2	65	2.80	5.50	4	0.75	7.28	4.41	3.94	6.30	1.81	6.81	5.55	3.66	4.61	4.41	2.20	2.36	8.70	8.66	6.57	3.15	1.85	
3	80	3.15	6.00	4	0.75	7.87	4.84	3.94	6.30	1.81	7.08	5.83	3.94	4.88	4.69	2.20	2.36	8.98	9.84	6.57	3.15	1.85	
4	100	4.13	7.50	8	0.75	9.02	5.79	3.94	6.30	2.20	7.79	6.54	4.53	5.59	5.39	2.20	2.36	9.69	9.84	6.57	3.15	1.85	
6	150	6.06	9.50	8	0.88	11.22	8.27	6.50	6.30	2.80	10.00	8.11	5.63	7.28	6.97	2.72	2.36	11.26	12.60	6.57	3.15	1.85	
8	200	8.03	11.75	8	0.88	13.39	10.12	7.87	7.87	3.43	11.26	9.37	6.69	8.54	8.23	2.72	2.36	12.52	15.75	6.57	3.15	1.85	
10	250	10.08	14.25	12	1.00	15.98	12.44	7.87	7.87	4.33	-	10.63	7.99	-	9.49	-	2.36	14.57	-	7.83	3.74	2.36	
12	300	12.60	17.00	12	1.00	19.02	14.57	9.25	9.84	5.08	-	12.87	9.53	-	11.73	-	2.72	17.80	-	8.35	3.74	2.99	

Parts List

PARTS			
NO.	DESCRIPTION	PCS.	MATERIAL
1	Body	1	PVC
2	Disc	1	PVC
3	Seat	1	EPDM
4	O-Ring (A) *	2	EPDM
5	O-Ring (B)	2	EPDM
6	O-Ring (C)	1	EPDM
7	Stem	1	Stainless Steel 316
8	Stem Holder	1	Stainless Steel 304
16	Handle	1	PP
16a	Metal Insert in Handle	1	Stainless Steel 316
17	Handle Lever	1	PPG
18	Pin	1	PPG
19	Spring	1	Stainless Steel 304
20	Washer (A)	1	Stainless Steel 304
21	Bolt (B)	1	Stainless Steel 304
22	Locking Plate	1	PPG
23	Screw (B)	4	Stainless Steel 304
24	Cap (A)	1	PP
25	Gear Box	1	Diecast Aluminum Power Coated **
28	Bolt (C)	4	Stainless Steel 304

* Used for sizes 2" through 12"
** Consult Factory for Submerged Applications

Sample Specifications

All "Pool-Pro" Type SP Butterfly Valves sizes 1 1/2"-12" shall be of a Pvc Body, Pvc Disc and Epdm construction suitable for Chlorinated water applications. Stem shall be of 316 stainless steel and non-wetted. Valves shall be a self-gasketing design with a convex sealing arrangement. All "Pool-Pro" Type SP (1 1/2"-10") valves shall be rated to 150 psi and size (12") 100 psi at 70 degrees F as manufactured by Asahi/America.

Features and Benefits

Submersible:

Material of construction allows complete submersion of valve body as all components are compatible with Chlorinated water.

PVC/PVC/EPDM Construction:

Ideal for Chlorinated water applications.

Blue Handle Design:

New blue handle designates the proper valve is in place for Chlorinated water applications.

316SS Non-wetted stem:

Stem does not come in contact with the media but is still compatible if in direct contact.

Thermoplastic Material:

Lightweight construction allows for easy installation.

ISO Mounting Pad:

Allows for field mounting of accessories including stem extensions, gear operators & automation.

Pressure vs Temperature

NOMINAL SIZE		30 °F 120 °F	
INCHES	mm	150 PSI	100 PSI
1 1/2	40	150 PSI	100 PSI
2	50	150 PSI	100 PSI
2 1/2	65	150 PSI	100 PSI
3	80	150 PSI	100 PSI
4	100	150 PSI	100 PSI
6	150	150 PSI	100 PSI
8	200	150 PSI	100 PSI
10	250	150 PSI	100 PSI
12	300	150 PSI	100 PSI

Weight

NOMINAL SIZE		Lever/Gear Operated
INCHES	mm	
1 1/2 (L)	40	2.7 LBS
2 (L)	50	3.1 LBS
2 1/2 (L)	65	3.5 LBS
3 (L)	80	4.0 LBS
4 (L)	100	5.5 LBS
6 (L)	150	13.3 LBS
8 (L)	200	19.9 LBS
8 (G)	250	24.3 LBS
10 (G)	300	41.0 LBS
12 (G)	350	58.4 LBS

CV Values

NOMINAL SIZE		Cv (at various opening degrees)		
INCHES	mm	30°	60°	90°
1 1/2	40	2.9	43.3	71
2	50	3.9	56.1	92
2 1/2	65	5.9	85.4	140
3	80	9.3	134	220
4	100	15.1	231	380
6	150	46.6	671	1100
8	200	106	1425	2500
10	250	270	1476	3600
12	300	408	2140	5160