



35 Green Street, PO Box 653, Malden, MA 02148 • Tel: 781-321-5409 • Fax: 781-321-4421
Internet: www.asahi-america.com • Email: asahi@asahi-america.com

Date: 08/01/11
To: Asahi/America Distributors
From: Asahi/America Sales and Engineering
Subject: Introduction of the Type-57IL Isolator Lug
Size Range: 3" – 12" Lever and Plasgear™

Asahi/America, Inc. has improved upon the Type-57L lug body concept with the new Type-57IL Isolator Lug. The 316SS Isolator lugs are inserted at the time of injection molding, factory retaining the lug in the PVC valve body. This concept permits either side flange removal, to accommodate a variety of lug valve applications.

Inventory:

We will begin supplying the Type-57IL on new orders effective 9/5/11

Pricing and Ordering Information:

Pricing base was the Type-57L, which was increased for List Price sheet #46A. The part numbering system is based on our standard 7-digit 57L, with the addition of prefix '11'.

Example:

Old - 3772030 – 3" PVC/EPDM/PP T-57L Lever 316SS Lugs

New – 113772030 – 3" PVC/EPDM/PP T-57IL Lever 316SS Lugs

Features and Benefits Type-57IL Isolator Lug:

All the same proven features of the existing Type-57 with the addition of:

- 3" through 12" size range
- PVC body is factory molded with unique 316SS lug inserts
- Non-directional valve capable of full pressure rating with NO downstream flange
- Has the ability to have either side flange removed

Type-57IL Isolator Lug Butterfly Valve Accessories

- Actuation (Electric and Pneumatic)
- 2" square operating nuts and T-nuts
- Locking devices
- Manual limit switch kits
- 1 and 2-piece stem extensions, in a variety of materials
- Optional seat/seal materials, and stem materials

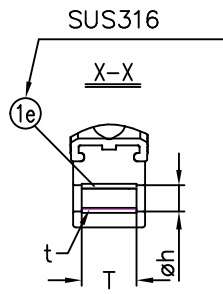
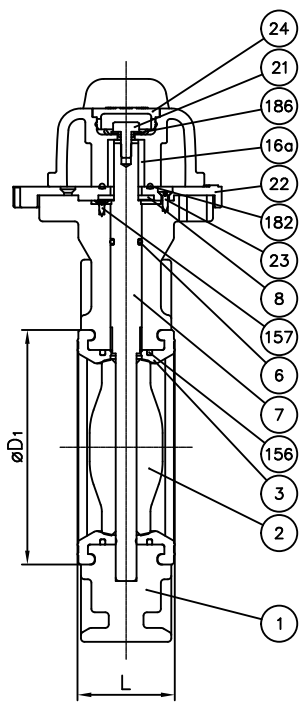
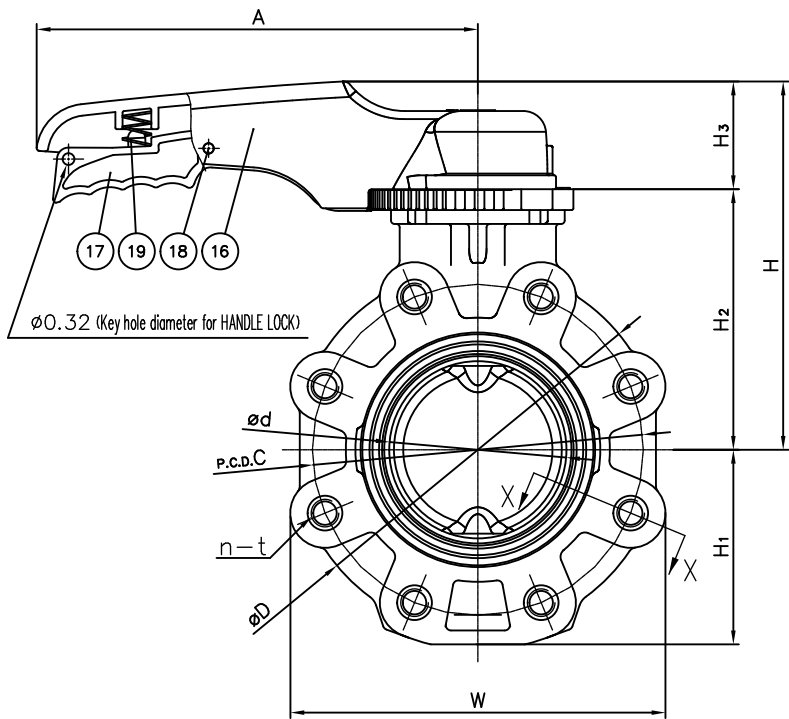
If you have any questions or concerns, please consult your Asahi/America District Sales Manager, or our Customer Service Department, also please visit our website @ WWW.asahi-america.com for more detailed catalog cut sheets and information.



Thermoplastic
Valves,
Actuation
& Controls

www.asahi-america.com

Another
Corrosion
Problem
Solved.™



157	SCREW(F)	4	STAINLESS STEEL 304	
156	LINER STABILIZATION RING	2	STAINLESS STEEL (SCS13)	
24	CAP (A)	1	PP	
23	SCREW(B)	4	STAINLESS STEEL 304	
22	LOCKING PLATE	1	PPG	
21	BOLT(B)	1	STAINLESS STEEL 304	
20	WASHER(A)	1	STAINLESS STEEL 304	
19	SPRING	1	STAINLESS STEEL 304	
18	PIN	1	PPG	
17	HANDLE LEVER	1	PPG	
16a	INSERTED METAL OF HANDLE	1	STAINLESS STEEL 316L	
16	HANDLE(A)	1	PP	
8	STEM RETAINER (A)	1	PP	
7	STEM	1	<input type="checkbox"/> STAINLESS STEEL 316 <input type="checkbox"/> Others ()	
6	O-RING (O)	1	<input type="checkbox"/> EPDM <input type="checkbox"/> FKM <input type="checkbox"/> Others ()	
3	SEAT	1	<input type="checkbox"/> Others ()	
2	DISC	1	<input type="checkbox"/> U-PVC <input type="checkbox"/> PP <input type="checkbox"/> PVDF	
1e	LUG		<input type="checkbox"/> STAINLESS STEEL 316	
1	BODY	1	U-PVC	
No.	DESCRIPTION	No.REQ'D	MATERIAL	REMARKS

DIMENSIONS TABLE

Unit : inch

Nominal Size	ANSI150lb											A	W	T	t	
	d	C	n	h	D	D ₁	L	H	H ₁	H ₂	H ₃					
3	80	3.03	6.00	4	0.75	7.28	4.13	1.81	7.52	3.82	5.31	2.20	9.84	7.09	1.26	5/8-11 UNC
4	100	4.02	7.50	8	0.75	8.27	5.28	2.20	8.11	4.41	5.91	2.20	9.84	8.50	1.52	5/8-11 UNC
6	150	5.91	9.50	8	0.87	10.63	7.48	2.80	9.92	5.55	7.20	2.72	12.60	10.67	1.97	3/4-10 UNC
8	200	7.68	11.75	8	0.87	12.60	9.53	3.43	11.14	6.61	8.43	2.72	15.75	12.76	2.26	3/4-10 UNC

NOTE. The shape and appearance of assembly differ a little with nominal size compared to this drawing.

THIS DRAWING AND ALL INFORMATION HEREON IS THE PROPERTY OF ASAHI/AMERICA. ANY COPYING, REPRODUCTION OR UNAUTHORIZED USE IS FORBIDDEN WITHOUT WRITTEN CONSENT.

DR	JEFF HUGHES	6/27/11
APPD	DAVE HURLEY	6/27/11
PROD		
WO#/CO#		
FILE		

ASAHI/AMERICA

ISO 9001 CERTIFIED
35 GREEN STREET, P.O. BOX 653, MALDEN, MA.



BUTTERFLY VALVE TYPEIL57
LEVER TYPE (LUG STYLE)
3" THRU 8"

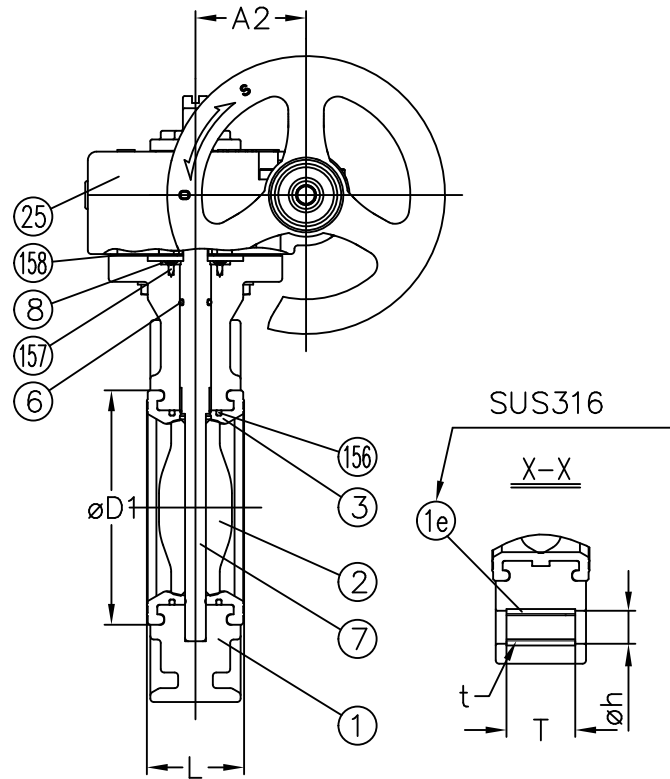
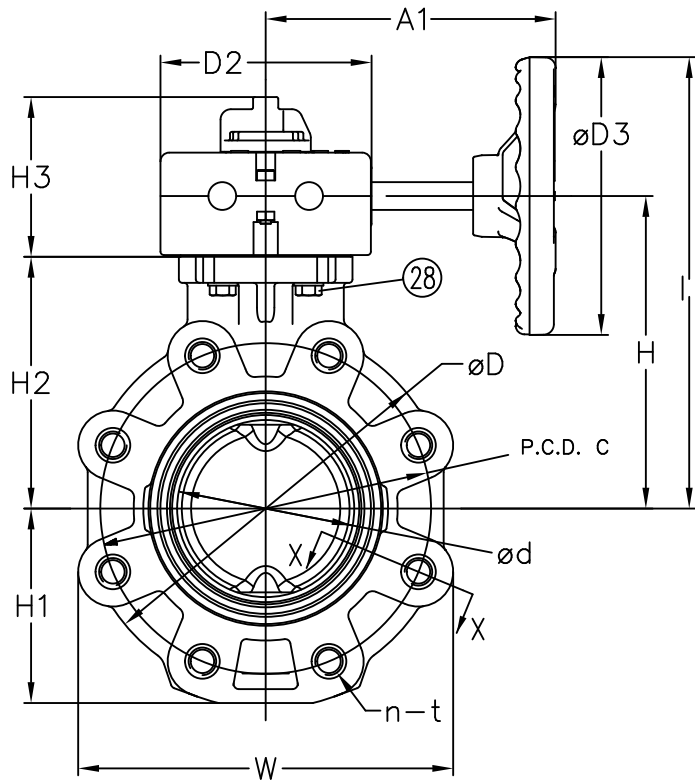
SIZE	A	DWG. NO.	0171BF57ILUG	REV	A
SCALE	NTS		SHEET 1 OF 1		

DIMENSION TABLE

UNIT : inch

NOMINAL SIZE	ANSI 150lb																			Number of handle wheel rotation	GEAR BOX TYPE	
	inch	mm	d	C	n	h	D	D1	D2	D3	L	H	H1	H2	H3	I	A1	A2	W			T
3	80	3.03	6.00	4	0.75	7.28	4.13	4.80	6.30	1.81	6.50	3.82	5.12	3.62	9.65	6.57	2.52	7.09	1.37	5/8-11 UNC	9.5	TYPE24
4	100	4.02	7.50	8	0.75	8.27	5.28	4.80	6.30	2.20	7.09	4.41	5.71	3.62	10.24	6.57	2.52	8.50	1.37	5/8-11 UNC		
6	150	5.91	9.50	8	0.87	10.63	7.48	4.80	6.30	2.80	8.27	5.55	6.89	3.62	11.42	6.57	2.52	10.67	2.15	3/4-10 UNC		
8	200	7.68	11.75	8	0.87	12.60	9.53	4.80	6.30	3.43	9.49	6.61	8.11	3.62	12.64	6.57	2.52	12.76	2.15	3/4-10 UNC		
10	250	9.84	14.25	12	0.98	15.75	11.89	4.80	6.30	4.41	10.87	7.95	9.49	3.62	14.02	6.57	2.52	15.91	3.14	7/8-9 UNC		
12	300	11.93	17.01	12	0.98	18.31	14.17	7.40	11.81	5.08	13.39	9.29	11.73	4.25	19.29	9.53	3.90	18.54	3.14	7/8-9 UNC	TYPE243	

NOTE. The shape and appearance of assembly differ a little with nominal size compared to this drawing.



158	GASKET (L)	1	EPDM	
157	SCREW (F)	4	STAINLESS STEEL 304	
156	LINER STABILIZATION RING	2	STAINLESS STEEL (SCS13)	
28	BOLT (C)	4	STAINLESS STEEL 304	
25	GEAR BOX	1	PLASTIC, ETC.	
8	STEM RETAINER (A)	1	PP	
7	STEM	1	<input type="checkbox"/> STAINLESS STEEL 316 <input type="checkbox"/> Others ()	
6	O-RING(O	1	<input type="checkbox"/> EPDM <input type="checkbox"/> FKM <input type="checkbox"/> Others ()	
3	SEAT	1	<input type="checkbox"/> U-PVC <input type="checkbox"/> PP <input type="checkbox"/> PVDF	
2	DISC	1	<input type="checkbox"/> U-PVC <input type="checkbox"/> PP <input type="checkbox"/> PVDF	
1e	LUG	—	<input type="checkbox"/> STAINLESS STEEL 316	
1	BODY	1	U-PVC	
No.	DESCRIPTION	No.REQ'D	MATERIAL	REMARKS

THIS DRAWING AND ALL INFORMATION HEREON IS THE PROPERTY OF ASAHI/AMERICA. ANY COPYING, REPRODUCTION OR UNAUTHORIZED USE IS FORBIDDEN WITHOUT WRITTEN CONSENT.

	NAME	DATE
DR	JEFF HUGHES	6/9/11
APPD	DAVE HURLEY	6/9/11
PROD		
WO#/CO#		
FILE		

ASAHI/AMERICA

ISO 9001 CERTIFIED

35 GREEN STREET, P.O. BOX 653, MALDEN, MA.

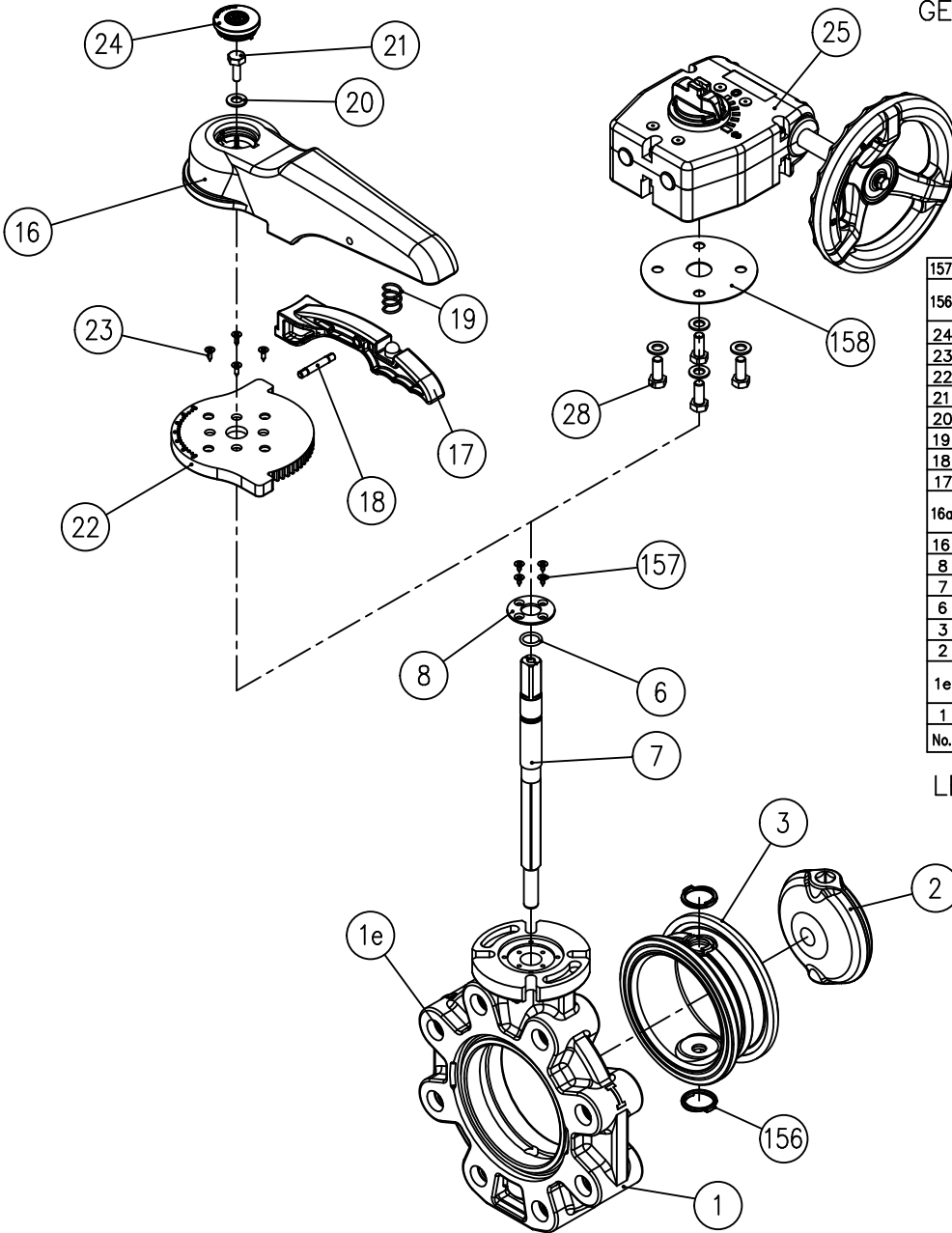


BUTTERFLY VALVE TYPE IEL57
GEAR TYPE (LUG STYLE)
3" THRU 12"

SIZE	DWG. NO.	REV
A	0172BF57ILUG	A
SCALE	NTS	SHEET 1 OF 1

158	GASKET (L)	1	EPDM	
157	SCREW (F)	4	STAINLESS STEEL 304	
156	LINER STABILIZATION RING	2	STAINLESS STEEL (SCS13)	
28	BOLT (C)	4	STAINLESS STEEL 304	
25	GEAR BOX	1	PLASTIC, ETC.	
8	STEM RETAINER (A)	1	PP	
7	STEM	1	STAINLESS STEEL 316	
6	O-RING (O)	1	EPDM, FKM, etc.	
3	SEAT	1		
2	DISC	1	U-PVC, PP, PVDF	
1e	LUG		STAINLESS STEEL 316	
1	BODY	1	U-PVC	
No.	DESCRIPTION	No.REQ'D	MATERIAL	REMARKS

GEAR



157	SCREW (F)	4	STAINLESS STEEL 304	
156	LINER STABILIZATION RING	2	STAINLESS STEEL (SCS13)	
24	CAP (A)	1	PP	
23	SCREW(B)	4	STAINLESS STEEL 304	
22	LOCKING PLATE	1	PPG	
21	BOLT (B)	1	STAINLESS STEEL 304	
20	WASHER(A)	1	STAINLESS STEEL 304	
19	SPRING	1	STAINLESS STEEL 304	
18	PIN	1	PPG	
17	HANDLE LEVER	1	PPG	
16a	INSERTED METAL OF HANDLE	1	STAINLESS STEEL 316L	
16	HANDLE(A)	1	PP	
8	STEM RETAINER (A)	1	PP	
7	STEM	1	STAINLESS STEEL 316	
6	O-RING (O)	1	EPDM, FKM, etc.	
3	SEAT	1		
2	DISC	1	U-PVC, PP, PVDF	
1e	LUG	—	STAINLESS STEEL 316	
1	BODY	1	U-PVC	
No.	DESCRIPTION	No.REQ'D	MATERIAL	REMARKS

LEVER

THIS DRAWING AND ALL INFORMATION HEREON IS THE PROPERTY OF ASAHI/AMERICA. ANY COPYING, REPRODUCTION OR UNAUTHORIZED USE IS FORBIDDEN WITHOUT WRITTEN CONSENT.

	NAME	DATE
DR	JEFF HUGHES	6/15/11
APPD	DAVE HURLEY	6/15/11
PROD		
WO#/SO#		
FILE		

ASAHI/AMERICA

ISO 9001 CERTIFIED

35 GREEN STREET, P.O. BOX 653, MALDEN, MA.

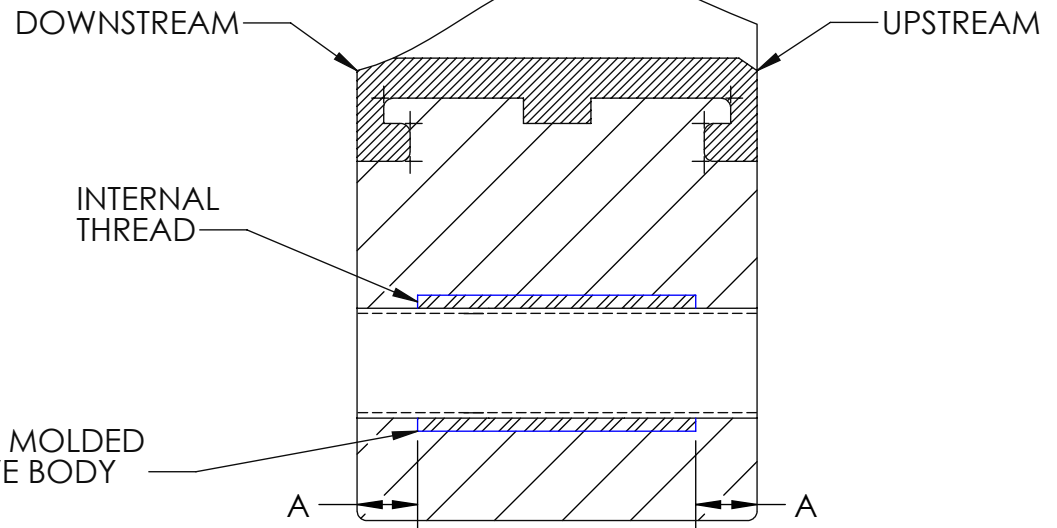
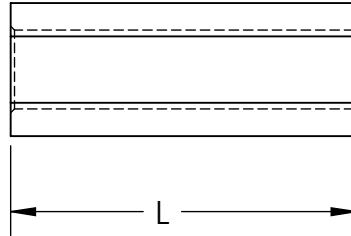
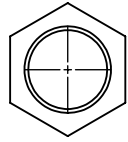


BUTTERFLY VALVE TYPE57
EXPLODED VIEW GEAR TYPE
(LUG STYLE) 3" THRU. 12"

SIZE	A	DWG. NO.	0181BF57ILUG	REV	A
SCALE	NTS	SHEET 1 OF 1			

REV	DATE	DESCRIPTION	BY	APP'D
A	6/27/11	FIRST ISSUE	JH	DH

3"-12"
T-57IL LUG



CROSS SECTION OF VALVE BODY

VALVE SIZE	T	L	A
3	5/8-11 UNC	1.370	.220
4	5/8-11 UNC	1.370	.410
6	3/4-10 UNC	2.150	.325
8	3/4-10 UNC	2.150	.640
10	7/8-9 UNC	3.140	.635
12	7/8-9 UNC	3.140	.970

NOTES:
1. DIMENSION "A" MUST BE FACTORED IN WHEN CALCULATING BOLT LENGTHS.

UNLESS OTHERWISE SPECIFIED DIMENSIONS ARE IN INCHES MACHINING TOLERANCES: 2 PL DECIMALS ± .01 3 PL DECIMALS ± .005 ANGULAR ± 1/2° FRACTIONAL ± 1/64 FABRICATION TOLERANCES: 1/2" - 8" ± 1/4 10" AND UP ± 1/2 ANGULAR ± 1.0°	THIS DRAWING AND ALL INFORMATION HEREON IS THE PROPERTY OF ASAHI/AMERICA. ANY COPYING, REPRODUCTION OR UNAUTHORIZED USE IS FORBIDDEN WITHOUT WRITTEN CONSENT.		ASAHI/AMERICA ISO 9001 CERTIFIED 35 GREEN STREET, P.O. BOX 653, MALDEN, MA.												
	<table border="1"> <thead> <tr> <th></th> <th>NAME</th> <th>DATE</th> </tr> </thead> <tbody> <tr> <td>DR</td> <td>J. HUGHES</td> <td>6/27/11</td> </tr> <tr> <td>APPD</td> <td>D. HURLEY</td> <td>6/27/11</td> </tr> <tr> <td>PROD</td> <td></td> <td></td> </tr> </tbody> </table>		NAME	DATE		DR	J. HUGHES	6/27/11	APPD	D. HURLEY	6/27/11	PROD			3" THRU 12" INTERNAL THREAD DEPTH T57IL
	NAME	DATE													
DR	J. HUGHES	6/27/11													
APPD	D. HURLEY	6/27/11													
PROD															
MATERIAL SS FINISH 125 μ"	PRODUCT BF LUGS WO#/CO#		SIZE A DWG. NO. M02BF4948 SCALE SCALE 1:2	REV A SHEET 1 OF 1											