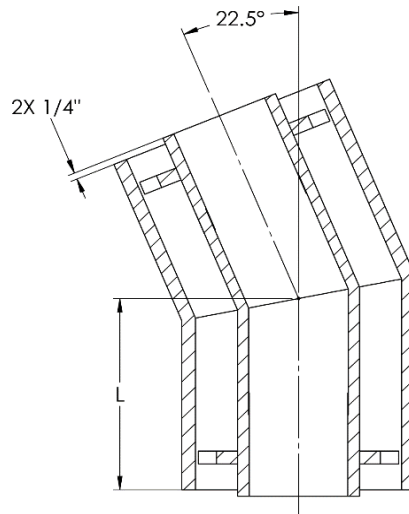


PIPE

SIZE (inch)	SDR	DIMENSIONS (inch)				Weight (lb/ft)	Part Number
		OD1	OD2	ID1	ID2		
1 x 3	11 x 11	1.32	3.50	1.08	2.86	2.00	4001134
1-1/2 x 4	11 x 17	1.90	4.50	1.56	3.97	2.00	4002415
2 x 4	11 x 17	2.38	4.50	1.94	3.97	3.00	4002420
3 x 6	11 x 17	3.50	6.63	2.86	5.85	5.00	4002531
4 x 8	11 x 17	4.50	8.63	3.68	7.61	8.00	4002583
6 x 10	11 x 17	6.63	10.75	5.42	9.49	14.00	4002627
8 x 12	11 x 17	8.63	12.75	7.06	11.25	22.00	4002660

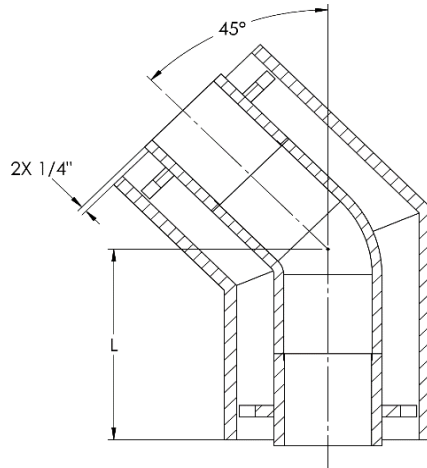
Pipe sold in 40' lengths



22.5 ELBOW

SIZE (inch)	SDR	DIMENSIONS (inch)	Weight (lb)	Part Number
		L		
1 x 3	11 x 11	4.00	3.00	4957134
1-1/2 x 4	11 x 17	4.50	3.00	4958415
2 x 4	11 x 17	4.50	4.00	4958420
3 x 6	11 x 17	6.70	8.00	4958531
4 x 8	11 x 17	7.40	12.00	4958583
6 x 10	11 x 17	7.60	21.00	4958627
8 x 12	11 x 17	9.30	44.00	4958660

All mitered fittings pressure rating is derated, see individual single wall piping for pressure rating.

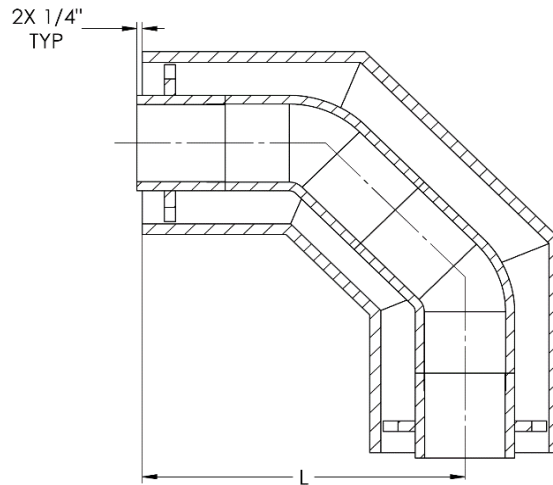


45 ELBOW

SIZE (inch)	SDR	DIMENSIONS (inch)	Weight (lb)	Part Number
		L		
1 x 3	11 x 11	4.57	3.00	4021134
1-1/2 x 4	11 x 17	5.06	4.00	4022415
2 x 4	11 x 17	5.06	5.00	4022420
3 x 6	11 x 17	7.38	6.00	4022531
4 x 8	11 x 17	8.25	10.00	4022583
6 x 10	11 x 17	8.75	32.00	4022627
8 x 12	11 x 17	10.63	50.00	4022660

Internal (carrier pipe) is a molded fitting at full pressure rating of the pipe. Exterior (containment pipe) is a mitered fitting at reduced pressure rating. See single wall pipe fittings for pressure rating.

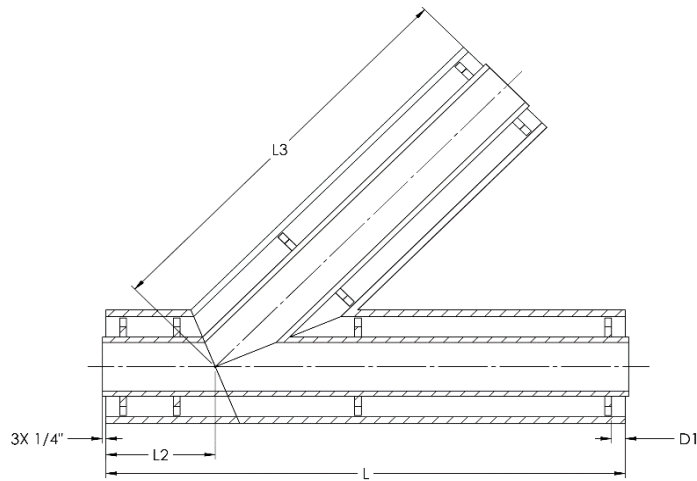
1 x 3 through 2 x 4 sizes are molded fittings, fully pressure rated



90 ELBOW

SIZE (inch)	SDR	DIMENSIONS (inch)	Weight (lb)	Part Number
		L		
1 x 3	11 x 11	5.67	5.00	4011134
1-1/2 x 4	11 x 17	10.89	6.00	4012415
2 x 4	11 x 17	10.89	8.00	4012420
3 x 6	11 x 17	13.19	13.00	4012531
4 x 8	11 x 17	14.60	20.00	4012583
6 x 10	11 x 17	16.59	37.00	4012627
8 x 12	11 x 17	20.00	62.00	4012660

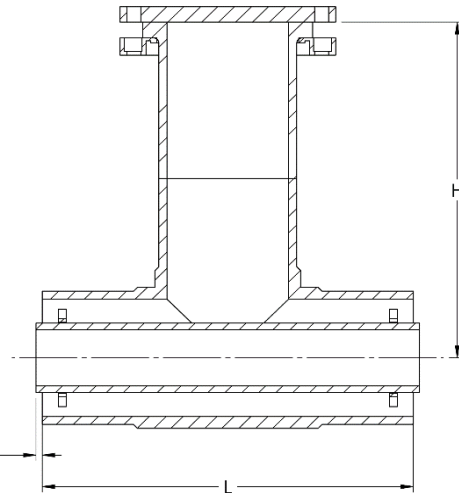
Internal (carrier pipe) is a molded fitting at full pressure rating of the pipe. Exterior (containment pipe) is a mitered fitting at reduced pressure rating. See single wall pipe fittings for pressure rating.



LATERAL

SIZE (inch)	SDR	DIMENSIONS (inch)			Weight (lb)	Part Number
		L	L2	L3		
2 x 4	11 x 17	29.00	7.00	22.00	25.00	4047420
3 x 6	11 x 17	35.00	7.00	28.00	41.00	4047531
4 x 8	11 x 17	38.00	8.00	30.00	62.00	4047583
6 x 10	11 x 17	39.00	8.00	31.00	122.00	4047627
8 x 12	11 x 17	44.00	11.00	33.00	202.00	4047660

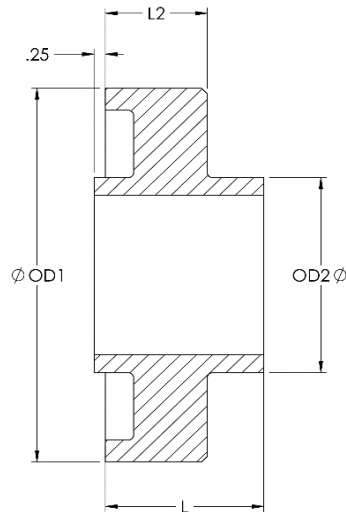
All mitered fittings pressure rating is derated, see individual single wall piping for pressure rating.



ACCESS TEE

SIZE (inch)	SDR	DIMENSIONS (inch)		Weight (lb)	Part Number
		L	H		
1 x 3	11 x 11	11.61	11.51	6.00	4011134
1-1/2 x 4	11 x 17	13.58	12.50	8.00	4012415
2 x 4	11 x 17	13.58	12.50	8.00	4012420
3 x 6	11 x 17	17.72	16.55	17.00	4012531
4 x 8	11 x 17	23.23	21.75	35.00	4012583
6 x 10	11 x 17	26.80	24.64	59.00	4012627
8 x 12	11 x 17	28.80	24.85	93.00	4012660

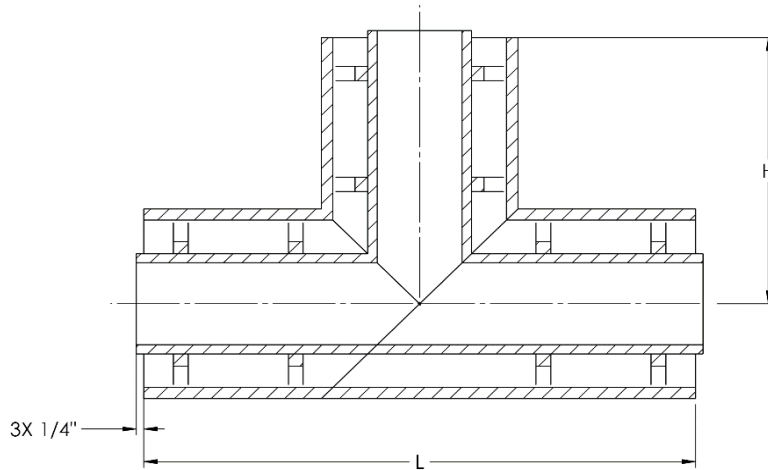
Internal (carrier pipe) is a molded fitting at full pressure rating of the pipe. Exterior (containment pipe) is a mitered fitting at reduced pressure rating. See single wall pipe fittings for pressure rating.



END TERM

SIZE (inch)	SDR	DIMENSIONS (inch)				Weight (lb)	Part Number
		OD1	OD2	L	L2		
1 x 3	11 x 11	3.50	1.32	3.00	2.00	1.00	4940134
1-1/2 x 4	11 x 17	4.50	1.90	3.00	2.25	1.00	4941415
2 x 4	11 x 17	4.50	2.38	3.00	2.25	1.00	4941420
3 x 6	11 x 17	6.63	3.50	3.50	2.25	2.00	4941531
4 x 8	11 x 17	8.63	4.50	3.50	2.25	4.00	4941583
6 x 10	11 x 17	10.75	6.63	3.50	2.50	6.00	4941627
8 x 12	11 x 17	12.75	8.63	4.00	3.00	10.00	4941660

1 x 3 and 2 x 4 sizes are molded fittings, fully pressure rated



TEE

SIZE (inch)	SDR	DIMENSIONS (inch)			Part Number
		L (in)	H (in)	Weight (lb)	
1 x 3	11 x 11	11.61	5.79	3.00	4032134*
1-1/2 x 4	11 x 17	13.58	6.79	4.00	4032415*
2 x 4	11 x 17	13.58	6.79	5.00	4032420**
3 x 6	11 x 17	18.60	9.30	10.00	4032531
4 x 8	11 x 17	24.60	12.30	24.00	4032583
6 x 10	11 x 17	26.80	13.40	43.00	4032627
8 x 12	11 x 17	28.80	14.40	65.00	4032660

*Sizes 1 x 3 and 2 x 4 sizes are molded fittings and have full pressure rating of SDR 11 pipe.

**Size 2 x 4 is made with molded parts and has full pressure rating of SDR 11 interior pipe and SDR 17 exterior pipe.

All others fabricated tees are made with mitered fittings which have a derated pressure rating of 140psi for SDR11 and 90psi for SDR 17.