

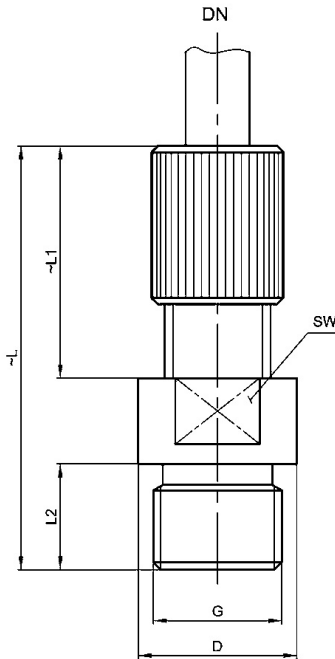


- 1) Available in HP quality (ISO Class 5 clean room)
- 2) Clamping ring for the use of flexible tubes ⇒ optimal protection against being pulled off ⇒ extreme tightness
- 3) Connector available in PP, natural PP, PVDF and PFA ⇒ high media resistance
- 4) Connection can be released at any time
- 5) Compact design, SW 10

The Series 1 M microconnectors were developed especially for use in medical, pharmaceutical and analytical system applications. They provide ideal connection features for PFA-, Silicone- or Tygon®-tubes. The microconnectors comprise a connector body with integrated conical connecting sleeve, a knurled nut for fixing the flexible tube and a slotted pressure ring. The pressure ring is not required for PFA flexible tubes. The connection is absolutely safe and leak-proof but can be undone at any time. The Series 1M is available in HP quality on request.

## Straight micro connector for flexible tube (Series 1M) and male G-thread

# 1



Article-Nr	Connection A	Connection B	Material
1M100MG0118PN	DN1/16"/1/8"	G1/8"	PP-NATUR
1M100MG0118PP	DN1/16"/1/8"	G1/8"	PP
1M100MG0118PV	DN1/16"/1/8"	G1/8"	PVDF
1M100MG0218PV	DN3/32"/3/16"	G1/8"	PVDF
1M100MG0318PP	DN1/8"/1/4"	G1/8"	PP
1M100MG0818PV	DN1/32"/3/32"	G1/8"	PVDF

### Technical data 1M...

Pressure stage	PN 6
----------------	------

### Materials 1M...

Body	PP	PP-nature	PVDF	PFA
Clamping ring	PVDF	PVDF	PVDF	PVDF
Knurled nut	PP	PVDF	PVDF	PVDF

### Dimensions 1M100MG...

DN	G	~L	~L1	~L2	ØD	SW
1/16"/1/8"	G 1/8"	30	15.5	8	12	10
3/32"/3/16"	G 1/8"	32	17.5	8	12	10
1/8"/1/4"	G 1/8"	32	17.5	8	12	10

## Straight micro connector for flexible tube (Series 1M) with male M-thread

# 1



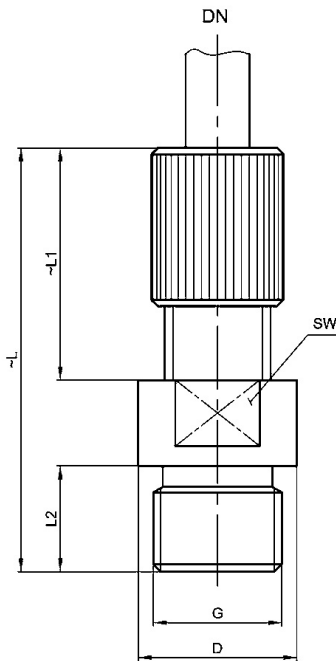
Article-Nr	Connection A	Connection B	Material
1M100MM0108PP	DN1/16"/1/8"	M8	PP
1M100MM0108PV	DN1/16"/1/8"	M8	PVDF

### Technical data 1M...

Pressure stage	PN 6
----------------	------

### Materials 1M...

Body	PP	PP-nature	PVDF	PFA
Clamping ring	PVDF	PVDF	PVDF	PVDF
Knurled nut	PP	PVDF	PVDF	PVDF



## Straight micro connector for flexible tube (Series 1M) and male NPT-thread

# 1



Article-Nr	Connection A	Connection B	Material
1M100MN0118PV	DN1/16"/1/8"	NPT1/8"	PVDF
1M100MN0318PV	DN1/8"/1/4"	NPT1/8"	PVDF

### Technical data 1M...

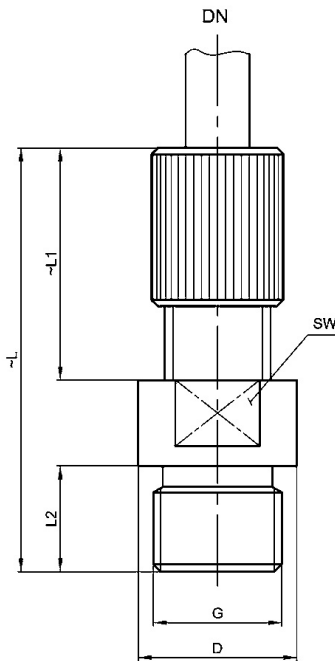
Pressure stage	PN 6
----------------	------

### Materials 1M...

Body	PP	PP-nature	PVDF	PFA
Clamping ring	PVDF	PVDF	PVDF	PVDF
Knurled nut	PP	PVDF	PVDF	PVDF

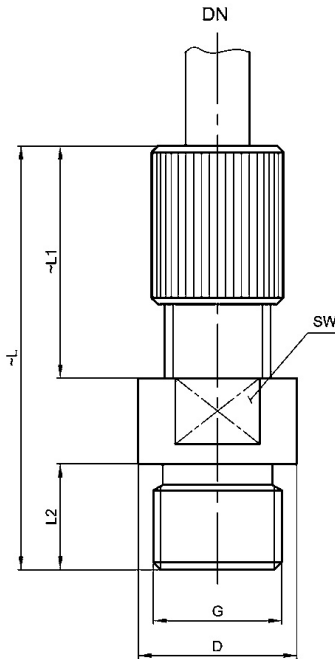
### Dimensions 1M100MN...

DN	G	~L	~L1	~L2	ØD	SW
1/16"/1/8"	NPT 1/8"	32	15.5	10	12	10
3/32"/3/16"	NPT 1/8"	34	17.5	10	12	10
1/8"/1/4"	NPT 1/8"	34	17.5	10	12	10



## Straight micro connector for flexible tube (Series 1M) and male UNF-thread

# 1



Article-Nr	Connection A	Connection B	Material
1M100MU0110PV	DN1/16"/1/8"	UNF10-32	PVDF
1M100MU0112PP	DN1/16"/1/8"	UNF1/4"	PP
1M100MU0112PV	DN1/16"/1/8"	UNF1/4"	PVDF
1M100MU0210PV	DN3/32"/3/16"	UNF10-32	PVDF
1M100MU0212PP	DN3/32"/3/16"	UNF1/4"	PP
1M100MU0212PV	DN3/32"/3/16"	UNF1/4"	PVDF
1M100MU0312PP	DN1/8"/1/4"	UNF1/4"	PP
1M100MU0312PV	DN1/8"/1/4"	UNF1/4"	PVDF
1M100MU3812PV	DN02/04	UNF1/4"	PVDF
1M100MU4010PV	DN04/06	UNF10-32	PVDF
1M100MU4012PP	DN04/06	UNF1/4"	PP
1M100MU4012PV	DN04/06	UNF1/4"	PVDF

### Technical data 1M...

Pressure stage	PN 6
----------------	------

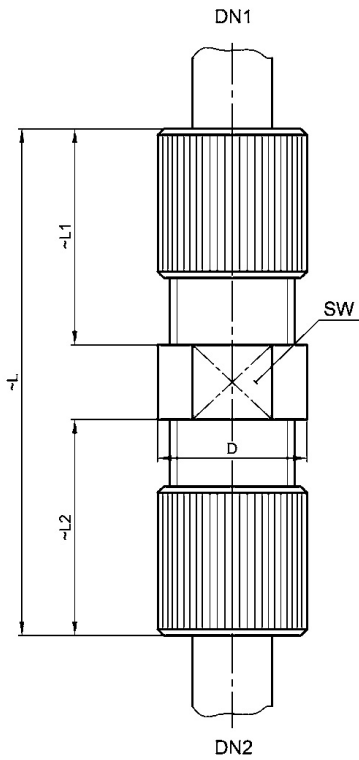
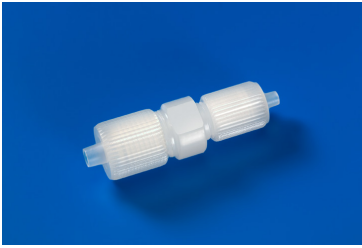
### Materials 1M...

Body	PP	PP-nature	PVDF	PFA
Clamping ring	PVDF	PVDF	PVDF	PVDF
Knurled nut	PP	PVDF	PVDF	PVDF

### Dimensions 1M100MU...

DN	G	~L	~L1	~L2	ØD	SW
1/16"/1/8"	UNF 1/4"	30	15.5	8	12	10
3/32"/3/16"	UNF 1/4"	32	17.5	8	12	10
1/8"/1/4"	UNF 1/4"	32	17.5	8	12	10

# Straight micro union for flexible tube on both ends (Series 1M)



Article-Nr	Connection A	Connection B	Material
1M100T01PN	DN1/16"/1/8"	DN1/16"/1/8"	PP-NATUR
1M100T01PP	DN1/16"/1/8"	DN1/16"/1/8"	PP
1M100T01PV	DN1/16"/1/8"	DN1/16"/1/8"	PVDF
1M100T0201PV	DN3/32"/3/16"	DN1/16"/1/8"	PVDF
1M100T0302PV	DN1/8"/1/4"	DN3/32"/3/16"	PVDF
1M100T03PV	DN1/8"/1/4"	DN1/8"/1/4"	PVDF
1M100T30PV	DN03/04	DN03/04	PVDF
1M100T40PV	DN04/06	DN04/06	PVDF

### Technical data 1M...

Pressure stage	PN 6
----------------	------

### Materials 1M...

Body	PP	PP-nature	PVDF	PFA
Clamping ring	PVDF	PVDF	PVDF	PVDF
Knurled nut	PP	PVDF	PVDF	PVDF

### Dimensions 1M100T...

DN1	DN2	~L	~L1	~L2	ØD	SW
1/16"/1/8"	1/16"/1/8"	37	15.5	15,5	8	6
3/32"/3/16"	3/32"/3/16"	42	17.5	17,5	10	8
1/8"/1/4"	1/8"/1/4"	43	17.5	17,5	12	10