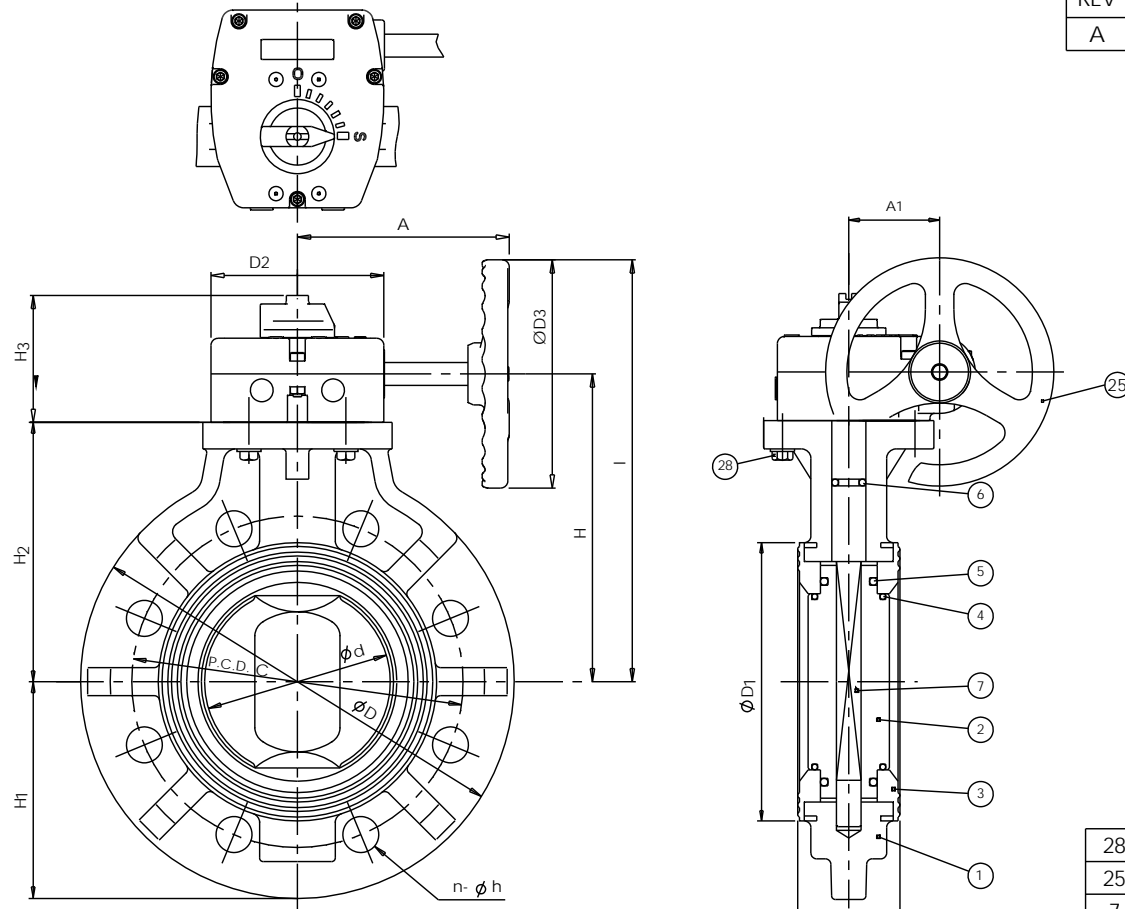


REV	DATE	DESCRIPTION	BY	FROM
A	11/10/14	FIRST ISSUE	JH	DH



DIMENSIONS TABLE

NOMINAL SIZE	ANSI Class 150				UNIT:inch																	GEAR BOX MODEL No.
	d	C	n	h	D	D1	D2	D3	L	H	H1	H2	H3	I	A	A1	Number of handle rotation					
1 1/2	40mm	1.85	3.88	4	0.62	5.91	3.23	4.80	6.30	1.54	5.12	2.95	3.74	3.74	8.27	6.57		2.52	9.5	241		
2	50	2.24	4.75	4	0.75	6.50	3.43	4.80	6.30	1.65	5.36	3.27	3.98	3.74	8.51	6.57	2.52					
2 1/2	65	2.80	5.50	4	0.75	7.28	4.41	4.80	6.30	1.81	5.79	3.66	4.41	3.74	8.94	6.57	2.52					
3	80	3.15	6.00	4	0.75	7.87	4.84	4.80	6.30	1.81	6.07	3.94	4.69	3.74	9.22	6.57	2.52					
4	100	4.13	7.50	8	0.75	9.02	5.79	4.80	6.30	2.20	6.77	4.53	5.39	3.74	9.92	6.57	2.52					
5	125	5.16	8.50	8	0.88	10.00	7.09	4.80	6.30	2.60	7.84	5.00	6.46	3.74	10.99	6.57	2.52					
6	150	6.06	9.50	8	0.88	11.22	8.27	4.80	6.30	2.80	8.35	5.63	6.97	3.74	11.50	6.57	2.52					
8	200	8.03	11.75	8	0.88	13.39	10.12	4.80	6.30	3.43	9.61	6.69	8.23	3.74	12.76	6.57	2.52					
10	250	10.08	14.25	12	1.00	15.98	12.44	4.80	6.30	4.33	10.87	7.99	9.49	3.74	14.02	6.57	2.52					
12	300	12.60	17.00	12	1.00	19.02	14.57	7.40	11.81	5.08	13.39	9.53	11.73	4.25	19.29	10.71	3.90	243				

28	BOLT (C)	4	□ STAINLESS STEEL 304	
25	GEAR BOX	1	PLASTIC, ETC	
7	STEM	1	□ S32101	
6	O-RING (C)	1	□ EPDM	
5	O-RING (B)	2		
4	O-RING (A)2	2		
3	SEAT	1	BODY / DISC □ PVC / PVC	
2	DISC	1		
1	BODY	1		
No.	DESCRIPTION	No. REQ'D	MATERIAL	REMARKS

NOTE: THE SHAPE AND APPEARANCE OF ASSEMBLY DIFFER A LITTLE WITH NOMINALSIZE COMPARED TO THIS DRAWING

<b>UNLESS OTHERWISE SPECIFIED</b>	
DIMENSIONS ARE IN INCHES	
MACHINING TOLERANCES:	2 PL DECIMALS ± .01 3 PL DECIMALS ± .005 ANGULAR ± 1/2° FRACTIONAL ± 1/64
FABRICATION TOLERANCES:	1/2" - 8" ± 1/4 10" AND UP ± 1/2 ANGULAR ± 1.0°
WELD TYPE:	
MATERIAL:	SEE ABOVE
FINISH:	125µ"

THIS DRAWING AND ALL INFORMATION HEREON IS THE PROPERTY OF ASAHI/AMERICA. ANY COPYING, REPRODUCTION OR UNAUTHORIZED USE IS FORBIDDEN WITHOUT WRITTEN CONSENT.

DR	J. Hughes	11/10/14
REV		
APPR	D. Hurley	11/10/14
PRODUCT:	VALVE & ACT	
WO#/CO#		

**ASAHI/AMERICA**  
ISO 9001 CERTIFIED  
655 ANDOVER STREET, LAWRENCE, MA



BUTTERFLY VALVE POOL PRO W/ PLASGEAR  
1-1/2" THRU 12"

JDE PART #	
SIZE A	DWG # 3793
REVISION	A
SCALE	N/A
SHEET	1 OF 1