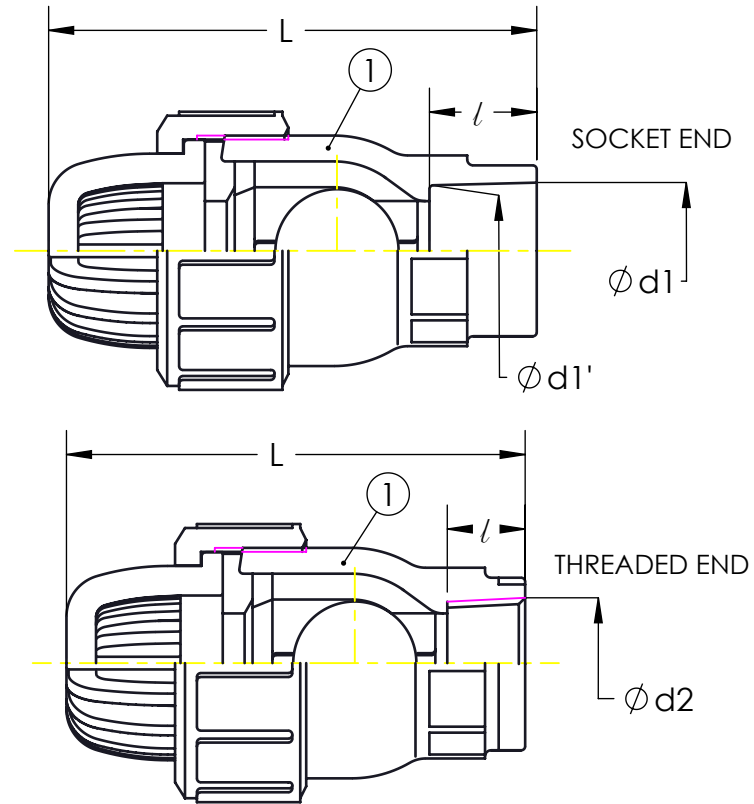
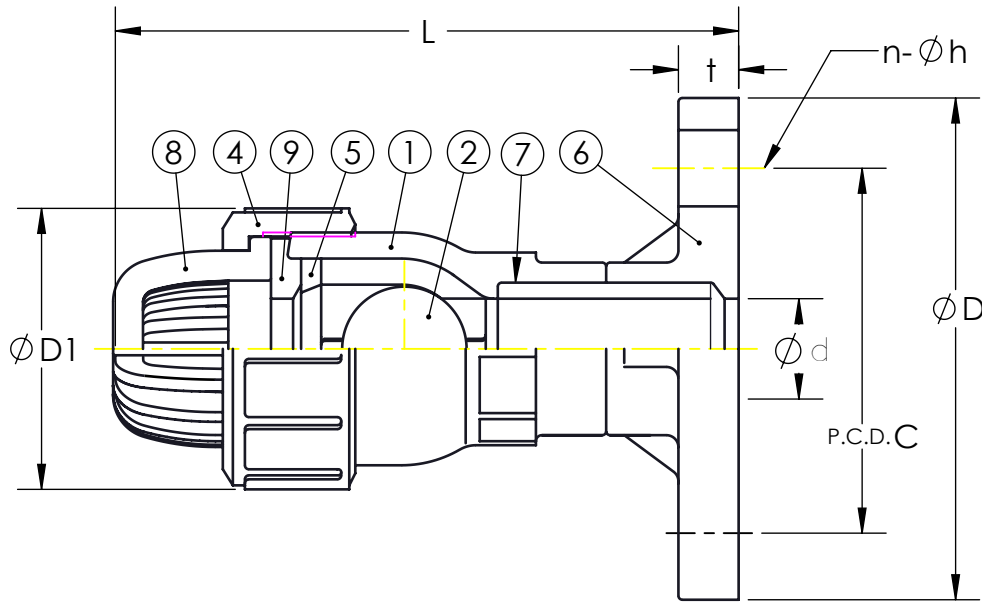


NOMINAL SIZE		d	D1	FLANGED END							SOCKET END				THREADED END			
				D	C	n	h	L		t	d1	d1'	l	L	d2	l	L	
								PVC C-PVC	PVDF PP								PVC C-PVC	PVDF PP
3	80mm	3.07	5.98	7.50	6.00	4	0.75	16.10	13.23	0.87	3.516	3.492	1.87	12.09	3-8NPT	1.38	11.57	11.34
4	100mm	3.94	8.27	9.00	7.50	8	0.75	20.41	16.34	0.87	4.516	4.491	2.00	14.96	4-8NPT	1.77	14.72	14.41

NOTE: ALL UNITS ARE INCHES
UNLESS OTHERWISE SPECIFIED



4a	RING '1	1	SS (SUS304)	1) Used for C-PVC body/threaded end: 15-25mm
9	SEAT	1	<input type="checkbox"/> EPDM <input type="checkbox"/> FKM <input type="checkbox"/> OTHER	
8	SCREEN	1	SOCKET <input type="checkbox"/> PVC <input type="checkbox"/> C-PVC FLANGED THREADED <input type="checkbox"/> PVC <input type="checkbox"/> C-PVC <input type="checkbox"/> PP <input type="checkbox"/> PVDF	2) Used for flanged end
7	FLANGE	1		
6	STUB (2)	1		
5	STOP RING (A)	1		
4	UNION NUT	1		
3	END CONNECTOR	1		
2	BALL	1		
1	BODY	1		
No.	DESC.	QTY.		

UNLESS OTHERWISE SPECIFIED

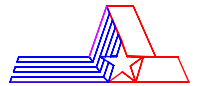
DIMENSIONS ARE IN INCHES

MACHINING	2 PL DECIMALS	± .01
TOLERANCES:	3 PL DECIMALS	± .005
	ANGULAR	± 1/2°
	FRACTIONAL	± 1/64
FABRICATION	1/2" - 8"	± 1/4
TOLERANCES:	10" AND UP	± 1/2
	ANGULAR	± 1.0°
MATERIAL:	PVDF - PVC-CPVC-PP	
FINISH:	N/A	

THIS DRAWING AND ALL INFORMATION
HEREON IS THE PROPERTY OF
ASAHI/AMERICA. ANY COPYING,
REPRODUCTION OR UNAUTHORIZED USE
IS FORBIDDEN WITHOUT WRITTEN
CONSENT.

	NAME	DATE
DR	C. Williams	9/30/09
APPD	Dave Hurley	9/30/09
PROD	Leo Lester	9/30/09
PRODUCT:	AOC VALVES	
WO#/CO#		

ASAHI/AMERICA
ISO 9001 CERTIFIED
35 GREEN STREET, P.O. BOX 653, MALDEN, MA.



3" & 4" BALL FOOT VALVE

SIZE	A	DWG. NO.	0036CH-A	REV	A
SCALE	1:1		SHEET		1 OF 1