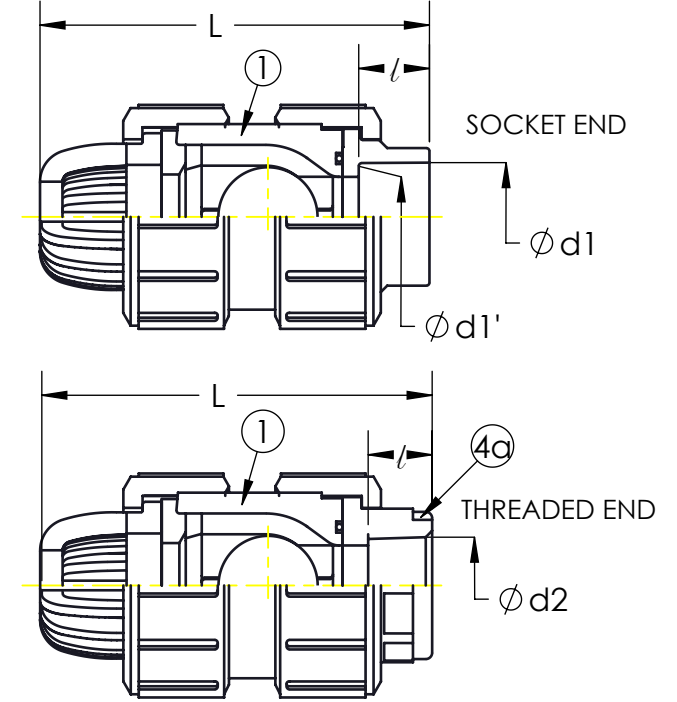
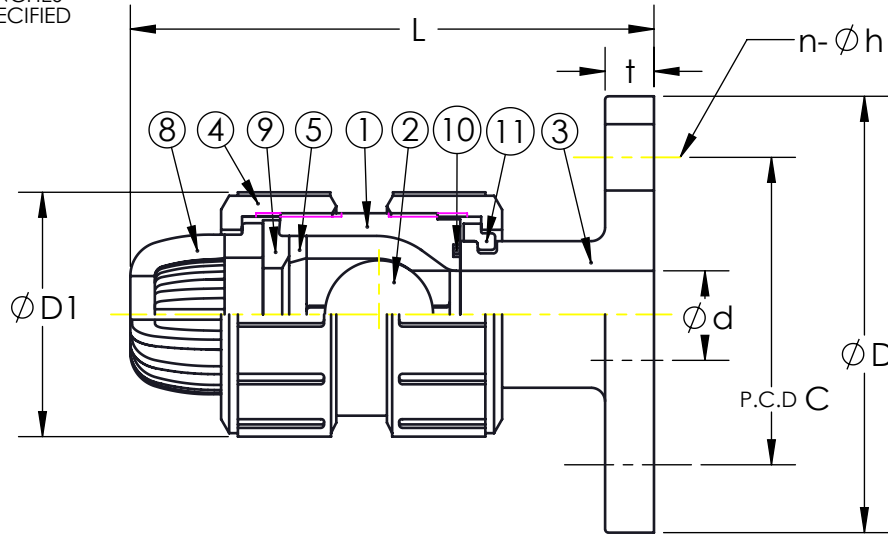


NOMINAL SIZE		FLANGED END									SOCKET END (IPS)				THREADED END							
		ANSI Class 150			L			PVC, C-PVC			PP, PVDF	d2		l		L						
		D	C	n	h	PVC C-PVC	PVDF PP	t	ASTM SCH40		PVC C-PVC					PVDF PP						
									d1	d1'		l	L									
1/2	15 _{mm}	.59	1.89	3.50	2.38	4	.62	4.61	4.53	.47	.848	.836	.69	3.74	.831	-	.874	3.58	1/2-14NPT	.59	3.74	3.62
3/4	20 _{mm}	.79	2.36	3.88	2.75	4	.62	5.39	5.31	.55	1.058	1.046	.72	4.25	1.041	-	1.000	4.49	3/4-14NPT	.67	4.33	4.21
1	25 _{mm}	.98	2.76	4.25	3.12	4	.62	5.87	5.79	.55	1.325	1.310	.87	4.80	1.305	-	1.260	4.72	1-(1 1/2)NPT	.79	4.84	4.72
1-1/2	32 _{mm}	1.57	3.78	5.00	3.88	4	.62	7.99	7.91	.63	1.912	1.894	1.09	7.17	1.889	-	1.374	7.28	(1 1/2)-(1 1/2)NPT	.98	7.17	7.05
2	40 _{mm}	2.01	4.17	6.00	4.75	4	.75	8.58	8.50	.63	2.387	2.369	1.16	7.72	2.364	-	1.500	7.80	2-(1 1/2)NPT	1.10	7.83	7.72

NOTE: ALL UNITS ARE INCHES UNLESS OTHERWISE SPECIFIED



4a	RING (1)	1	SS (SUS304)	1) Used for C-PVC body threaded end: 15-25mm 2) Used for flanged end
11	STOP-RING (B)	1	PVDF	
10	O-RING	1	<input type="checkbox"/> EPDM <input type="checkbox"/> FKM <input type="checkbox"/> OTHER	
9	SEAT	1		
8	SCREEN	1		
7	FLANGE	1		
6	STUB (2)	1		
5	STOP RING (A)	1		
4	UNION NUT	2		
3	END CONNECTOR	1		
2	BALL	1		
1	BODY	1		
No.	DESC.	QTY.	MATERIAL	REMARKS

UNLESS OTHERWISE SPECIFIED	
DIMENSIONS ARE IN INCHES	
MACHINING	2 PL DECIMALS ± .01
TOLERANCES:	3 PL DECIMALS ± .005
	ANGULAR ± 1/2°
	FRACTIONAL ± 1/64
FABRICATION	1/2" - 8" ± 1/4
TOLERANCES:	10" AND UP ± 1/2
	ANGULAR ± 1.0°
MATERIAL:	PVDF - PVC-CPVC-PP
FINISH:	N/A

THIS DRAWING AND ALL INFORMATION HEREON IS THE PROPERTY OF ASAHI/AMERICA. ANY COPYING, REPRODUCTION OR UNAUTHORIZED USE IS FORBIDDEN WITHOUT WRITTEN CONSENT.	
NAME	DATE
DR <i>C. Williams</i>	9/30/09
APPD <i>Dave Hurley</i>	9/30/09
PROD <i>Leo Lester</i>	9/30/09
PRODUCT:	AOC VALVES
WO#/CO#	

ASAHI/AMERICA
ISO 9001 CERTIFIED
35 GREEN STREET, P.O. BOX 653, MALDEN, MA.

1/2" - 2" TRU UNION BALL FOOT VALVE

SIZE A	DWG. NO. 0037CH-A	REV A
SCALE 1:1	SHEET 1 OF 1	