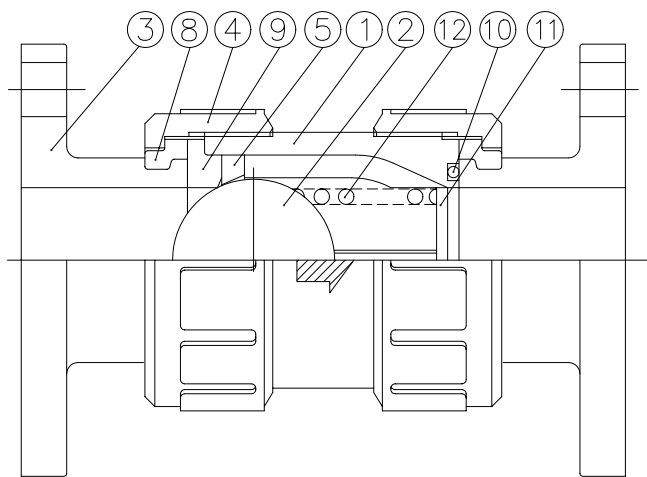
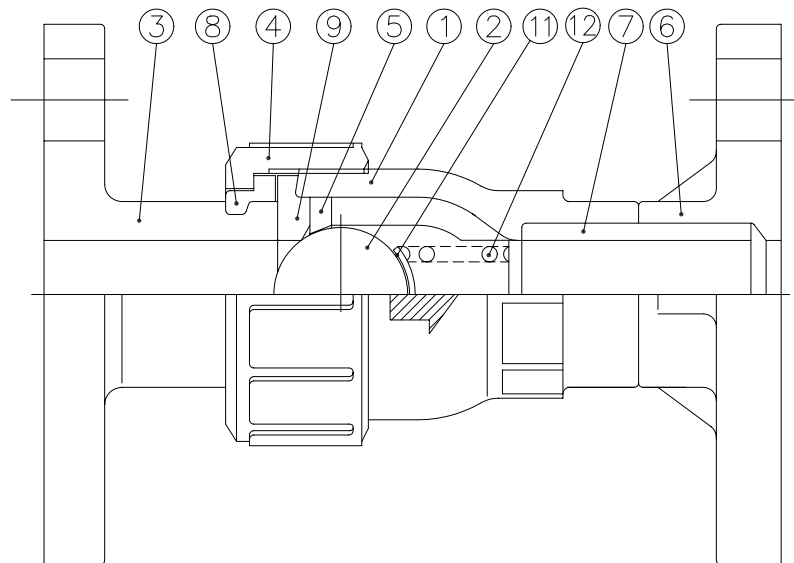


FLANGED END

1/2" THRU. 2"

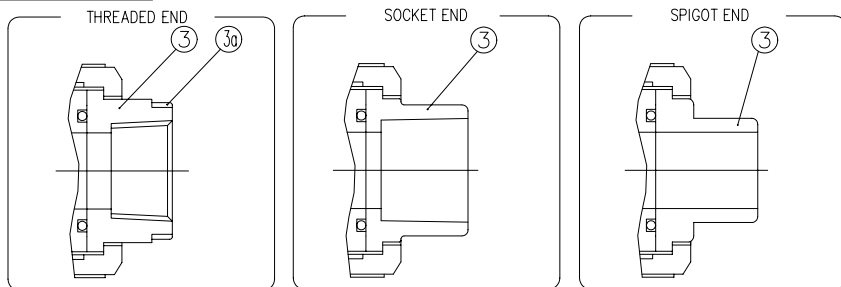


2-1/2" THRU. 4"

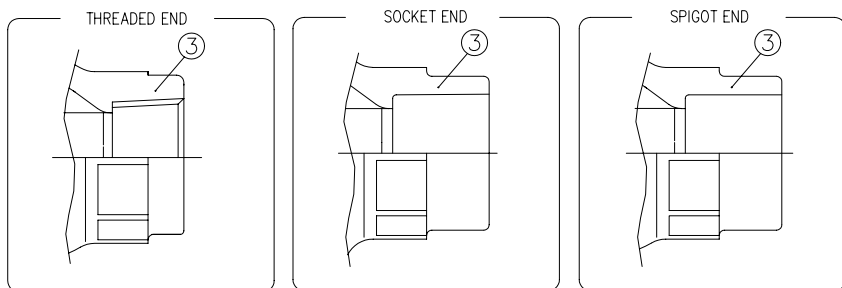


**FOR REFERENCE ONLY**  
**ASAHI/AMERICA**

1/2" THRU. 2" (DOUBLE UNION SERIES)



2-1/2" THRU. 4" (SINGLE UNION SERIES)



NOTE: 1. The shape and appearance of assembly differ a little with nominal size compared to this drawing.  
2. Spring is to assist ball in sealing.

3a	RING <sup>1)</sup>	2	STAINLESS STEEL 304	<sup>1)</sup> CPVC Body, Threaded End : Used for Size 1/2" Thru. 1"  <sup>2)</sup> Used for Flanged End  <sup>3)</sup> Used for Size 2-1/2" Thru. 4"  <sup>4)</sup> Used for Size 3/4" Thru. 4"
12	SPRING	1	STAINLESS STEEL 316	
11	WASHER <sup>4)</sup>	1	STAINLESS STEEL 316	
10	O-RING	1	<input type="checkbox"/> EPDM <input type="checkbox"/> FKM <input type="checkbox"/> Others ( )	
9	SEAT	1	<input type="checkbox"/> PVDF	
8	STOP RING(B) <sup>2)</sup>	1	<input type="checkbox"/> PVC <input type="checkbox"/> CPVC	
7	PIPE <sup>3)</sup>	1	<input type="checkbox"/> PP <input type="checkbox"/> PVDF	
6	FLANGE <sup>3)</sup>	1		
5	STOP RING(A)	1		
4	UNION NUT	1		
3	END CONNECTOR	1		
2	BALL	1		
1	BODY	1		
No.	DESCRIPTION	No.REQ'D	MATERIAL	REMARKS

THIS DRAWING AND ALL INFORMATION HEREON IS THE PROPERTY OF ASAHI/AMERICA. ANY COPYING, REPRODUCTION OR UNAUTHORIZED USE IS FORBIDDEN WITHOUT WRITTEN CONSENT.

**ASAHI/AMERICA**  
ISO 9001 CERTIFIED

35 GREEN STREET, P.O. BOX 653, MALDEN, MA.



BALL CHECK VALVE  
WITH SPRING ASSIST  
1/2" THRU 4"

	NAME	DATE
DR	KENICHI MIYAZAKI	8/28/02
APPD	DAVE HURLEY	8/28/02
PROD	LEO LESTER	8/28/02
WO#/CO#		
FILE		

SIZE	A	DWG. NO.	0038CH	REV	E
SCALE	NTS		SHEET 1 OF 1		