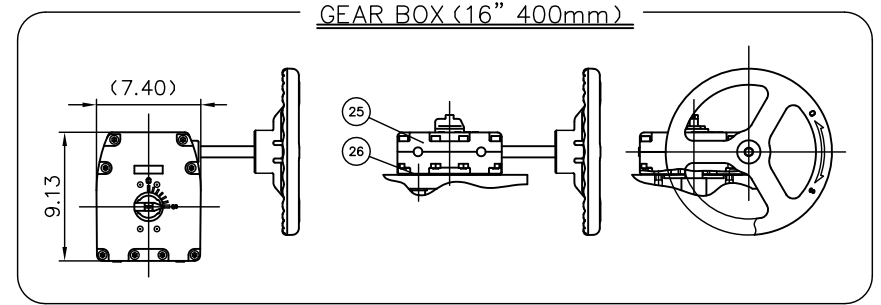
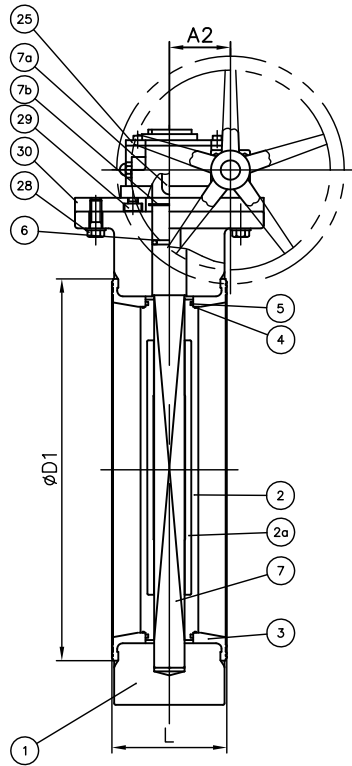
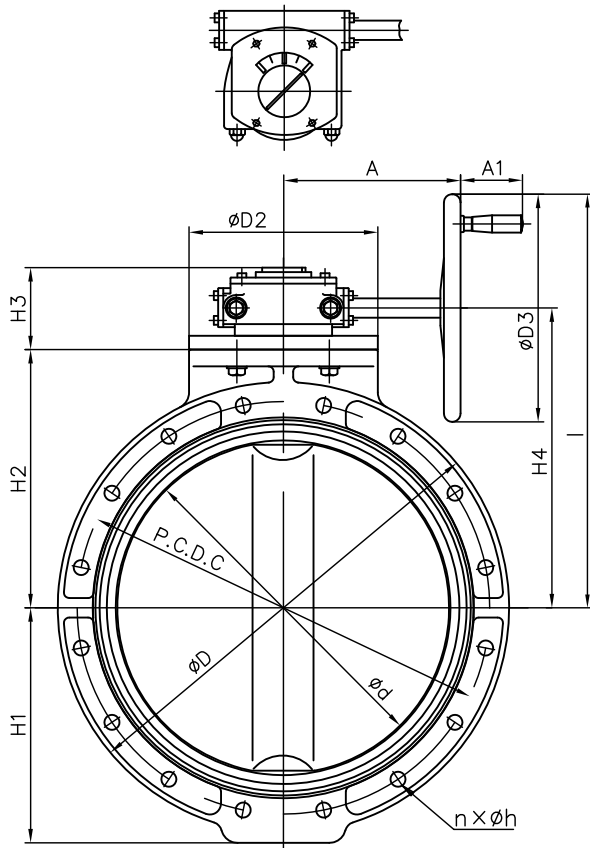


DIMENSIONS TABLE

UNIT: inch

NOMINAL SIZE	d	ANSI Class 150			D	D <sub>1</sub>	D <sub>2</sub>	D <sub>3</sub>	L	H <sub>1</sub>	H <sub>2</sub>	H <sub>3</sub>	H <sub>4</sub>	I	A	A <sub>1</sub>	A <sub>2</sub>	Number of handle rotation	GEAR BOX MODEL No.	
		C	n	h																
16"	400	15.98	21.26	16	1.12	24.41	18.50	9.25	11.81	6.65	12.40	13.78	4.25	15.35	21.26	10.7	—	3.91	9.5	TYPE 3
18	450	17.80	22.76	20	1.26	26.18	20.67	13.39	16.14	7.05	13.19	14.57	5.47	17.52	25.59	12.56	3.35	4.33	17	BVG-2H
20	500	19.76	25.00	20	1.26	28.35	22.64	13.39	16.14	7.48	14.37	15.75	5.47	18.70	26.77	12.56	3.35	4.33	17	
24	600	23.74	29.53	20	1.38	32.01	27.01	13.39	16.14	8.23	16.69	18.31	5.47	21.26	29.33	12.56	3.35	4.33	17	

NOTE. Shape and appearance of assembly may differ this drawing.



No.	DESCRIPTION	No.REQ'D	MATERIAL	REMARKS
30	STAND	1	STEEL (SS400)	
29	BOLT (D)	4	STAINLESS STEEL (SUS304)	
28	BOLT (C)	4	STAINLESS STEEL (SUS304)	
26	GASKET (A)	1	EPDM	Used for 16"
25	GEAR BOX	1	PLASTIC etc. CAST ALUMINIUM ALLOY FC250(epoxy coat)	Used for 18"~24"
7b	SNAP RING	1	STAINLESS STEEL (SUS304)	Used for 18"
7a	KEY (A)	1	CARBON STEEL(S45C)	
7	STEM	1	STAINLESS STEEL (SUS403)	
6	O-RING (C)	1		
5	O-RING (B)	2	□EPDM □FKM	
4	O-RING (A)	2	□Others ( )	
3	SEAT	1		
2a	DISC INSERT	1	AC4C	Used For 18"~24"
2	DISC	1	□PP □PVDF	
1	BODY	1	PDCPD	
No.	DESCRIPTION	No.REQ'D	MATERIAL	REMARKS

THIS DRAWING AND ALL INFORMATION HEREON IS THE PROPERTY OF ASAHI/AMERICA. ANY COPYING, REPRODUCTION OR UNAUTHORIZED USE IS FORBIDDEN WITHOUT WRITTEN CONSENT.

**ASAHI/AMERICA**

ISO 9001 CERTIFIED

35 GREEN STREET, P.O. BOX 653, MALDEN, MA.



BUTTERFLY VALVE  
TYPE 56D & 57D GEAR TYPE  
16" THRU 24"

	NAME	DATE
DR	NORIMITSU KAI	8/7/08
APPD	D. HURLEY	8/7/08
PROD	L. LESTER	8/8/08
WO#/SO#		
FILE		

SIZE	DWG. NO.	REV
A	0692BFD	A
SCALE	NTS	SHEET 1 OF 1

**FOR REFERENCE ONLY  
ASAHI/AMERICA**