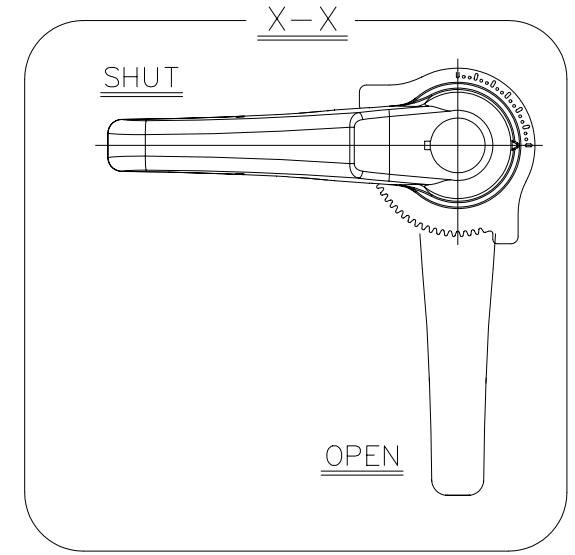
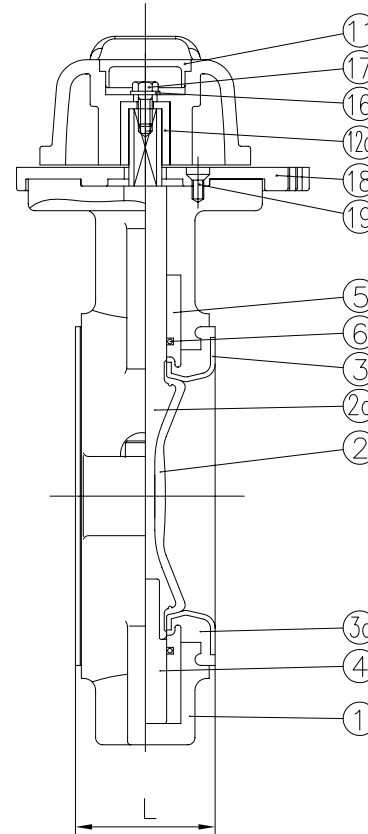
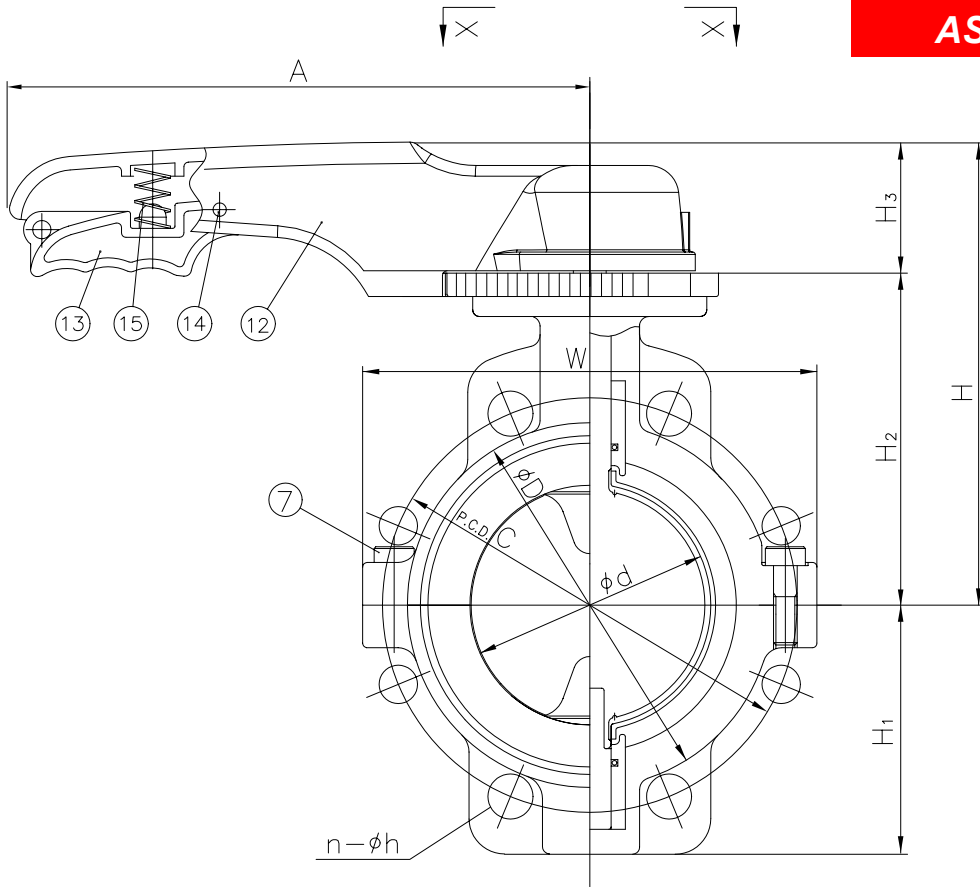


**FOR REFERENCE ONLY
ASAHI/AMERICA**



19	SCREW	4	STAINLESS STEEL 304	
18	LOCKING PLATE	1	PPG	
17	BOLT (C)	1	STAINLESS STEEL 304	
16	WASHER	1	STAINLESS STEEL 304	
15	SPRING	1	STAINLESS STEEL 304	
14	PIN	1	PPG	
13	HANDLE LEVER	1	PPG	
12a	INSERTED METAL OF HANDLE	1	STAINLESS STEEL 316	
12	HANDLE	1	PP	
11	CAP	1	PP	
7	BOLT (A)	—	STAINLESS STEEL 304	
6	O-RING	2	EPDM	
5	BUSH	2	STAINLESS STEEL 304	
4	STEM	1	STAINLESS STEEL 304	
3a	CUSHION RUBBER	1	CR	
3	SEAT	1	PTFE	
2a	DISC INSERT	1	STAINLESS STEEL 304	
2	DISC	1	PTFE	
1	BODY	1	DUCTILE CAST IRON (FCD-S) WITH EPOXY POWDER COAT	
No.	DESCRIPTION	No.REQ'D	MATERIAL	REMARKS

DIMENSIONS TABLE

UNIT: INCH

NOMINAL SIZE	d	ANSI Class150			D	L	H	H ₁	H ₂	H ₃	W	A
		C	n	h								
2" 50mm	2.17	4.75	2 (4)	0.75	3.54	1.73	6.34	2.40	4.13	2.20	4.57	8.66
3	3.15	6.00	— (4)	0.75	4.92	2.13	7.09	3.74	4.88	2.20	5.98	9.84
4	3.94	7.50	4 (8)	0.75	6.06	2.32	7.72	3.90	5.51	2.20	6.85	9.84
5	4.92	8.50	4 (8)	0.88	7.13	2.52	9.25	4.72	6.54	2.72	8.11	12.60

NOTE. The shape and appearance of assembly differ a little with nominal size compared to this drawing.

THIS DRAWING AND ALL INFORMATION HEREON IS THE PROPERTY OF ASAHI/AMERICA. ANY COPYING, REPRODUCTION OR UNAUTHORIZED USE IS FORBIDDEN WITHOUT WRITTEN CONSENT.

	NAME	DATE
DR	KENICHI MIYAZAKI	6/14/02
APPD	DAVE HURLEY	6/14/02
PROD	LEO LESTER	6/14/02
WO#/CO#		
FILE		

ASAHI/AMERICA

ISO 9001 CERTIFIED

35 GREEN STREET, P.O. BOX 653, MALDEN, MA.



BUTTERFLY VALVE TYPE55
LEVER TYPE
2" THRU 5"

SIZE	A	DWG. NO.	0187BF	REV	C
SCALE	NTS	SHEET	1	OF	1