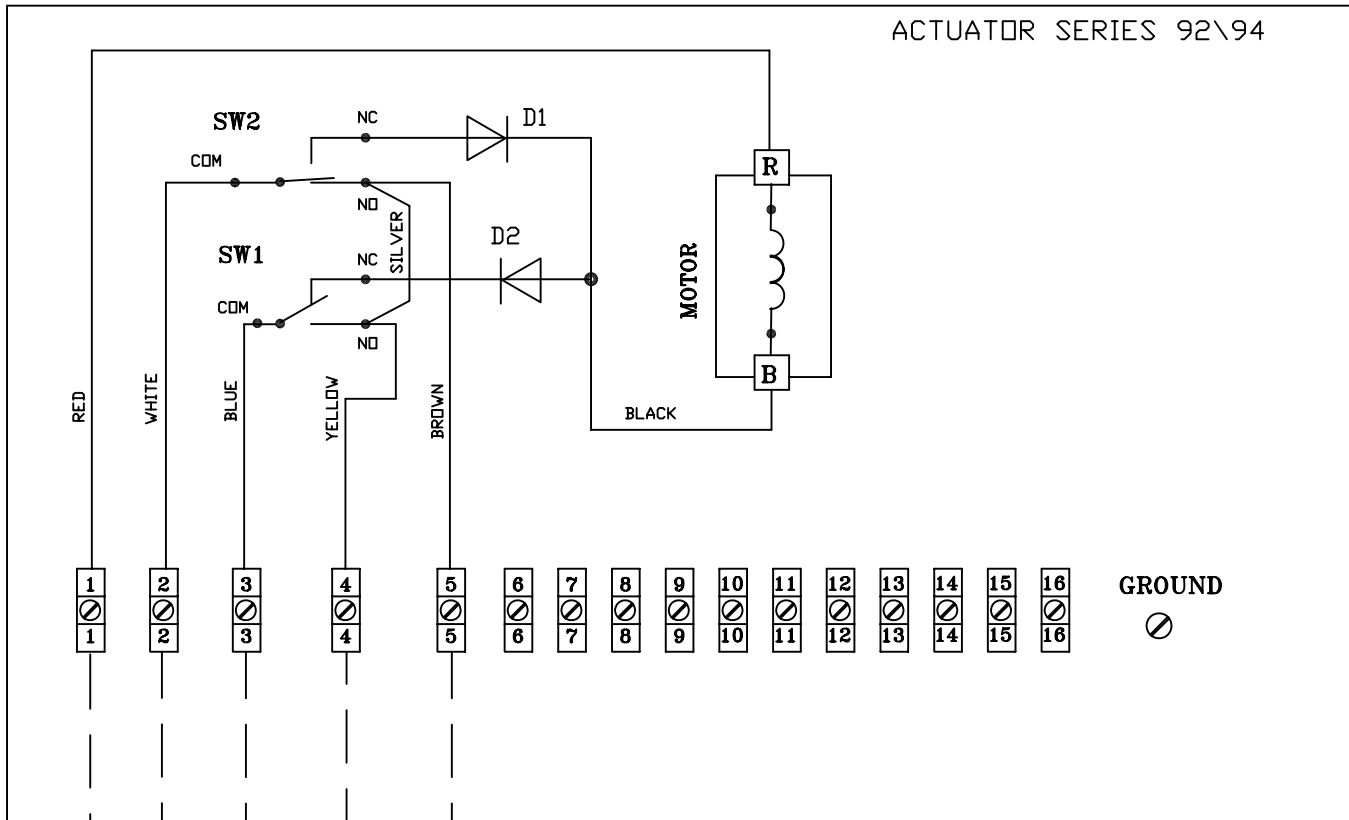


WIRING DIAGRAM FOR 12 OR 24VAC ONLY
 ACTUATOR SHOWN IN COUNTER-CLOCKWISE EXTREME OF TRAVEL, OR "OPEN" POSITION

ACTUATOR SERIES 92\94

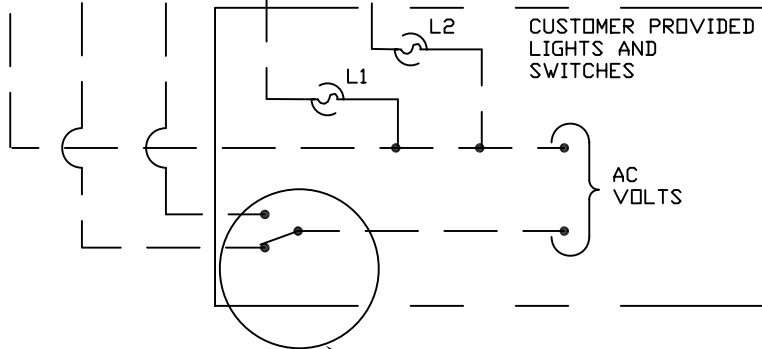


NOTES:

1. EACH ACTUATOR MUST BE POWERED THRU ITS OWN INDIVIDUAL SWITCH CONTACTS TO AVOID CROSS FEED
2. MOTOR LEADS ARE REVERSED FOR 1100 & 2000 IN/LB ACTUATOR

SWITCH LOCATION VIEWED FROM TERMINAL STRIP FRONT

- SW-2** - OPEN
- SW-1** - CLOSE



SEE IMPORTANT NOTE

THIS DRAWING AND ALL INFORMATION HEREON IS THE PROPERTY OF ASAHI/AMERICA. ANY COPYING, REPRODUCTION OR UNAUTHORIZED USE IS FORBIDDEN WITHOUT WRITTEN CONSENT.

ASAHI/AMERICA

ISO 9001 CERTIFIED
 35 GREEN STREET, P.O. BOX 653, MALDEN, MA.



SERIES 92/94 12/24 VAC
 WIRING DIAGRAM

	NAME	DATE
DR	J.GLASSFORD	5/26/06
APPD	K.BLYSTONE	5/26/06
PROD		
WO#/SO#		
FILE		

SIZE	A	DWG. NO.	7403119	REV	A
SCALE	NTS		SHEET 1 OF 1		