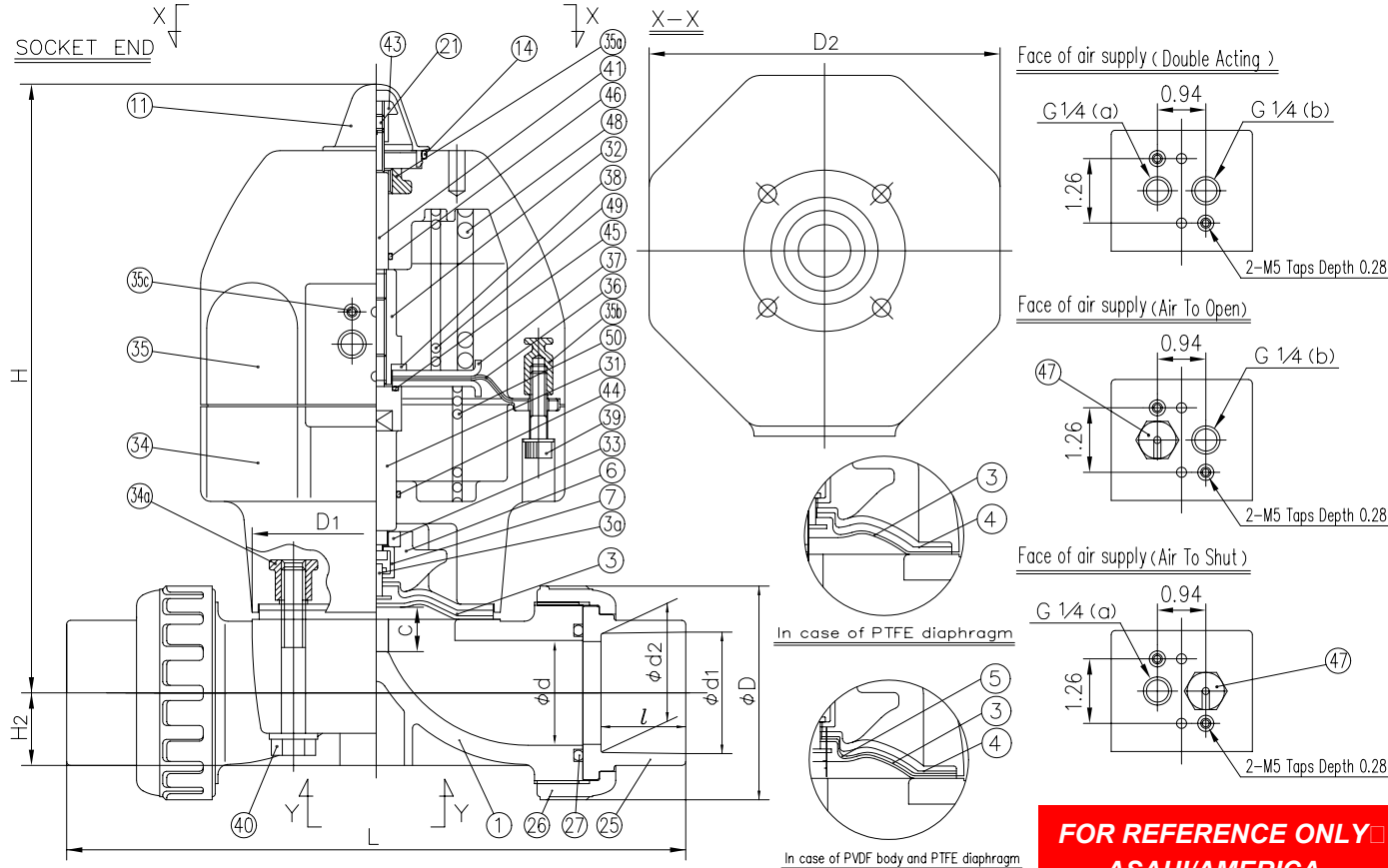


DIMENSIONS TABLE

NOMINAL SIZE	SOCKET END												THREADED END				SPIGOT (BUTT END)										UNIT : inch				
	PVC,C-PVC						PP,PVDF (DIN)			PP,PVDF (IPS)			L	PVC C-PVC	PP PVDF	PP,PVDF															
	ASTM SCH80		DIN 16962		DIN 16962		L	d <sub>1</sub>	l	L	d <sub>1</sub>	l				L	DIN 3442		PP	PVDF	L	D	D <sub>1</sub>	D <sub>2</sub>	C (LIFT)	H		H <sub>2</sub>	S	S <sub>1</sub>	S <sub>2</sub>
	d <sub>1</sub>	d <sub>2</sub>	d <sub>1</sub>	d <sub>2</sub>	d <sub>1</sub>	d <sub>2</sub>											d <sub>1</sub>	d <sub>2</sub>													
1/2" 15mm	0.63	0.848	0.836	0.875	5.47	0.768	0.760	0.57	4.92	0.83	0.87	5.43	1/2 - 14 NPT	0.59	5.04	5.04	0.787	0.728	0.098	0.075	5.906	1.89	2.13x2.60	5.12	0.39	7.32	0.77	0.98	0.28	0.51	
3/4	0.79	1.058	1.046	1.000	6.18	0.965	0.957	0.63	5.55	1.03	1.00	6.09	3/4 - 14 NPT	0.67	5.83	5.83	0.984	0.866	0.106	0.075	6.772	2.36	2.13x2.60	5.12	0.39	7.40	0.69	0.98	0.28	0.51	
1	0.98	1.325	1.310	1.125	7.32	1.240	1.232	0.71	6.46	1.30	1.13	7.24	1 - 11 1/2 NPT	0.79	6.77	6.77	1.260	0.886	0.118	0.094	7.677	2.76	2.64x3.15	5.12	0.47	7.60	0.73	0.98	0.28	0.51	
1 1/4	1.26	1.670	1.655	1.250	7.95	1.553	1.543	0.81	6.97	1.65	1.25	7.80	1 1/4 - 11 1/2 NPT	0.87	7.40	7.40	1.575	1.024	0.146	0.094	8.346	3.23	2.64x3.15	5.12	0.47	7.76	0.89	0.98	0.28	0.51	
1 1/2	1.57	1.912	1.894	1.375	10.47	1.947	1.937	0.93	9.09	1.37	1.00	10.28	1 1/2 - 11 1/2 NPT	0.98	9.65	9.65	1.969	1.260	0.181	0.118	10.866	3.94	4.25x4.25	6.85	0.83	11.54	1.08	1.77	0.35	0.59	
2	2.05	2.387	2.369	1.500	11.54	2.461	2.445	1.08	10.79	2.36	1.50	11.54	2 - 11 1/2 NPT	1.10	11.06	11.06	2.480	1.417	0.228	0.118	12.087	4.17	4.84x4.84	6.85	0.98	11.89	1.42	1.77	0.35	0.59	

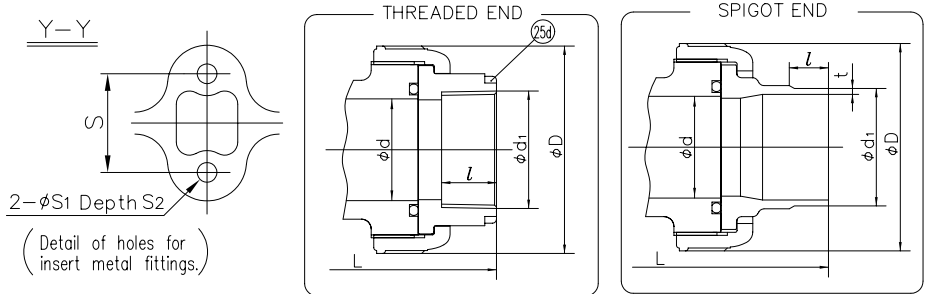
NOTE

- Operating pressure : 60PSI - 90PSI
- Double Acting ; Valve open : Port (a) Exhaust Port (b) Supply  
Valve shut : Port (a) Supply Port (b) Exhaust  
Air To Open : Valve open : Port (b) Supply  
Valve shut : Port (b) Exhaust  
Air To Shut ; Valve open : Port (a) Exhaust  
Valve shut : Port (a) Supply
- The shape and appearance of assembly differ a little with nominal size compared to this drawing.



No.	DESCRIPTION	No. REQ'D	MATERIAL	REMARKS
25d	RING	2	STAINLESS STEEL (SUS304)	used for C-PVC body threaded end : 1/2"-1"
50	SPRING (C)	1	SPRING STEEL (S45CM-B)	
49	SPRING (B)	1	SPRING STEEL (S45CM-B)	used for air to open
48	SPRING (A)	1	SPRING STEEL (S45CM-B)	used for air to open
47	NIPPLE	1	COPPER ALLOY (C3604)	used for air to shut and air to open
46	O-RING (F)	1	NBR	
45	O-RING (E)	1	NBR	
44	O-RING (D)	1	NBR	
43	STOPPER	1	STAINLESS STEEL 304	
41	INDICATING LOD	1	STAINLESS STEEL 304	
40	BOLT (B)	4	STAINLESS STEEL 304	
39	BOLT (A)	8	STAINLESS STEEL 304	
38	CONICAL SPRING WASHER (B)	1	STAINLESS STEEL 304	
37	CYLINDER DIAPHRAGM PLATE	2	STAINLESS STEEL 304	
36	CYLINDER DIAPHRAGM	1	NBR	
35c	SCREWED METAL OF CYLINDER BONNET	2	STAINLESS STEEL 304	
35b	INSERTED METAL OF CYLINDER BONNET (B)	8	COPPER ALLOY C3604	
35a	INSERTED METAL OF CYLINDER BONNET (A)	1	STAINLESS STEEL 304	
35	CYLINDER BONNET	1	PPG	
34a	INSERTED METAL OF CYLINDER BODY	4	COPPER ALLOY C3604	
34	CYLINDER BODY	1	PPG	
33	COMPRESSOR PUSHING PLATE	1	COPPER ALLOY C3604	
32	STEM (B)	1	COPPER ALLOY C6783	
31	STEM (A)	1	COPPER ALLOY C6783	
27	O-RING (C)	2	□ EPDM □ others ( )	
21	SCREW	1	STAINLESS STEEL 304	
14	O-RING (A)	1	EPDM	
11	GAUGE COVER	1	PC	
7	JOINT	1	STAINLESS STEEL 304	
6	COMPRESSOR	1	PVDF	
5	PVDF GAS BARRIER	1	PVDF	used for PVDF body PTFE diaphragm
4	CUSHION	1	EPDM	used for PTFE diaphragm
3a	INSERTED METAL OF DIAPHRAGM	1	STAINLESS STEEL 304 □ EPDM □ PTFE □ others ( )	
3	DIAPHRAGM	1	□ EPDM □ PTFE □ others ( )	
26	UNION NUT	2	□ PVC □ C-PVC □ PP □ PVDF	
25	END CONNECTOR	2		
1	BODY	1		

**FOR REFERENCE ONLY**  
**ASAHI/AMERICA**



THIS DRAWING AND ALL INFORMATION HEREON IS THE PROPERTY OF ASAHI/AMERICA. ANY COPYING, REPRODUCTION OR UNAUTHORIZED USE IS FORBIDDEN WITHOUT WRITTEN CONSENT.

DR	KENICHI MIYAZAKI	7/26/01
APPD	DAVE HURLEY	7/26/01
PROD	LEO LESTER	7/26/01

WO#/CO#  
FILE

**ASAHI/AMERICA**  
ISO 9001 CERTIFIED  
35 GREEN STREET, P.O. BOX 653, MALDEN, MA.

**TRUE UNION DIAPHRAGM VALVE**  
**TYPE14 PNEUMATIC TYPE-AN**  
**1/2" THRU 2"**

SIZE	A	DWG. NO.	0064DI	REV	B
SCALE	NTS		SHEET 1 OF 1		