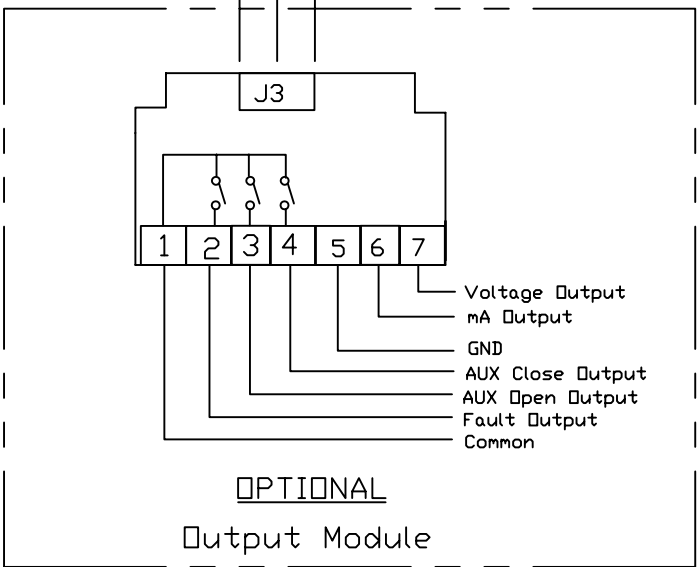
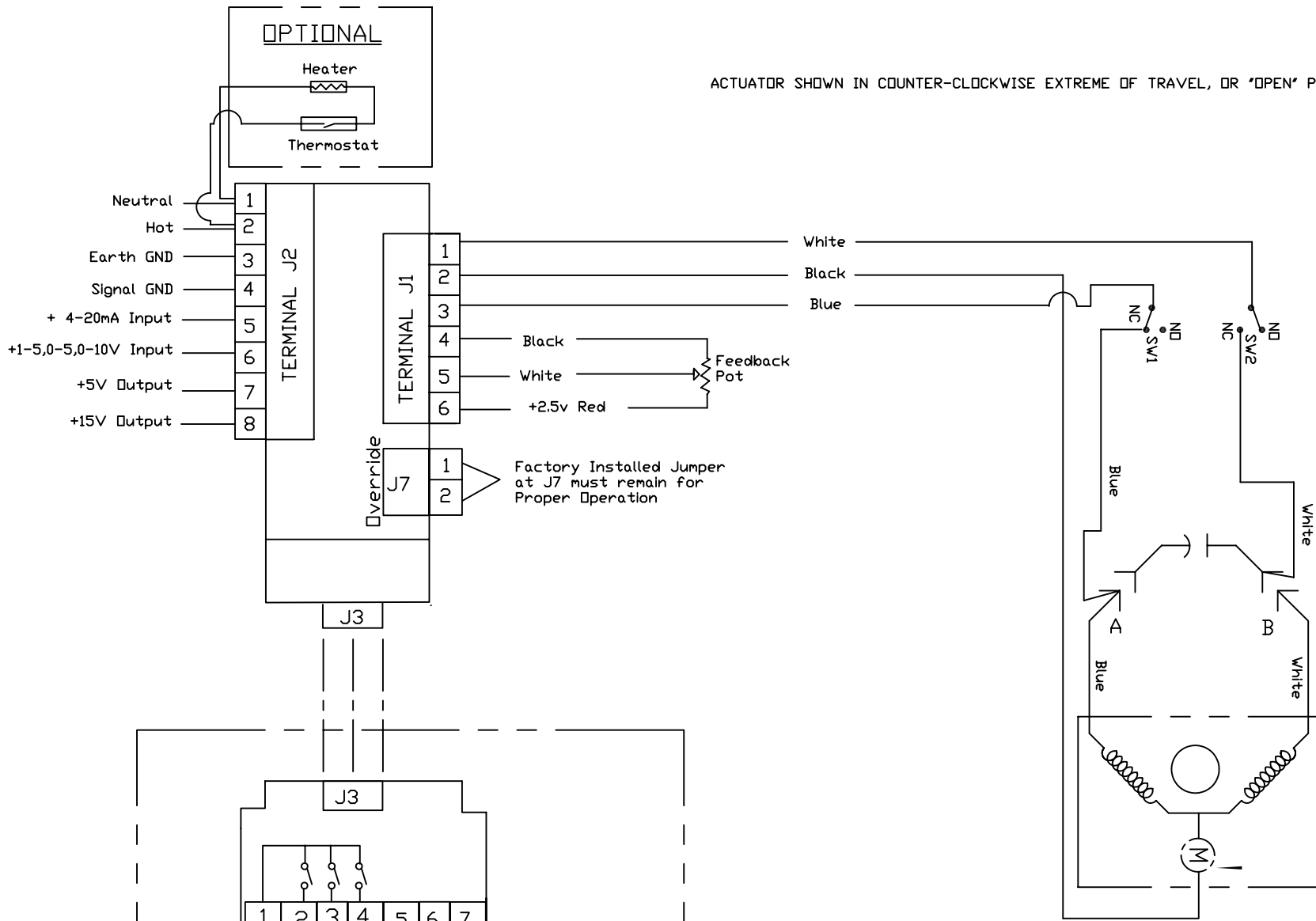



ACTUATOR SHOWN IN COUNTER-CLOCKWISE EXTREME OF TRAVEL, OR 'OPEN' POSITION



THIS DRAWING AND ALL INFORMATION HEREON IS THE PROPERTY OF ASAHI/AMERICA. ANY COPYING, REPRODUCTION OR UNAUTHORIZED USE IS FORBIDDEN WITHOUT WRITTEN CONSENT.

	NAME	DATE
DR	J. GLASSFORD	10/17/05
APPD	K. BLYSTONE	10/17/05
PROD		
WO#/SO#		
FILE		

**ASAHI/AMERICA**  
 ISO 9001 CERTIFIED  
 35 GREEN STREET, P.O. BOX 653, MALDEN, MA.



SERIES 92/94 115/230 VAC  
 W/DHC-100 POSITIONER

SIZE A	DWG. NO. M00EL381	REV A
SCALE NTS	SHEET 1 OF 1	