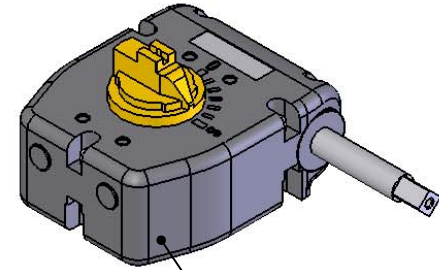
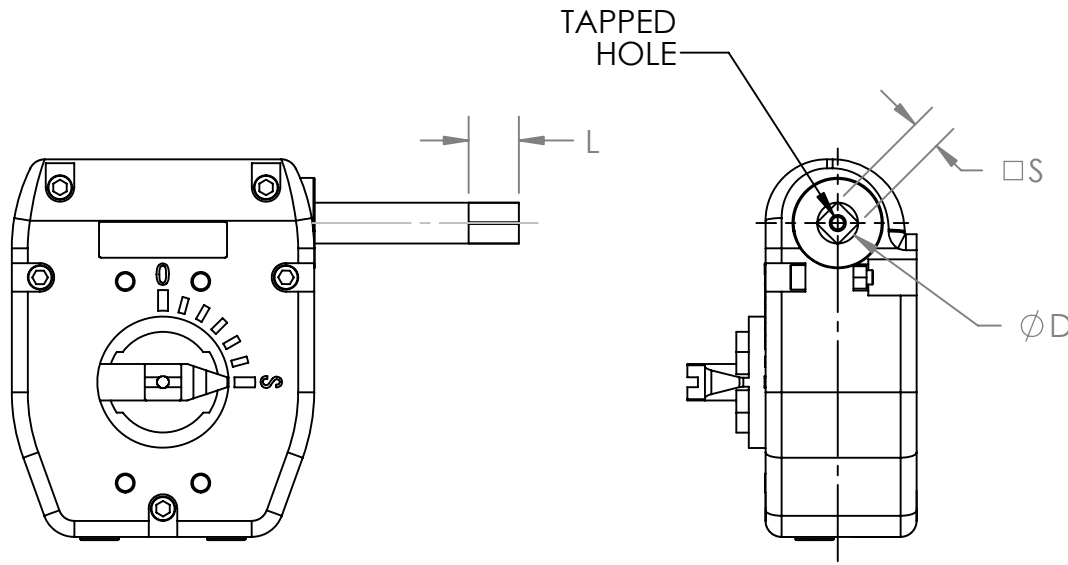
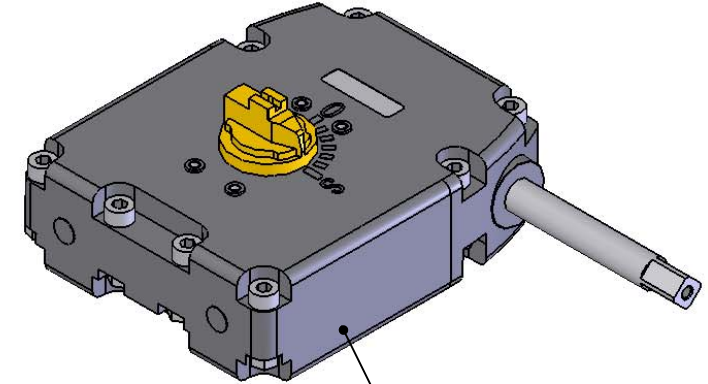


TYPE	D	S	L	TAPPED HOLE
SERIES 241	.638	.470	.785	6m ∇ .795
SERIES 243	.781	.629	.985	8m ∇ 1.293




SERIES 241
(USED ON BF VALVE
SIZES: 1-1/2" THRU 10")



SERIES 243
(USED ON BF VALVE
SIZES: 12" THRU 14")

**FOR REFERENCE ONLY
ASAHI/AMERICA**

UNLESS OTHERWISE SPECIFIED DIMENSIONS ARE IN INCHES		THIS DRAWING AND ALL INFORMATION HEREON IS THE PROPERTY OF ASAHI/AMERICA. ANY COPYING, REPRODUCTION OR UNAUTHORIZED USE IS FORBIDDEN WITHOUT WRITTEN CONSENT.		ASAHI/AMERICA ISO 9001 CERTIFIED 35 GREEN STREET, P.O. BOX 653, MALDEN, MA. 		
MACHINING	2 PL DECIMALS \pm .01	DR	J.GLASSFORD	9/6/06	PLASGEAR SERIES 241 & SERIES 243 TOP WORK	
TOLERANCES:	3 PL DECIMALS \pm .005	APPD	<i>D. Hurley</i>	9/16/06		
	ANGULAR \pm 1/2°	PROD				
	FRACTIONAL \pm 1/64	MATERIAL		PLASTIC	SIZE	A
FABRICATION	1/2" - 8" \pm 1/4	PRODUCT		VALVES & ACTUATION	DWG. NO.	M00GO500
TOLERANCES:	10" AND UP \pm 1/2	FINISH		125 μ "	SCALE	NONE
	ANGULAR \pm 1.0°	WO#/CO#			REV	A
				SHEET		1 OF 1