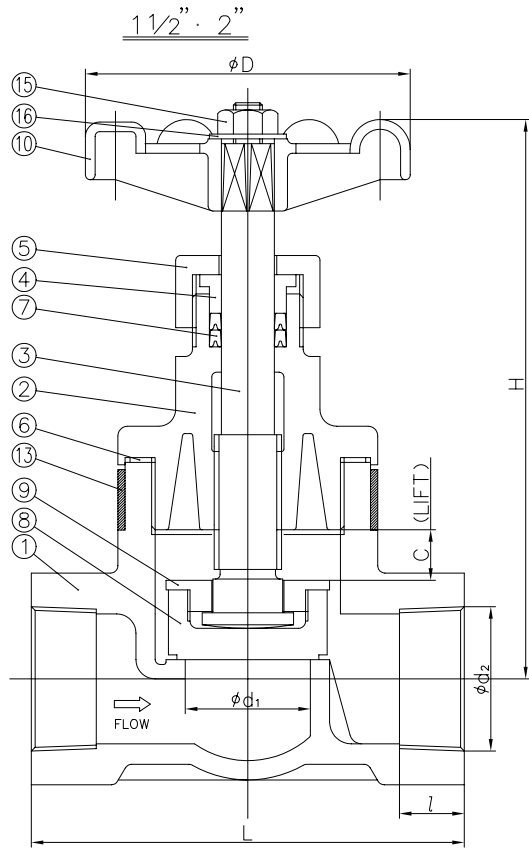
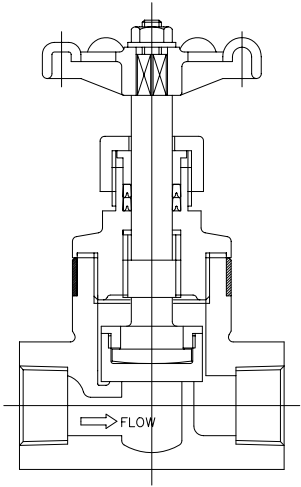
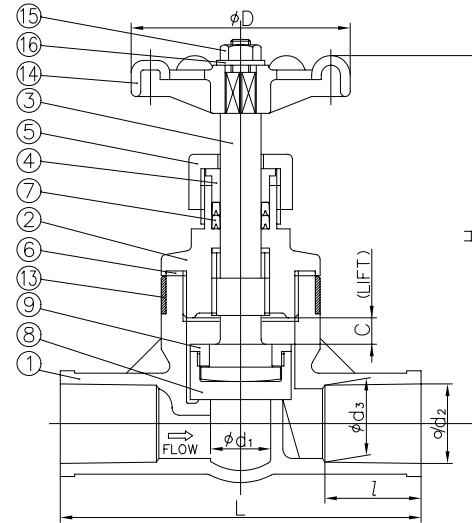


THREADED END

1/2" ~ 1 1/4"



SOCKET END



DIMENSIONS TABLE

| NOMINAL SIZE | d ₁ | SOCKET | | | | | | | | | | THREADED | | | | UNIT: INCH | | | | |
|--------------|----------------|------------|-------|-----------|------|-------|-----------|------|----------|------|------|----------------|-------------------|------|------|------------|------|------|------|--|
| | | PVC | | | | | PP (DIN) | | | | | PP (IPS) | | | | | D | C | H | |
| | | ANSI SCH40 | | DIN 16962 | | | DIN 16962 | | PP (IPS) | | | d ₂ | l | L | SHUT | OPEN | | | | |
| 15mm 1/2" | 0.59 | 0.848 | 0.836 | 1.18 | 4.33 | 0.768 | 0.760 | 0.63 | 3.23 | 0.83 | 0.87 | 3.71 | 1/2 - 14NPT | 0.59 | 3.35 | 2.60 | 0.32 | 4.88 | 5.20 | |
| 20 3/4 | 0.71 | 1.058 | 1.046 | 1.38 | 5.12 | 0.965 | 0.957 | 0.75 | 3.86 | 1.03 | 1.00 | 4.36 | 3/4 - 14NPT | 0.67 | 3.74 | 2.60 | 0.32 | 5.20 | 5.51 | |
| 25 1 | 0.98 | 1.325 | 1.310 | 1.58 | 5.91 | 1.240 | 1.232 | 0.87 | 4.49 | 1.30 | 1.13 | 5.01 | 1 - 1 1/2 NPT | 0.79 | 4.33 | 3.58 | 0.43 | 5.91 | 6.34 | |
| 30 1 1/4 | 1.38 | 1.670 | 1.655 | 0.98 | 5.32 | — | — | — | — | 1.65 | 1.25 | 5.86 | 1 1/4 - 1 1/2 NPT | 0.87 | 5.32 | 3.58 | 0.51 | 6.06 | 6.57 | |
| 40 1 1/2 | 1.61 | 1.912 | 1.894 | 0.98 | 5.51 | — | — | — | — | 1.89 | 1.37 | 6.29 | 1 1/2 - 1 1/2 NPT | 0.98 | 5.51 | 5.31 | 0.79 | 8.27 | 9.06 | |
| 50 2 | 2.05 | 2.387 | 2.369 | 1.06 | 7.09 | — | — | — | — | 2.36 | 1.50 | 7.97 | 2 - 1 1/2 NPT | 1.10 | 7.09 | 5.31 | 0.95 | 8.98 | 9.92 | |

NOTE. The shape and appearance of assembly differ a little with nominal size compared to this drawing.

| | | | | |
|-----|---------------|----------|----------------------|-------------------|
| 13 | RING | 1 | Stainless Steel 304 | used for PP body. |
| 16 | WASHER | 1 | PVC | |
| 15 | NUT | 1 | PVC | |
| 14 | HAND WHEEL | 1 | PP | |
| 9 | STEM HOLDER | 1 | PP | |
| 8 | DISC | 1 | PP | |
| 7 | GLAND PACKING | 2 | □ EPDM □ Others) | |
| 6 | SHEET GASKET | 1 | | |
| 5 | GLAND NUT | 1 | | |
| 4 | GLAND | 1 | □ PVC | |
| 3 | STEM | 1 | | |
| 2 | BONNET | 1 | □ PP | |
| 1 | BODY | 1 | | |
| No. | DESCRIPTION | No.REQ'D | MATERIAL | REMARKS |

FOR REFERENCE ONLY
ASAHI/AMERICA

THIS DRAWING AND ALL INFORMATION HEREON IS THE PROPERTY OF ASAHI/AMERICA. ANY COPYING, REPRODUCTION OR UNAUTHORIZED USE IS FORBIDDEN WITHOUT WRITTEN CONSENT.

| | NAME | DATE |
|---------|------------------|---------|
| DR | KENICHI MIYAZAKI | 6/14/02 |
| APPD | DAVE HURLEY | 6/14/02 |
| PROD | LEO LESTER | 6/14/02 |
| WO#/CO# | | |
| FILE | | |

ASAHI/AMERICA
ISO 9001 CERTIFIED
35 GREEN STREET, P.O. BOX 653, MALDEN, MA.

GLOBE VALVE
THREADED END, SOCKET END
1/2" THRU 2"

| | | | | | |
|-------|-----|----------|--------------|-----|---|
| SIZE | A | DWG. NO. | 0006GL | REV | D |
| SCALE | NTS | | SHEET 1 OF 1 | | |