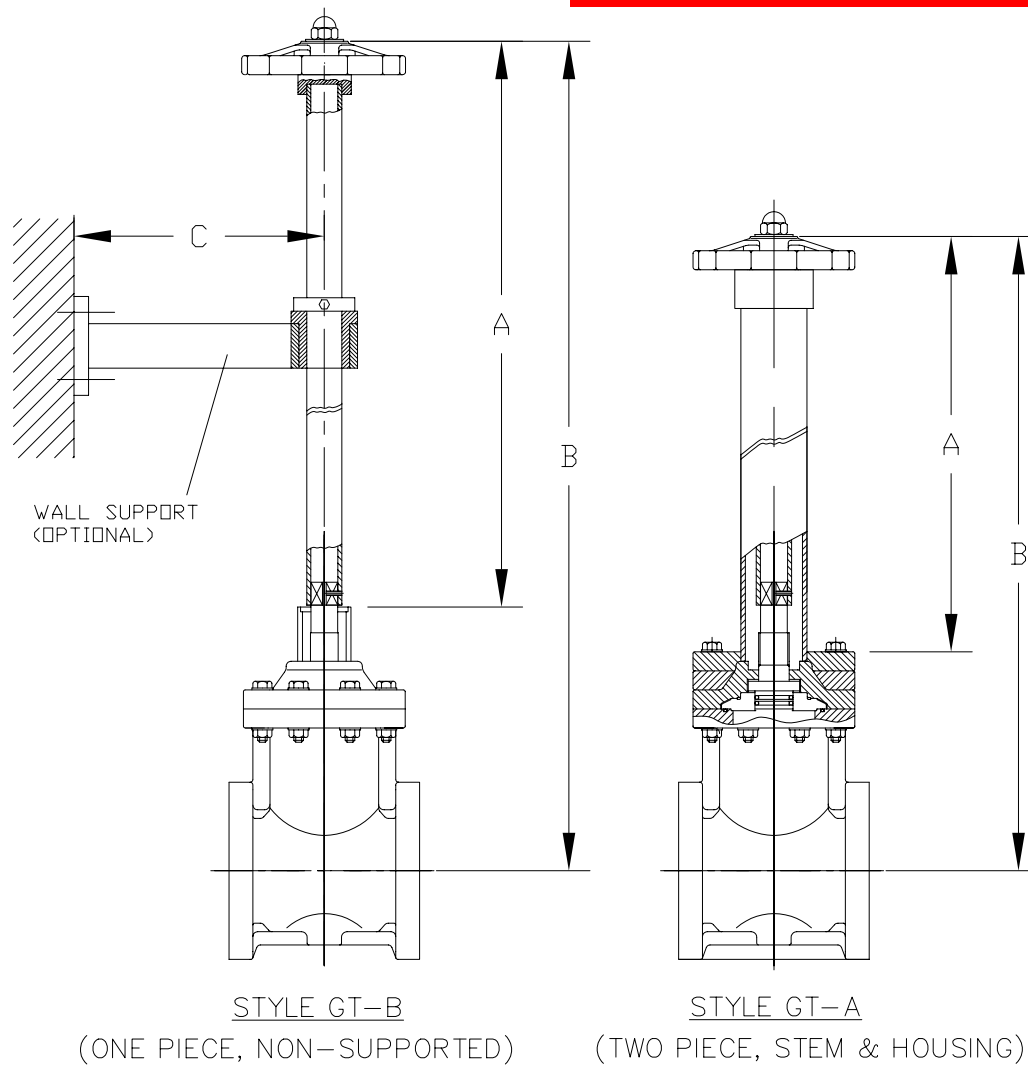
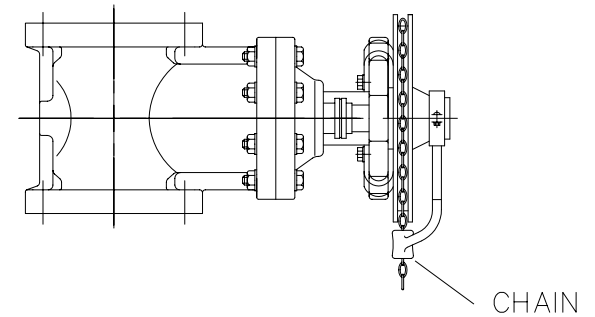


FOR REFERENCE ONLY
ASAHI/AMERICA

□ STEM EXTENSIONS

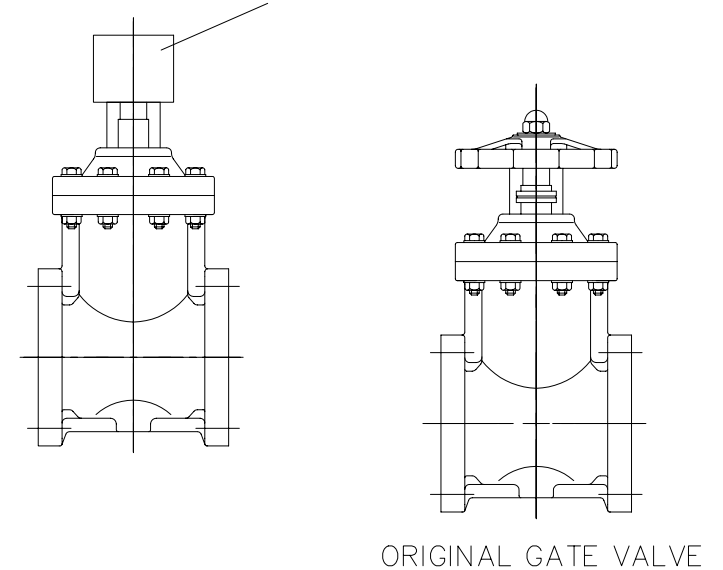


□ CHAIN OPERATORS



□ OPERATING NUTS

2" SQUARE OPERATING NUT



DIMENSIONS TABLE

UNIT: inch

DIMENSIONS	STYLE A	STYLE B
A		
B		
C		

NOTE: The shape and appearance of assembly differ a little with nominal size compared to this drawing.

THIS DRAWING AND ALL INFORMATION HEREON IS THE PROPERTY OF ASAHI/AMERICA. ANY COPYING, REPRODUCTION OR UNAUTHORIZED USE IS FORBIDDEN WITHOUT WRITTEN CONSENT.

	NAME	DATE
DR	KENICHI MIYAZAKI	10/1/01
APPD	DAVE HURLEY	5/21/03
PROD	LEO LESTER	5/21/03
WO#/SO#		
FILE		

ASAHI/AMERICA

ISO 9001 CERTIFIED

35 GREEN STREET, P.O. BOX 653, MALDEN, MA.



GATE VALVE
OPTIONS
1-1/2" THRU. 14"

SIZE	A	DWG. NO.	0014GT	REV	B
SCALE	NTS		SHEET 1 OF 1		