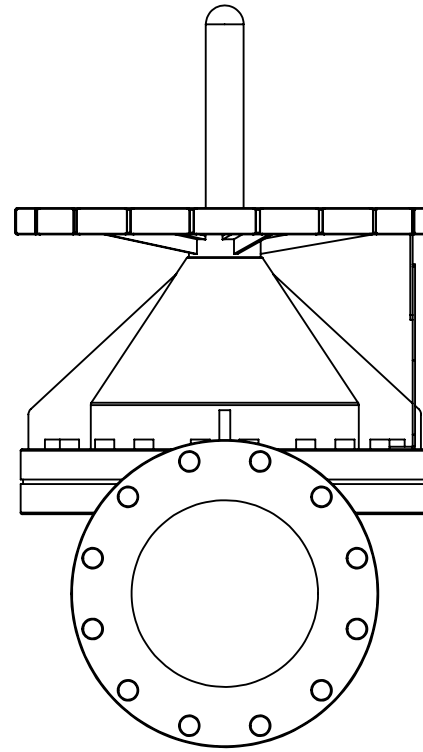
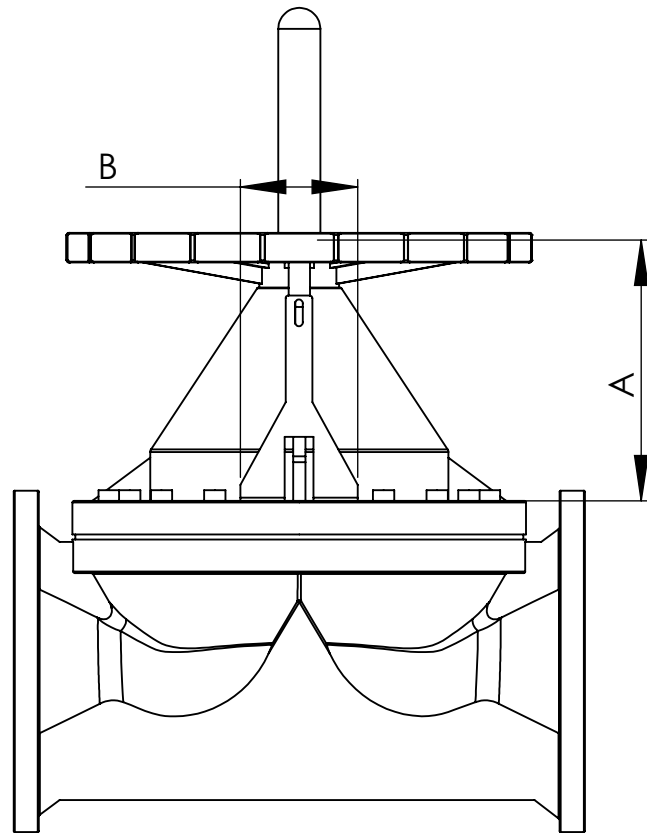



REV	DATE	DESCRIPTION	BY	APP'D
A	9/20/10	FIRST ISSUE	JH	DH



UNIT: INCH

DV SIZE	A	B
8"	9.75	4.5
10"	12.22	5.5

REFERENCE CATALOG DRAWINGS
FOR VALVE DIMENSIONS

<p>UNLESS OTHERWISE SPECIFIED DIMENSIONS ARE IN INCHES</p> <p>MACHINING TOLERANCES: 2 PL DECIMALS ± .01 3 PL DECIMALS ± .005 ANGULAR ± 1/2° FRACTIONAL ± 1/64</p> <p>FABRICATION TOLERANCES: 1/2" - 8" ± 1/4 10" AND UP ± 1/2 ANGULAR ± 1.0°</p> <p>MATERIAL: ALUMINUM FINISH: 125μ"</p>	<p>THIS DRAWING AND ALL INFORMATION HEREON IS THE PROPERTY OF ASAHI/AMERICA. ANY COPYING, REPRODUCTION OR UNAUTHORIZED USE IS FORBIDDEN WITHOUT WRITTEN CONSENT.</p>	<p>ASAHI/AMERICA ISO 9001 CERTIFIED 35 GREEN STREET, P.O. BOX 653, MALDEN, MA.</p> 										
		<p>8"-10" DIAPHRAGM LOCKING DEVICE</p>										
	<table border="1"> <thead> <tr> <th>NAME</th> <th>DATE</th> </tr> </thead> <tbody> <tr> <td>DR J. HUGHES</td> <td>9/20/10</td> </tr> <tr> <td>APPD D. HURLEY</td> <td>9/20/10</td> </tr> <tr> <td>PROD</td> <td></td> </tr> </tbody> </table>	NAME	DATE	DR J. HUGHES	9/20/10	APPD D. HURLEY	9/20/10	PROD		<p>SIZE A</p>	<p>DWG. NO. M00DV4712</p>	<p>REV A</p>
NAME	DATE											
DR J. HUGHES	9/20/10											
APPD D. HURLEY	9/20/10											
PROD												
<p>PRODUCT: V & A WO#/CO#</p>		<p>SCALE 1:10</p>		<p>SHEET 1 OF 1</p>								