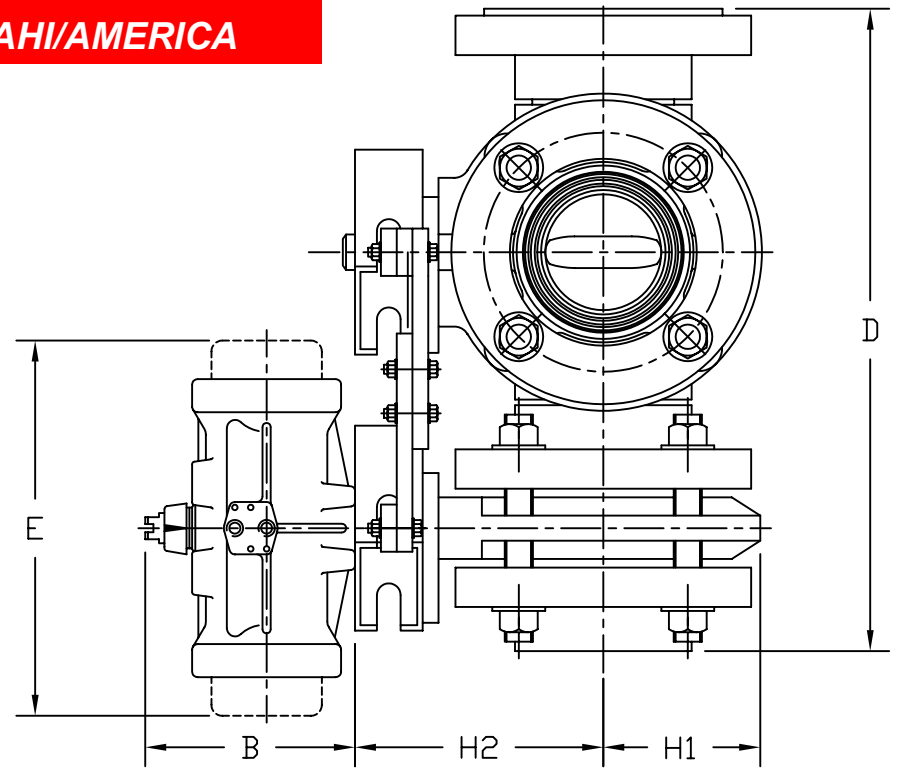
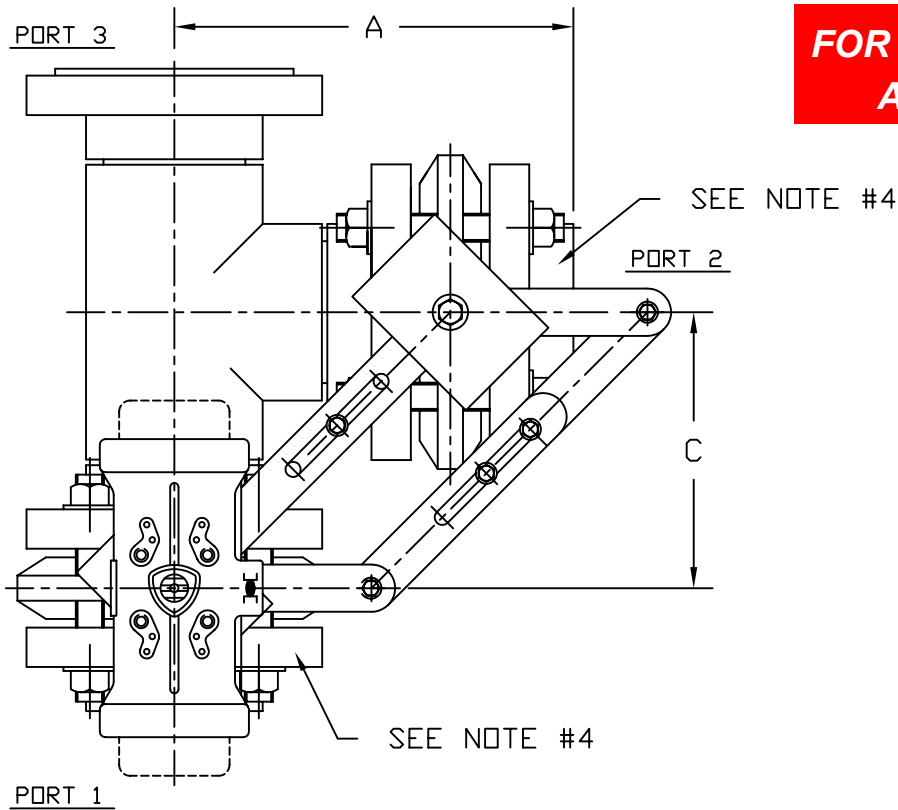


FOR REFERENCE ONLY
ASAHI/AMERICA



NOTES:

1. ACTUATOR BODY IS CAST ALUMINUM WITH RILSAN (POLYAMIDE NYLON II) COATING FOR VALVE SIZES 8 THROUGH 24 AIR-AIR AND 5 THROUGH 12 AIR-SPRING. ACTUATOR BODY IS GLASS FILLED POLYAMIDE FOR VALVE SIZES 1 1/2 THROUGH 6 AIR-AIR AND 1 1/2 THRU 4 AIR TO SPRING

2. FLOW PATTERN:
 -PORT 1 IS OPEN, PORT 2 IS CLOSED, PORT 3 IS OPEN
 -PORT 1 IS CLOSED, PORT 2 IS OPEN, PORT 3 IS OPEN
3. FOR OTHER FLOW PATTERNS OR VALVES SET UP CONSULT FACTORY
4. 8" AND 10" TANDEM ARRANGEMENTS SUPPLIED WITHOUT EXTERNAL STUB ENDS AND BACKING RINGS.
5. A-A : AIR TO AIR
 A-S : AIR TO SPRING RETURN

DIMENSIONS TABLE

UNIT: INCH

NOMINAL SIZE	H1	H2	A	B		C	D	E	
				A-A	A-S			A-A	A-S
1-1/2" 40mm	2.95	5.78	7.10	4.42	5.00	4.77	11.10	4.92	8.74
2	3.27	6.02	7.60	4.41	5.00	5.00	11.78	4.92	8.74
3	3.94	6.57	10.06	5.00	6.34	7.02	16.18	7.00	11.49
4	4.53	7.28	12.70	5.00	6.34	9.10	20.70	7.00	11.49
6	5.63	8.93	15.75	6.34	8.26	11.10	25.47	9.21	18.50
8	6.69	11.27	14.96	8.26	8.26	13.24	26.49	12.12	18.50
10	7.99	12.45	16.84	8.26	10.80	14.68	29.35	12.12	25.28

NOTE. THE SHAPE AND APPEARANCE OF ASSEMBLY DIFFER A LITTLE WITH NOMINAL SIZE COMPARED TO THIS DRAWING.

U.S. PATENT NUMBER : 4,585,032

ASAHI/AMERICA

ISO 9001 CERTIFIED
 35 GREEN STREET, P.O. BOX 653, MALDEN, MA.



**BUTTERFLY VALVE TYPE57
 TANDEM ARRANGEMENT
 WITH PNEUMATIC ACTUATION**

THIS DRAWING AND ALL INFORMATION HEREON IS THE PROPERTY OF ASAHI/AMERICA. ANY COPYING, REPRODUCTION OR UNAUTHORIZED USE IS FORBIDDEN WITHOUT WRITTEN CONSENT.

	NAME	DATE
DR	JOHN GLASSFORD	6/14/05
APPD	DAVE HURLEY	6/14/05
PROD	LEO LESTER	6/14/05
WO#/SO#		
FILE		

SIZE	A	DWG. NO.	0189BF57	REV	A
SCALE	NTS		SHEET 1 OF 1		