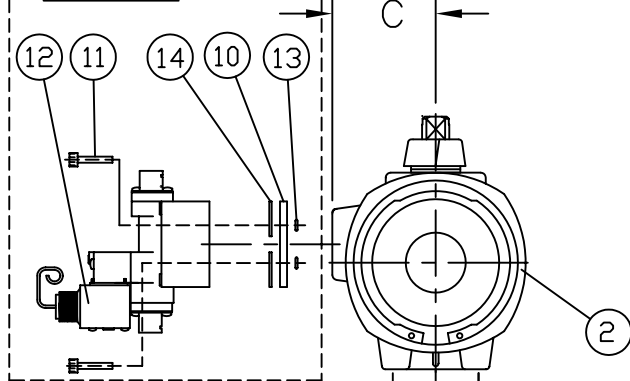
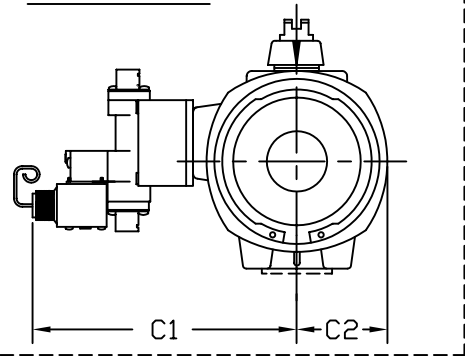


UNIT: INCH

OPTIONS



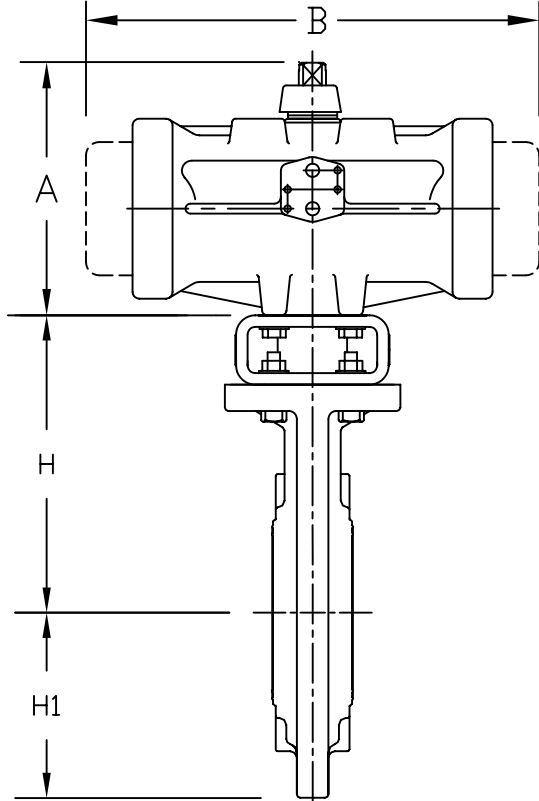
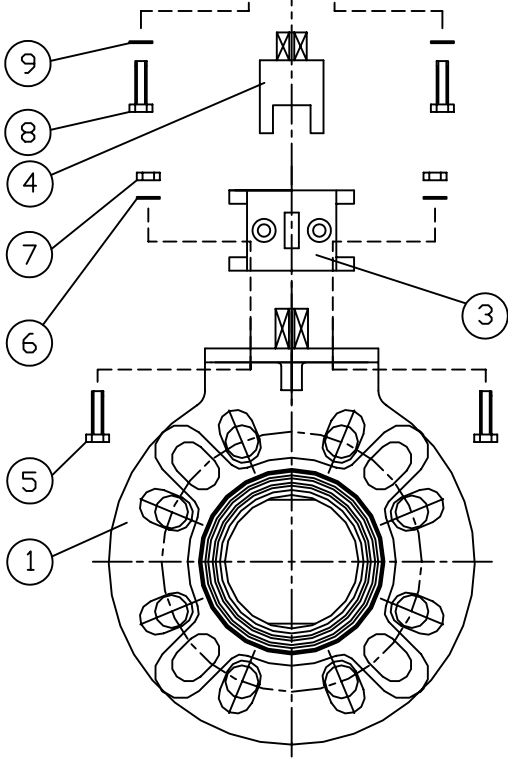
WITH OPTIONS



VALVE SIZE	MODEL A-A	MODEL A-S	A		B		C		C1		C2	
			A-A	A-S	A-A	A-S	A-A	A-S	A-A	A-S	A-A	A-S
1-1/2"	BP79PN	CP79PSN	4.40	5.00	4.92	8.74	1.73	1.73	5.66	5.89	1.41	1.85
2"	BP79PN	CP79PSN	4.40	5.00	4.92	8.74	1.73	1.73	5.66	5.89	1.41	1.85
2-1/2"	BP79PN	CP79PSN	4.40	5.00	4.92	8.74	1.73	1.73	5.66	5.89	1.41	1.85
3"	CP79PN	DP79PSN	5.00	6.49	7.00	11.50	1.96	1.96	5.89	6.48	1.85	2.36
4"	CP79PN	DP79PSN	5.00	6.49	7.00	11.50	1.96	1.96	5.89	6.48	1.85	2.36
5"	CP79PN	E79PSN	5.00	8.54	7.00	18.50	1.96	1.96	5.89	7.47	1.85	3.23
6"	DP79PN	E79PSN	6.49	8.54	9.21	18.50	2.55	2.55	6.48	7.47	2.36	3.23

NOTE: E79 AVAILABLE RILSAN COATED CAST ALUMINUM ONLY

FOR REFERENCE ONLY ASAHI/AMERICA



14	GASKET (OPTIONS)	NBR	2
13	O-RING (OPTIONS)	NBR	2
12	SOLENOID (ASCO) (OPTIONS)	ZYTEL	1
11	SCREW SOC HD (OPTIONS)	STAINLESS STEEL 303	1
10	MOUNTING PLATE (OPTIONS)	ZYTEL	1
9	FLAT WASHER (FOR BP79 : M6.0) (FOR CP79 AND DP79 : M8.0) (FOR E79 : M10.0)	STAINLESS STEEL	4
8	BOLT (FOR BP79 : M6.0x1.00-16LG) (FOR CP79 AND DP79 : M8.0x1.25-16LG) (FOR E79 : M10.0x1.50-20LG)	STAINLESS STEEL	4
7	NUT (FOR 1-1/2" THRU. 4" : M8.0x1.25) (FOR 6" : M10.0x1.50)	STAINLESS STEEL	4
6	FLAT WASHER (FOR 1-1/2" THRU. 4" : M8.0) (FOR 6" : M10.0)	STAINLESS STEEL	8
5	BOLT (FOR 1-1/2" THRU. 4" : M8.0x1.25-35LG) (FOR 6" : M10.0x1.50-40LG)	STAINLESS STEEL	4
4	COUPLING	STAINLESS STEEL 303	1
3	MOUNTING BRACKET	PPG	1
2	ACTUATOR SERIES 79	<input type="checkbox"/> GLASS FILLED POLYAMIDE <input type="checkbox"/> STAINLESS STEEL (OPTION) <input type="checkbox"/> RILSAN COATED CAST ALUMINUM (OPTION)	1
1	BUTTERFLY VALVE TYPE 57	U-PVC,PP,PVDF	1
ITEM	DESCRIPTION	MATERIAL	QTY

UNIT: INCH

VALVE SIZE	1-1/2"	2"	2-1/2"	3"	4"	5"	6"
H	5.51	5.75	6.18	6.46	7.16	8.46	8.97
H1	2.95	3.27	3.66	3.94	4.53	5.00	5.63

NOTE: 1. The shape and appearance of assembly differ a little with nominal size compared to this drawing.
 2. For 1-1/2" thru. 4" Mounting Bracket : F7 x F05,F07
 For 5" and 6" Mounting Bracket : F10 x F07,F10

THIS DRAWING AND ALL INFORMATION HEREON IS THE PROPERTY OF ASAHI/AMERICA. ANY COPYING, REPRODUCTION OR UNAUTHORIZED USE IS FORBIDDEN WITHOUT WRITTEN CONSENT.

	NAME	DATE
DR	JOHN GLASSFORD	6/14/05
APPD	DAVE HURLEY	6/14/05
PROD	LED LESTER	6/14/05
WO#/CO#		
FILE		

ASAHI/AMERICA
 ISO 9001 CERTIFIED
 35 GREEN STREET, P.O. BOX 653, MALDEN, MA.

BUTTERFLY VALVE TYPE 57
SERIES 79 PNEUMATIC ACT.
1-1/2" THRU 6"

SIZE	A	DWG. NO.	0204BF57	REV	A
SCALE	NTS		SHEET 1 OF 1		