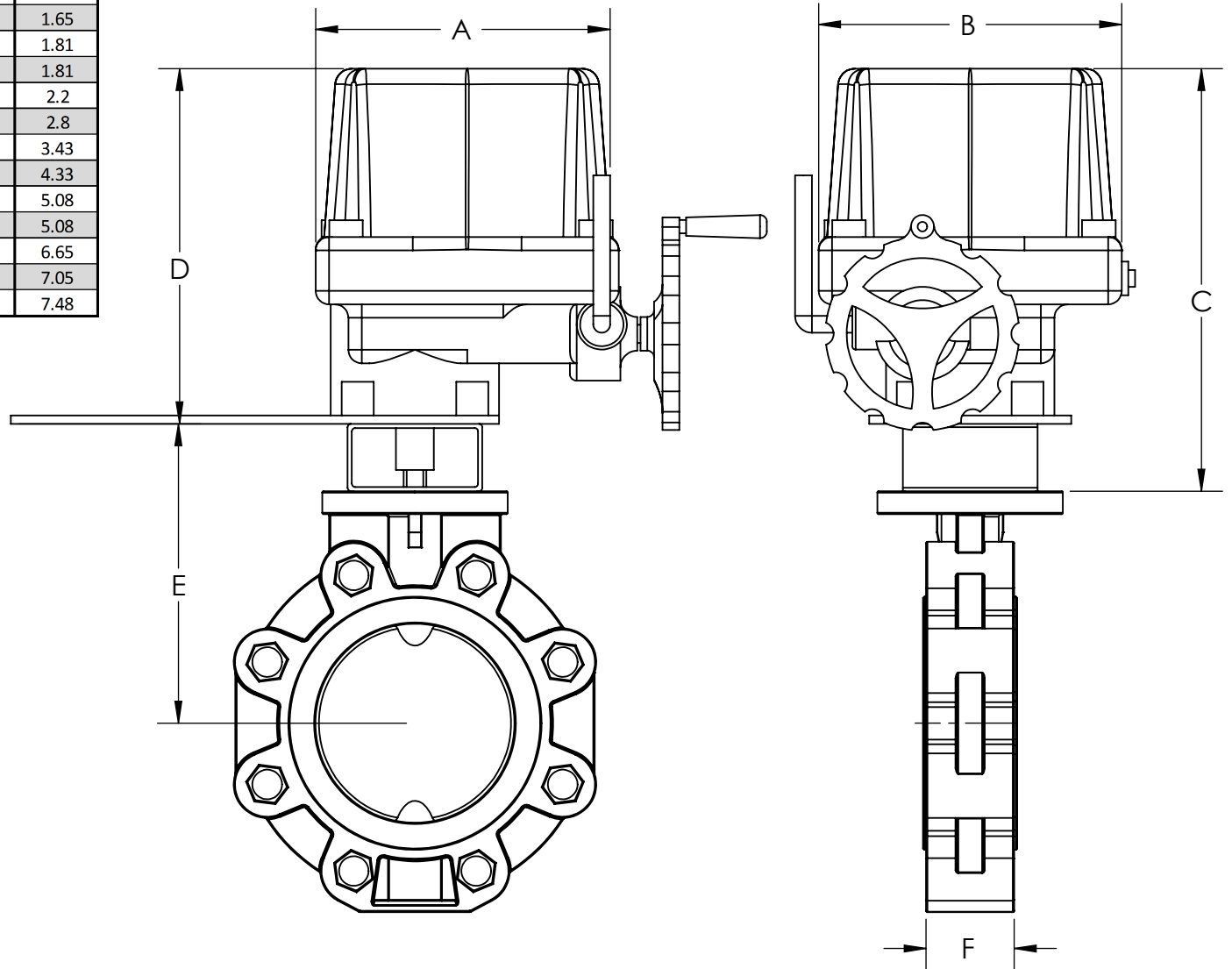



Valve Size	A	B	C	D	E	F
1 1/2"	13.31	9.02	12.49	10.49	5.74	1.54
2"	13.31	9.02	12.49	10.49	6.13	1.65
2 1/2"	13.31	9.02	12.49	10.49	6.53	1.81
3"	13.31	9.02	12.49	10.49	7.12	1.81
4"	13.31	9.02	12.49	10.49	7.71	2.2
6"	13.31	9.02	12.49	10.49	8.89	2.8
8"	14.46	10.2	13.67	11.67	10.11	3.43
10"	14.49	10.2	13.67	11.67	11.49	4.33
12"	14.49	10.2	13.67	11.67	13.73	5.08
14"	16.14	11.69	16.65	12.65	16.8	5.08
16"	16.14	11.69	16.65	12.65	17.54	6.65
18"	16.14	11.69	16.65	12.65	18.57	7.05
20"	16.14	11.69	16.65	12.65	19.75	7.48



UNLESS OTHERWISE SPECIFIED DIMENSIONS ARE IN INCHES	
MACHINING TOLERANCES:	2 PL DECIMALS ± .01 3 PL DECIMALS ± .005 ANGULAR ± 1/2° FRACTIONAL ± 1/64
FABRICATION TOLERANCES:	1/2" - 8" ± 1/4 10" AND UP ± 1/2 ANGULAR ± 1.0°
MATERIAL	SS
FINISH	125 μ"

THIS DRAWING AND ALL INFORMATION HEREON IS THE PROPERTY OF ASAHI/AMERICA. ANY COPYING, REPRODUCTION OR UNAUTHORIZED USE IS FORBIDDEN WITHOUT WRITTEN CONSENT.	
NAME	DATE
DR Conrad W.	10/26/11
APPD	
PROD	
PRODUCT PRODUCT	
WO#/CO#	

<b>ASAHI/AMERICA</b> ISO 9001 CERTIFIED 35 GREEN STREET, P.O. BOX 653, MALDEN, MA.		
<b>T-57 W/SERIES 10 ELECTRIC ACTUATOR</b>		
SIZE A	DWG. NO. M00SS5075	REV A
SCALE SCALE 1:10		SHEET <u>1</u> OF <u>1</u>