

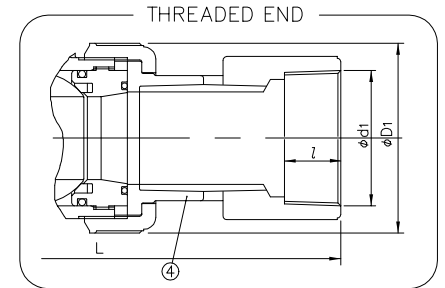
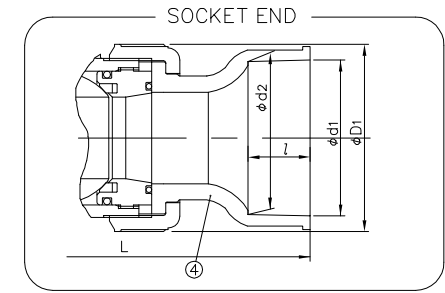
DIMENSIONS TABLE

UNIT: inch

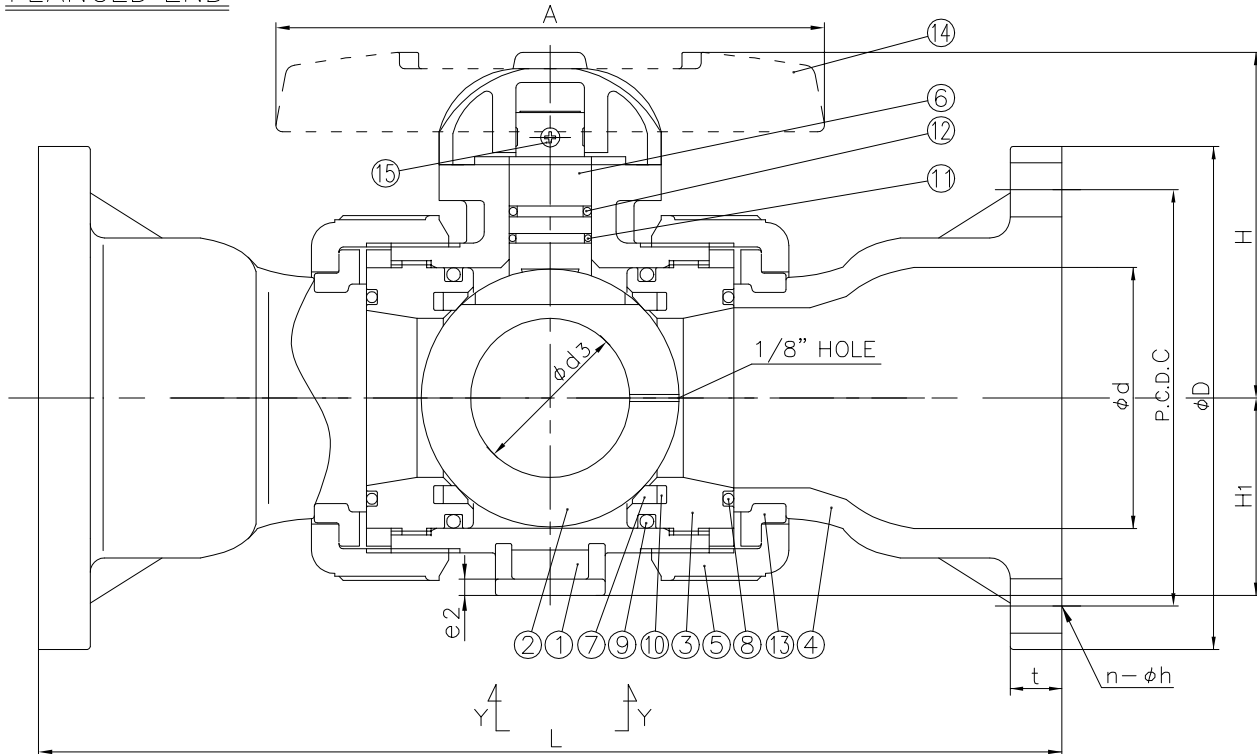
NOMINAL SIZE	FLANGED							SOCKET PVC, CPVC				THREADED										
	ANSI CLASS 150							ANSI SCH40														
	d	D	C	n	h	L	t	d ₁	d ₂	l	L	d ₁	l	L	d ₃	D ₁	H	H ₁	A	e ₁	e ₂	S ₁
6" 150 ^{mm}	5.75	11.00	9.50	8	0.88	23.00	1.02	6.647	6.614	3.000	23.00	6-8NPT	2.00	27.00	3.54	8.27	7.01	4.33	11.81	0.43	0.31	2.56

NOTE. The shape and appearance of assembly differ a little with nominal size compared to this drawing.

FOR REFERENCE ONLY
ASAHI/AMERICA

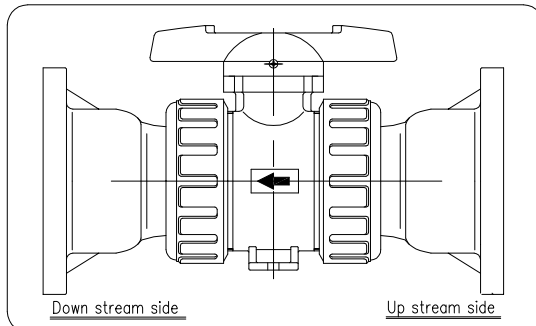
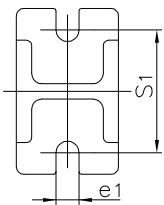


FLANGED END



15	SCREW	1	STAINLESS STEEL 304	
14	HANDLE	1	ABS	
13	STOP RING	2	PVDF	Used for Flanged End
12	O-RING (E)	1	□ EPDM	
11	O-RING (D)	1	□ FKM	
10	CUSHION	2	□ Others	
9	O-RING (B)	2	()	
8	O-RING (A)	2	()	
7	SEAT	2	PTFE	
6	STEM	1		
5	UNION NUT	2		
4	END CONNECTOR	2	□ PVC	
3	CARRIER	2	□ CPVC	
2	BALL	1		
1	BODY	1		
No.	DESCRIPTION	No.REQ'D	MATERIAL	REMARKS

Y-Y



THIS DRAWING AND ALL INFORMATION HEREON IS THE PROPERTY OF ASAHI/AMERICA. ANY COPYING, REPRODUCTION OR UNAUTHORIZED USE IS FORBIDDEN WITHOUT WRITTEN CONSENT.

	NAME	DATE
DR	KENICHI MIYAZAKI	9/23/04
APPD	DAVE HURLEY	9/23/04
PROD	LEO LESTER	9/23/04
WO#/SO#		
FILE		

ASAHI/AMERICA

ISO 9001 CERTIFIED
35 GREEN STREET, P.O. BOX 653, MALDEN, MA.



TRUE UNION BALL VALVE
TYPE21 VENTED BALL
6"

SIZE	A	DWG. NO.	0143BV	REV	A
SCALE	NTS		SHEET 1 OF 1		