

DIMENSIONS TABLE

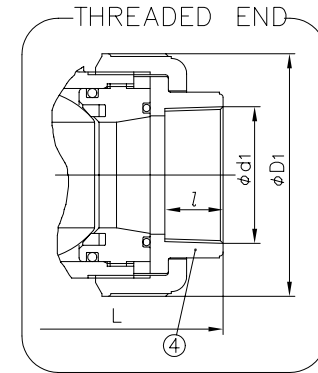
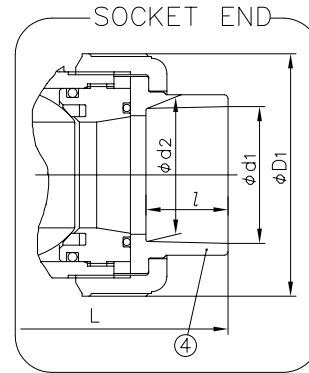
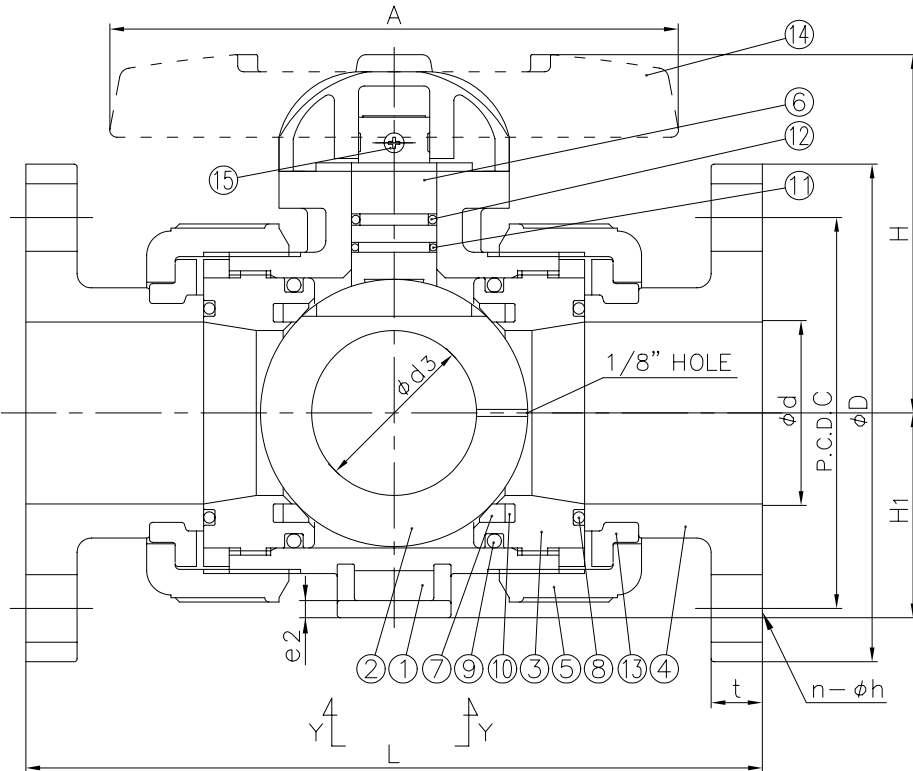
UNIT: inch

NOMINAL SIZE	FLANGED								SOCKET PVC, CPVC				THREADED										
	ANSI CLASS 150								ANSI SCH40														
	d	D	C	n	h	L	t	d <sub>1</sub>	d <sub>2</sub>	l	L	d <sub>1</sub>	l	L	d <sub>3</sub>	D <sub>1</sub>	H	H <sub>1</sub>	A	e <sub>1</sub>	e <sub>2</sub>	S <sub>1</sub>	
2 1/2"	65 <sup>mm</sup>	2.56	7.00	5.50	4	0.75	10.20	0.71	2.889	2.868	1.750	9.45	2 1/2 - 8 NPT	1.26	8.46	2.28	5.24	4.96	2.83	7.87	0.35	0.24	1.89
3	80	3.07	7.50	6.00	4	0.75	11.97	0.71	3.516	3.492	1.875	11.10	3 - 8 NPT	1.38	10.39	2.70	5.98	5.51	3.35	9.45	0.43	0.28	2.17
4	100	3.94	9.00	7.50	8	0.75	14.65	0.71	4.518	4.491	2.000	13.90	4 - 8 NPT	1.77	14.17	3.54	8.27	7.01	4.33	11.81	0.43	0.31	2.56

**FOR REFERENCE ONLY**  
**ASAHI/AMERICA**

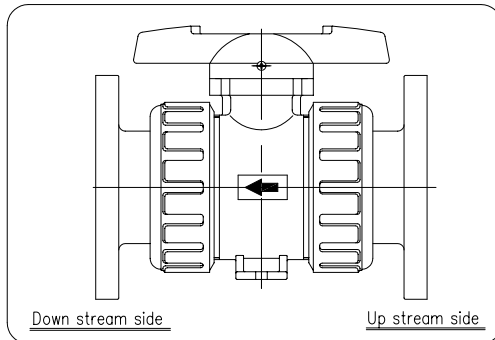
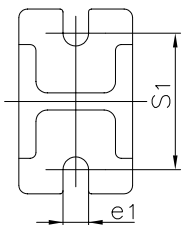
NOTE. The shape and appearance of assembly differ a little with nominal size compared to this drawing.

FLANGED END



15	SCREW	1	STAINLESS STEEL 304	
14	HANDLE	1	ABS	
13	STOP RING	2	PVDF	Used for Flanged End
12	O-RING (E)	1	□ EPDM	
11	O-RING (D)	1	□ FKM	
10	CUSHION	2	□ Others	
9	O-RING (B)	2	( )	
8	O-RING (A)	2	( )	
7	SEAT	2	PTFE	
6	STEM	1		
5	UNION NUT	2		
4	END CONNECTOR	2	□ PVC	
3	CARRIER	2	□ CPVC	
2	BALL	1		
1	BODY	1		
No.	DESCRIPTION	No.REQ'D	MATERIAL	REMARKS

Y-Y



THIS DRAWING AND ALL INFORMATION HEREON IS THE PROPERTY OF ASAHI/AMERICA. ANY COPYING, REPRODUCTION OR UNAUTHORIZED USE IS FORBIDDEN WITHOUT WRITTEN CONSENT.

	NAME	DATE
DR	KENICHI MIYAZAKI	8/26/02
APPD	DAVE HURLEY	8/26/02
PROD	LEO LESTER	8/26/02
WO#/CO#		
FILE		

**ASAHI/AMERICA**

ISO 9001 CERTIFIED

35 GREEN STREET, P.O. BOX 653, MALDEN, MA.



TRUE UNION BALL VALVE  
TYPE21 VENTED BALL  
2-1/2" THRU 4"

SIZE	A	DWG. NO.	00118BV	REV	B
SCALE	NTS		SHEET 1 OF 1		