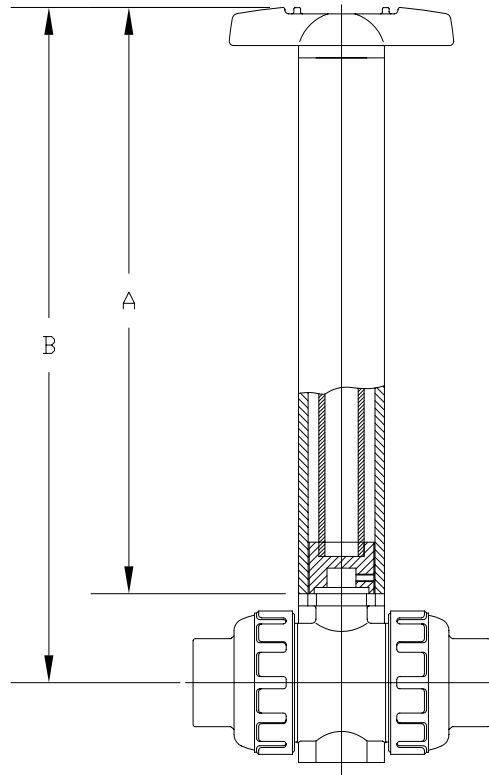
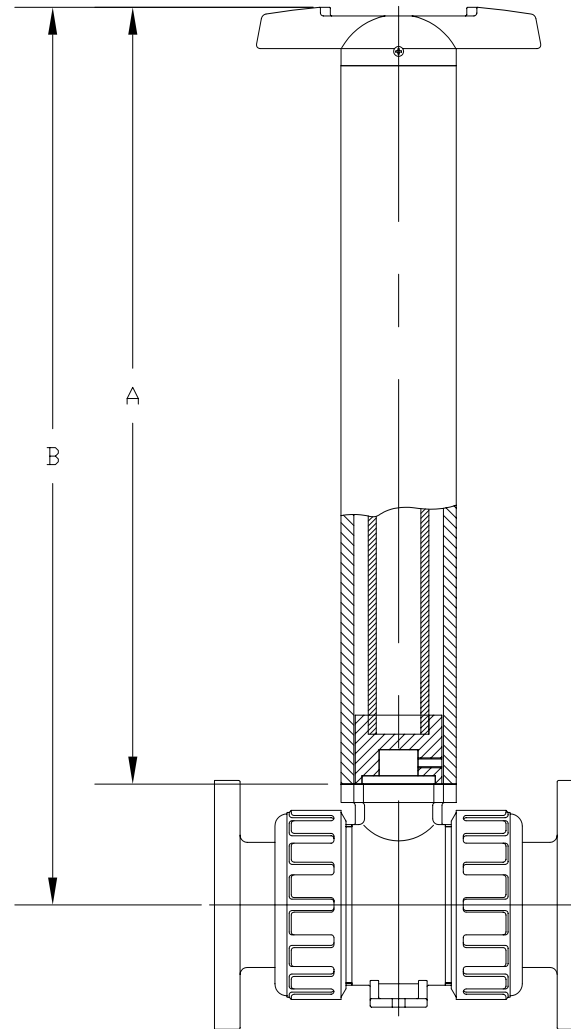


FOR REFERENCE ONLY
ASAHI/AMERICA



STYLE BV-A

(1/2" THRU. 2", TWO PIECE, NON SUPPORTED)



STYLE BV-A

(2-1/2" THRU. 4", TWO PIECE, NON SUPPORTED)

DIMENSIONS TABLE

UNIT: inch

DIMENSIONS	1/2" THRU. 2"	2-1/2" THRU. 4"
A		
B		

NOTE: 1. The shape and appearance of assembly differ a little with nominal size compared to this drawing.

THIS DRAWING AND ALL INFORMATION HEREON IS THE PROPERTY OF ASAHI/AMERICA. ANY COPYING, REPRODUCTION OR UNAUTHORIZED USE IS FORBIDDEN WITHOUT WRITTEN CONSENT.

	NAME	DATE
DR	KENICHI MIYAZAKI	9/24/01
APPD	DAVE HURLEY	5/21/03
PROD	LEO LESTER	5/21/03
WO#/SO#		
FILE		

ASAHI/AMERICA

ISO 9001 CERTIFIED

35 GREEN STREET, P.O. BOX 653, MALDEN, MA.



BALL VALVE TYPE21
 TWO PIECE STEM AND HOUSING
 1/2" THRU. 4"

SIZE	A	DWG. NO.	0028BV	REV	B
SCALE	NTS		SHEET 1 OF 1		