

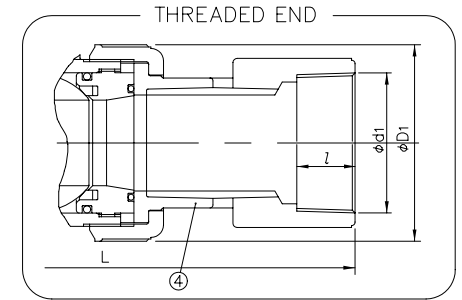
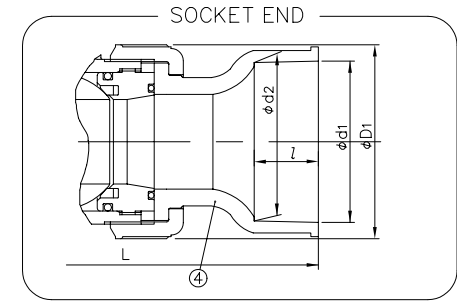
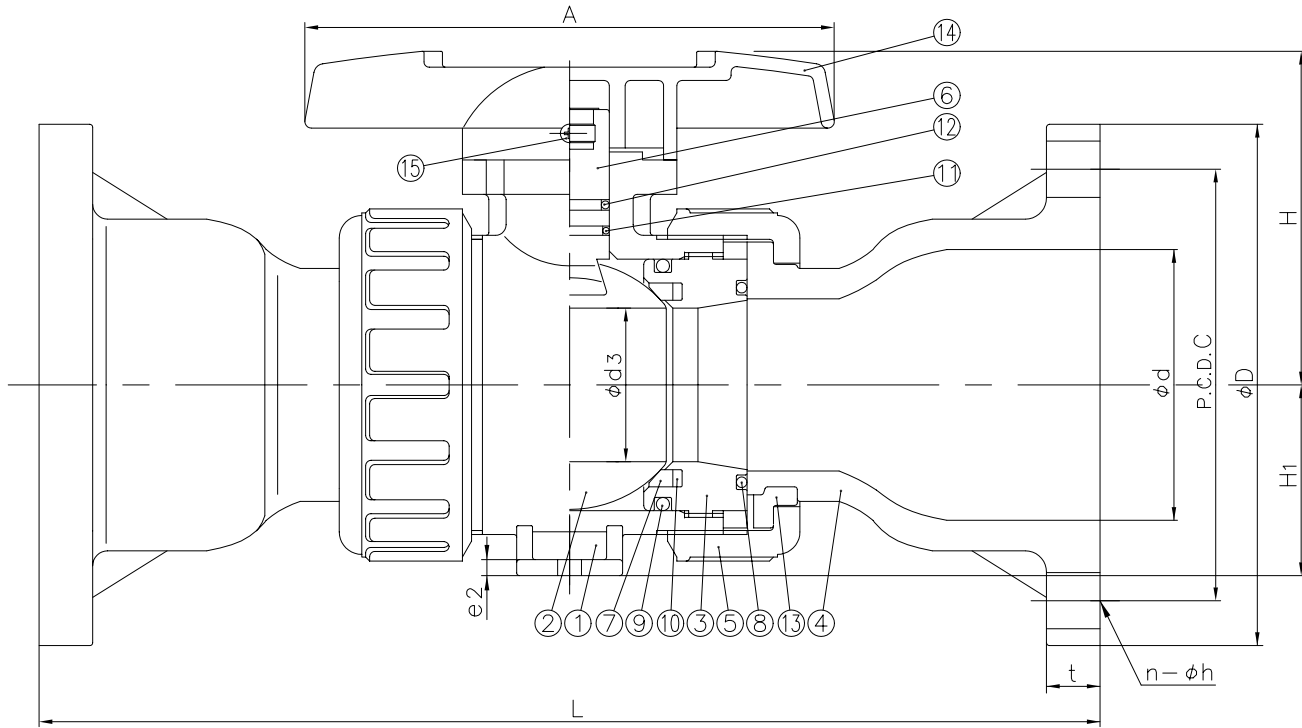
DIMENSIONS TABLE

UNIT: inch

NOMINAL SIZE	FLANGED							SOCKET PVC, CPVC				THREADED										
	ANSI CLASS 150					L	t	ANSI SCH40			L	d <sub>1</sub>	l	L	d <sub>3</sub>	D <sub>1</sub>	H	H <sub>1</sub>	A	e <sub>1</sub>	e <sub>2</sub>	S <sub>1</sub>
	d	D	C	n	h			d <sub>1</sub>	d <sub>2</sub>	l												
6"   150 <sup>mm</sup>	5.75	11.00	9.50	8	0.88	23.00	1.02	6.647	6.614	3.000	23.00	6-8NPT	2.00	27.00	3.54	8.27	7.01	4.33	11.81	0.43	0.31	2.56

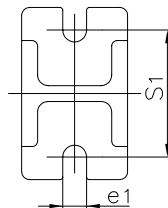
NOTE. The shape and appearance of assembly differ a little with nominal size compared to this drawing.

FLANGED END



15	SCREW	1	STAINLESS STEEL 304	
14	HANDLE	1	ABS	
13	STOP RING	2	PVDF	Used for Flanged End
12	O-RING (E)	1	□ EPDM	
11	O-RING (D)	1	□ FKM	
10	CUSHION	2	□ Others	
9	O-RING (B)	2	( )	
8	O-RING (A)	2		
7	SEAT	2	PTFE	
6	STEM	1		
5	UNION NUT	2		
4	END CONNECTOR	2	□ PVC	
3	CARRIER	2	□ CPVC	
2	BALL	1		
1	BODY	1		
No.	DESCRIPTION	No.REQ'D	MATERIAL	REMARKS

**FOR REFERENCE ONLY**  
**ASAHI/AMERICA**



THIS DRAWING AND ALL INFORMATION HEREON IS THE PROPERTY OF ASAHI/AMERICA. ANY COPYING, REPRODUCTION OR UNAUTHORIZED USE IS FORBIDDEN WITHOUT WRITTEN CONSENT.

	NAME	DATE
DR	KENICHI MIYAZAKI	8/26/02
APPD	DAVE HURLEY	8/26/02
PROD	LEO LESTER	8/26/02
WO#/SO#		
FILE		

**ASAHI/AMERICA**

ISO 9001 CERTIFIED  
35 GREEN STREET, P.O. BOX 653, MALDEN, MA.



TRUE UNION BALL VALVE  
TYPE 21  
6"

SIZE	A	DWG. NO.	0105BV	REV	B
SCALE	NTS		SHEET 1 OF 1		