

DIMENSIONS TABLE

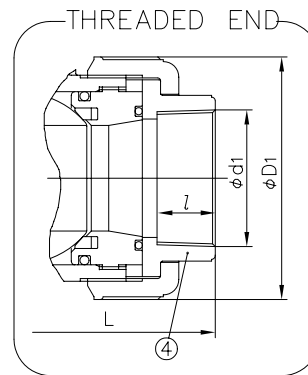
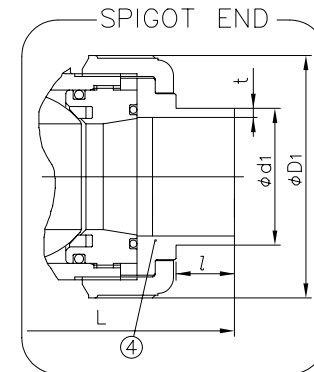
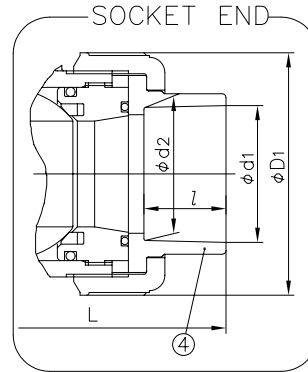
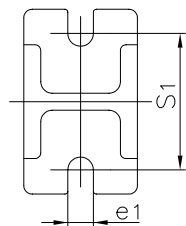
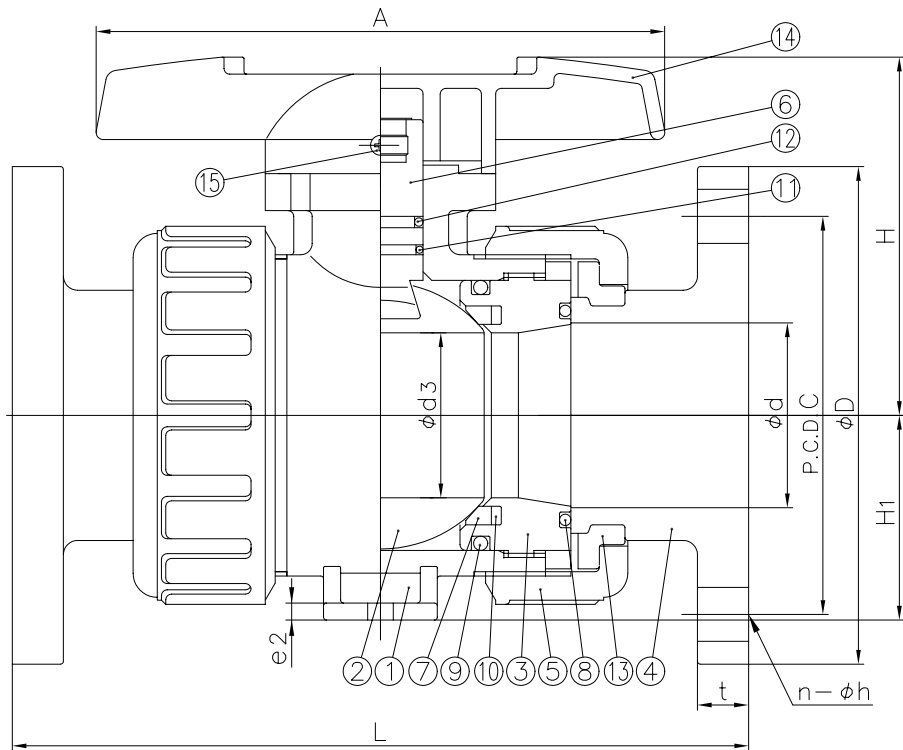
UNIT: inch

NOMINAL SIZE	FLANGED										SOCKET						THREADED			SPIGOT (BUTT END)															
	ANSI CLASS 150					PVC, CPVC					PP, PVDF (DIN)									PP, PVDF															
						ANSI SCH40					DIN 16962						PP, PVDF (IPS)																		
	d	D	C	n	h	L	t	d ₁	d ₂	l	L	d ₁	d ₂	l	L	d ₁	l	L	d ₁	l	L	d ₃	D ₁	H	H ₁	A	d ₁	l	t	t	L	e ₁	e ₂	S ₁	
2 1/2	65	2.56	7.00	5.50	4	0.75	10.20	0.71	2.889	2.868	1.750	9.45	2.923	2.911	1.22	8.15	2.880	1.752	9.45	2 1/2 - 8 NPT	1.26	8.46	2.28	5.24	4.96	2.83	7.87	2.953	1.496	0.272	0.142	9.72	0.35	0.24	1.89
3	80	3.07	7.50	6.00	4	0.75	11.97	0.71	3.516	3.492	1.875	11.10	3.512	3.498	1.40	9.88	3.480	1.874	11.10	3 - 8 NPT	1.38	10.39	2.70	5.98	5.51	3.35	9.45	3.543	1.496	0.323	0.169	11.61	0.43	0.28	2.17
4	100	3.94	9.00	7.50	8	0.75	14.65	0.71	4.518	4.491	2.000	13.90	4.293	4.278	1.63	12.20	4.480	2.252	14.37	4 - 8 NPT	1.77	14.17	3.54	8.27	7.01	4.33	11.81	4.331	1.752	0.394	0.209	12.72	0.43	0.31	2.56

NOTE. The shape and appearance of assembly differ a little with nominal size compared to this drawing.

**FOR REFERENCE ONLY
ASAHI/AMERICA**

FLANGED END



15	SCREW	1	STAINLESS STEEL 304	
14	HANDLE	1	ABS	
13	STOP RING	2	PVDF	Used for Flanged End
12	O-RING (E)	1	□ EPDM	
11	O-RING (D)	1	□ FKM	
10	CUSHION	2	□ Others	
9	O-RING (B)	2	()	
8	O-RING (A)	2	()	
7	SEAT	2	PTFE	
6	STEM	1	□ PVC	
5	UNION NUT	2	□ CPVC	
4	END CONNECTOR	2	□ PP	
3	CARRIER	2	□ PVDF	
2	BALL	1		
1	BODY	1		
No.	DESCRIPTION	No.REQ'D	MATERIAL	REMARKS

THIS DRAWING AND ALL INFORMATION HEREON IS THE PROPERTY OF ASAHI/AMERICA. ANY COPYING, REPRODUCTION OR UNAUTHORIZED USE IS FORBIDDEN WITHOUT WRITTEN CONSENT.

	NAME	DATE
DR	KENICHI MIYAZAKI	8/26/02
APPD	DAVE HURLEY	8/26/02
PROD	LEO LESTER	8/26/02
WO#/CO#		
FILE		

ASAHI/AMERICA

ISO 9001 CERTIFIED

35 GREEN STREET, P.O. BOX 653, MALDEN, MA.



TRUE UNION BALL VALVE
TYPE21
2-1/2" THRU 4"

SIZE	A	DWG. NO.	0099BV	REV	D
SCALE	NTS		SHEET 1 OF 1		