



The Speed Handle™ is an accessory adder to the Plasgear™ gear-operator for butterfly valves. The revolving grip permits faster, single handed revolutions of the hand wheel for quicker valve actuation.

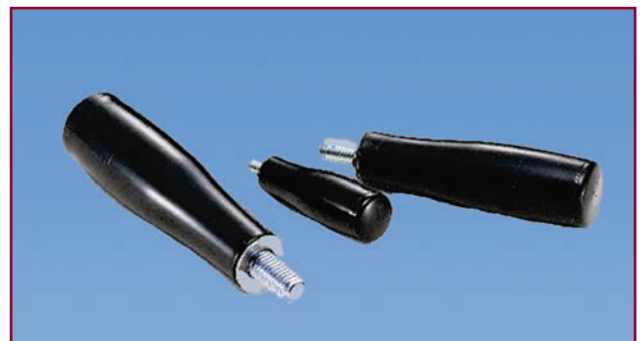
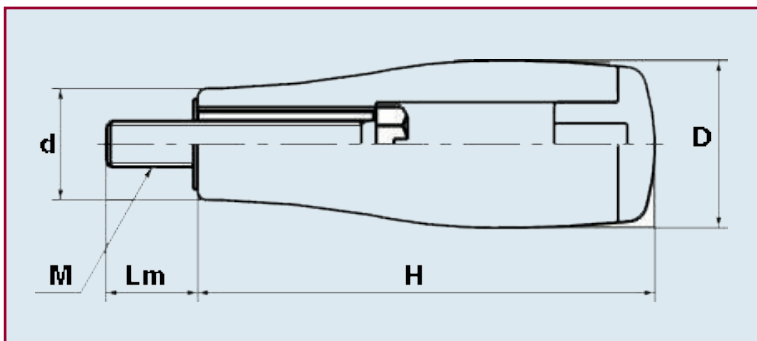
Standard Features

- Designed to fit Plasgear™ operated butterfly valves
- Butterfly valves sizes 1-1/2" – 16"
- Sold in "Kit" form consisting of Plasgear™ hand wheel and grip
- Available in both red and blue for Type-241 and Type-243 Plasgear™
- PPG hand wheel, nylon 6 (black) grip, SS400 chromate treated M10 bolt and SS M10 hex nut
- Available as a field installable kit or as an accessory adder to a current valve order.

Ideal Applications

- Hard to reach locations
- Aquariums
- Landfills
- Chemical processing
- Mining

Speed Handle™ Grip Dimensions (in.)



Description	D	M	Lm	d	H	Weight
Speed Handle Grip	1.10	M10	0.787	0.787	3.75	3.03 oz