

Actuator Options

Diaphragm Valves



UL-508
Listed

Series 92 Electric Actuators

Standard Features (Sizes 1/2" – 4")

- Reversing, capacitor run 120 VAC 50/60 Hz, motor
- Integral thermal overload protection with automatic reset
- Permanently lubricated, Rockwell hardened gearing
- Thermally bonded polyester powder coat finish
- Weather proof enclosure with SS trim
- Two 1/2" FNPT conduit entries to eliminate cross feed between control, feedback, and power signals
- Highly visible Beacon position indicator
- Standard end of travel limit switches can be used for light indication (not to be used with PLC for position confirmation)
- Declutchable manual override
- RHM Module (consisting of a heater and thermostat, and 2-SPDT 8A dry contact relays for PLC position confirmation.) See page 71.
- Captivated SS hexhead slotted enclosure screws
- Mounting is with SS bracket, coupling and fasteners

Options

- Feedback Potentiometer
- Positioner (modulating PCB)
- Transmitter
- Explosion Proof Enclosure (UL1203)
- Voltages
- HMI/LRS Control Station

Dimensions (in.)

Weight (lbs.)

Cycle Times

NOMINAL SIZE		H	H1	L
INCHES	mm			
1/2	15	1.75	3.55	4.25
3/4	20	1.94	3.61	5.88
1	25	2.13	3.77	5.88
1-1/2	40	2.50	6.50	6.94
2	50	3.00	7.02	7.94
2-1/2	65	3.50	9.52	9.84
3	80	3.75	10.25	10.38
4	100	4.50	11.00	12.94

NOMINAL SIZE		WT. (LBS.)
INCHES	mm	
1/2	15	16.80
3/4	20	17.10
1	25	17.70
1-1/2	40	21.50
2	50	23.30
2-1/2	65	29.60
3	80	32.94
4	100	41.10

NOMINAL SIZE		TIME (SEC)
INCHES	mm	
1/2	15	195
3/4	20	195
1	25	195
1-1/2	40	255
2	50	315
2-1/2	65	375
3	80	375
4	100	375

Specifications

Motor Type: Reversing, 120VAC
single phase

Sizes: S92 for 1/2" – 2-1/2"

A92 for 3" - 4"

Torque: S92, 400 in/lbs

A92 700 in/lbs.

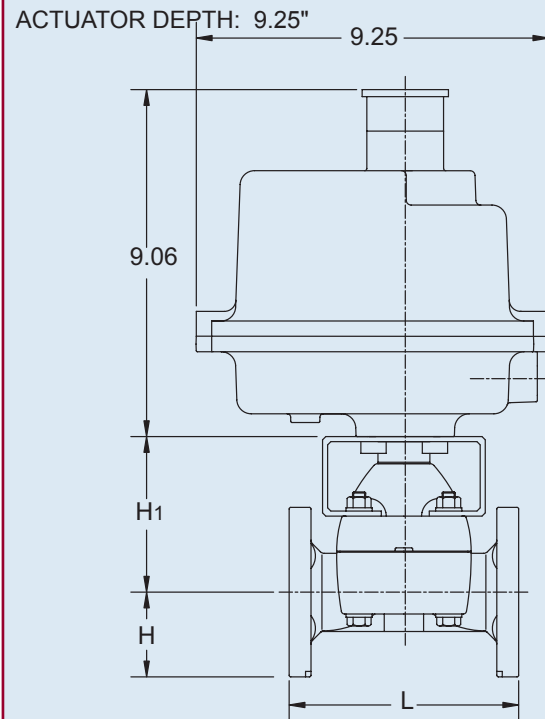
Voltage: 120 VAC, Single Phase

Amp Draw: S92: .50 Amps A92: .80 Amps

Max Ambient Temp: 150° F

Switches: 2-SPDT

RHM Module: 15 Watt heater & 2-SPDT 8A
dry contact relays

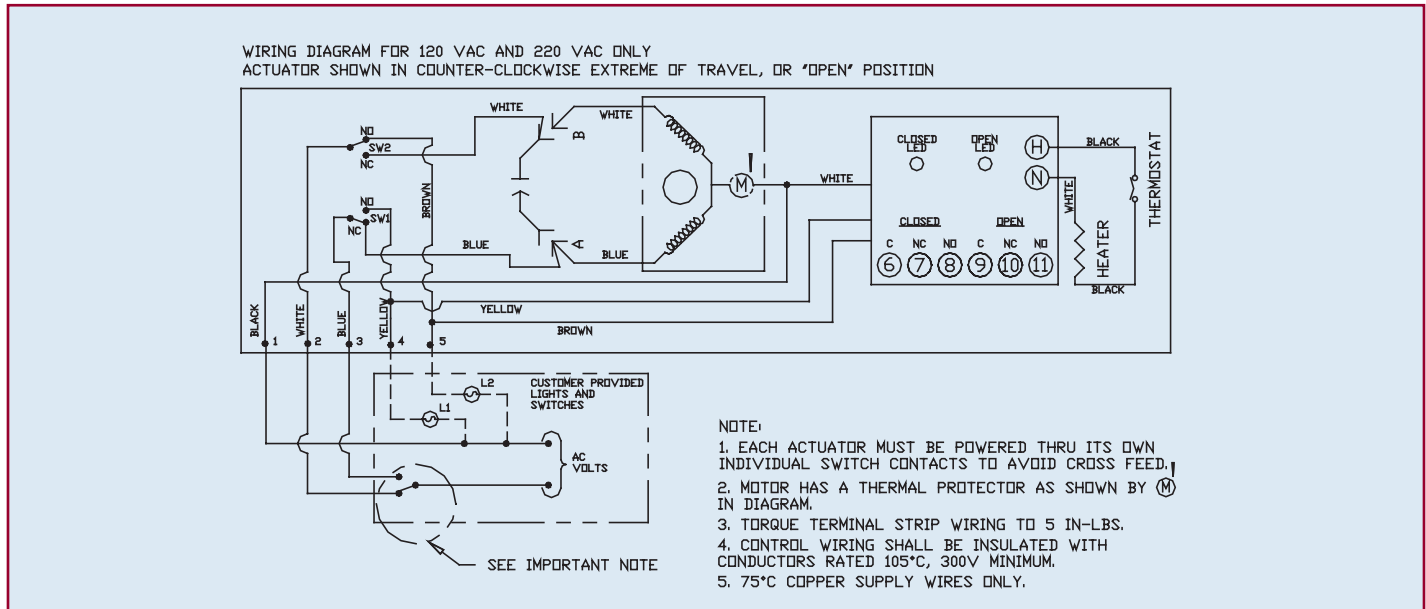


NOTE: CONSULT FACTORY FOR SIZES GREATER THAN 4"
FOR TRUE UNION "L" DIMENSIONS SEE PAGE 92.

Actuator Options

Diaphragm Valves

AC Wiring (For 120 VAC only)



NOTE TO WIRING DIAGRAM:

1. EACH ACTUATOR MUST BE POWERED THROUGH ITS OWN INDIVIDUAL SWITCH CONTACTS TO AVOID CROSS FEED.

2. MOTOR HAS A THERMAL PROTECTOR AS SHOWN BY Ⓜ IN DIAGRAM.

3. IF 120 VAC MODELS ARE PLC DRIVEN, OUTPUT CONTACTS OF PLC SHOULD BE RATED AT A MINIMUM OF 1.5 TIMES REQUIRED INPUT VOLTAGE OF ACTUATOR.

Engineering Data

Valve Size	Model	Torque	Duty Cycle	Cycle Time (Sec)	Amp Draw						Weight (Lbs)
					120 VAC	220 VAC	12 VDC	24 VDC	12 VAC	24 VAC	
1/2"	S92	400	25%	195	0.5	0.4	2.0	4.0	2.0	3.0	16.8
3/4"	S92	400	25%	195	0.5	0.4	2.0	4.0	2.0	3.0	17.1
1"	S92	400	25%	195	0.5	0.4	2.0	4.0	2.0	3.0	17.7
1 1/2"	S92	400	25%	255	0.5	0.4	2.0	4.0	2.0	3.0	21.5
2"	S92	400	25%	315	0.5	0.4	2.0	4.0	2.0	3.0	23.3
2 1/2"	S92	400	25%	375	0.5	0.4	2.0	4.0	2.0	3.0	29.6
3"	A92	700	25%	375	0.8	0.6	2.0	4.0	2.0	3.0	31.9
4"	A92	700	25%	375	0.8	0.6	2.0	4.0	2.0	3.0	41.1

*Cycle times approximate. Duty cycle shown for ambient temp. (73° F)