

MPV Sampling Valves

Dymatrix™



- Inline sampling valve assembly eliminates dead leg and crevices
- Clean PTFE diaphragm material
- Poppet diaphragm close to mainline
- Proven Dymatrix™ MPV valve and bonnet technology
- Manual Push2Lock™ handle is easy to use

Specifications

Body Material: Purad® PVDF

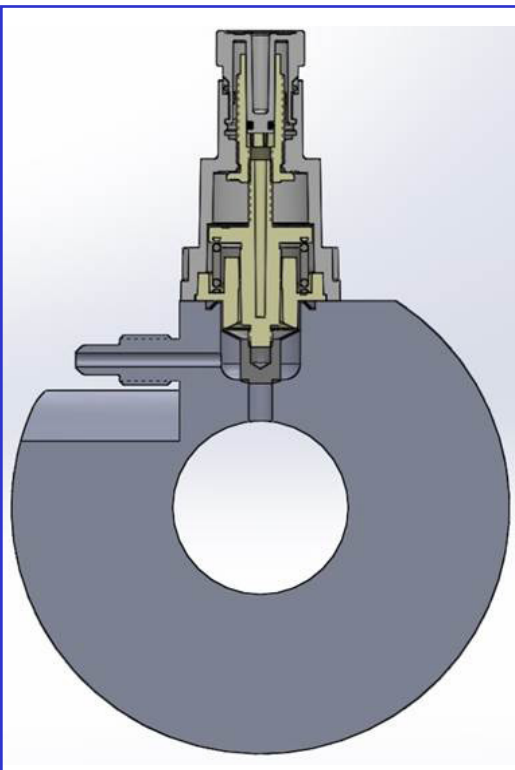
Diaphragm: PTFE

Seals: non-wetted FKM

Valve Outlet: 1/4", 3/8" and 1/2" in flare or female NPT

Valve Body Inline: 20 - 250mm (1/2" – 10") PVDF pipe in SDR 21 & 33

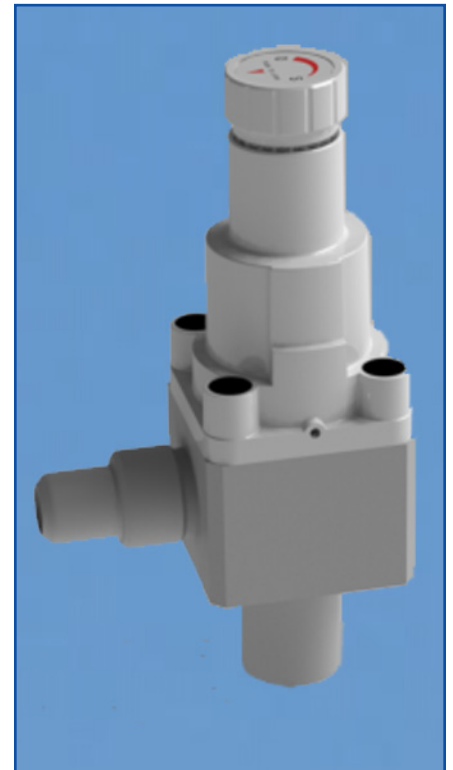
Valve Inlet 2-Way: 1/4", 3/8" and 1/2" in spigot or male NPT



MPV Sampling Valve Cross Section



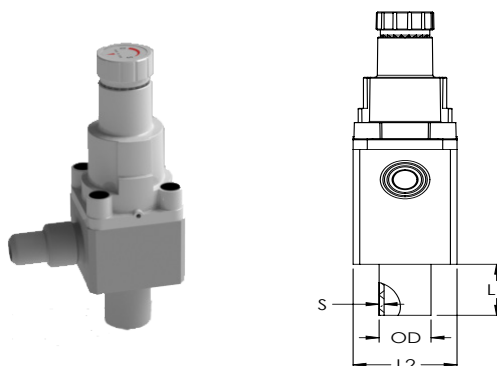
MPV Inline Sampling Valve



MPV 2-Way Sampling Valve

Part Numbers and Dimensions

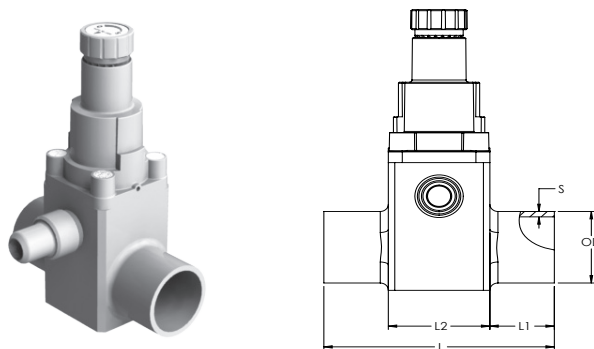
Dymatrix™



MPV SAMPLING VALVE WITH PUSH-2-LOCK™ HANDLE with Flare

| Size | | Flare inch | Description | Dimensions | | | SDR 21 / MOP 100 PSI Part Number |
|------|------|---------------|--------------|------------|-------|-------|-------------------------------------|
| mm | inch | | | L1 | L2 | s | |
| 20 | 1/2 | 1/4" | Spigot Inlet | 1.0 | 1.575 | 0.075 | 548101096 |
| | | 1/2" | Spigot Inlet | 1.0 | 1.575 | 0.075 | 548101005 |
| 20 | 1/2 | 1/4" | MNPT Inlet | - | 1.575 | 0.075 | 548102096 |
| | | 1/2" | MNPT Inlet | - | 1.575 | 0.075 | 548102005 |

Non-returnable / non-cancelable



MPV INLINE SAMPLING VALVE WITH PUSH-2-LOCK™ HANDLE PVDF body, PTFE diaphragm

| Size | | Flare inch | L | Dimensions | | | SDR 21 / MOP 100 PSI Part Number |
|------|-------|---------------|-----|------------|-------|-------|-------------------------------------|
| mm | inch | | | L1 | L2 | s | |
| 20 | 1/2 | 1/4" | 2.6 | 1.0 | 1.575 | 0.075 | 549902096 |
| | | 1/2" | 2.6 | 1.0 | 1.575 | 0.075 | 549902005 |
| 25 | 3/4 | 1/4" | 2.6 | 1.0 | 1.575 | 0.075 | 549902103 |
| | | 1/2" | 2.6 | 1.0 | 1.575 | 0.075 | 549902101 |
| 32 | 1 | 1/4" | 2.6 | 1.0 | 1.575 | 0.094 | 549902104 |
| | | 1/2" | 2.6 | 1.0 | 1.575 | 0.094 | 549902130 |
| 40 | 1-1/4 | 1/4" | 2.6 | 1.0 | 1.575 | 0.094 | 549902159 |
| | | 1/2" | 2.6 | 1.0 | 1.575 | 0.094 | 549902166 |
| 50 | 1-1/2 | 1/4" | 2.6 | 1.0 | 1.575 | 0.118 | 549902207 |
| | | 1/2" | 2.6 | 1.0 | 1.575 | 0.118 | 549902205 |

Non-returnable / non-cancelable



655 Andover Street, Lawrence, MA 01843 • Tel: 800-343-3618 • 781-321-5409 • Fax: 800-426-7058
E-mail: asahi@asahi-america.com • www.asahi-america.com



MPV SAMPLING INLINE VALVE WITH PUSH-2-LOCK™ HANDLE
PVDF body, PTFE diaphragm

| Size | | Flare inch | SDR 21 / MOP 100 PSI | SDR 33 / MOP 100 PSI |
|------|-------|---------------|----------------------|----------------------|
| mm | inch | | Part Number | Part Number |
| 63 | 2 | 1/4" | 549902244 | - |
| | | 1/2" | 549902246 | - |
| 75 | 2-1/2 | 1/4" | 549902283 | - |
| | | 1/2" | 549902285 | - |
| 90 | 3 | 1/4" | 549202330 | 549902330 |
| | | 1/2" | 549202332 | 549902332 |
| 110 | 4 | 1/4" | 549202402 | 549902402 |
| | | 1/2" | 549202399 | 549902399 |
| 160 | 6 | 1/4" | 549202509 | 549902509 |
| | | 1/2" | 549202512 | 549902512 |
| 200 | 8 | 1/4" | 549202565 | 549902565 |
| | | 1/2" | 549202569 | 549902569 |
| 225 | 9 | 1/4" | 549202598 | 549902598 |
| | | 1/2" | 549202599 | 549902599 |
| 250 | 10 | 1/4" | 549202619 | 549902619 |
| | | 1/2" | 549202621 | 549902621 |

Non-returnable / non-cancelable
 Please consult Asahi/America for dimensions.