

FOR REFERENCE ONLY
ASAHI/AMERICA

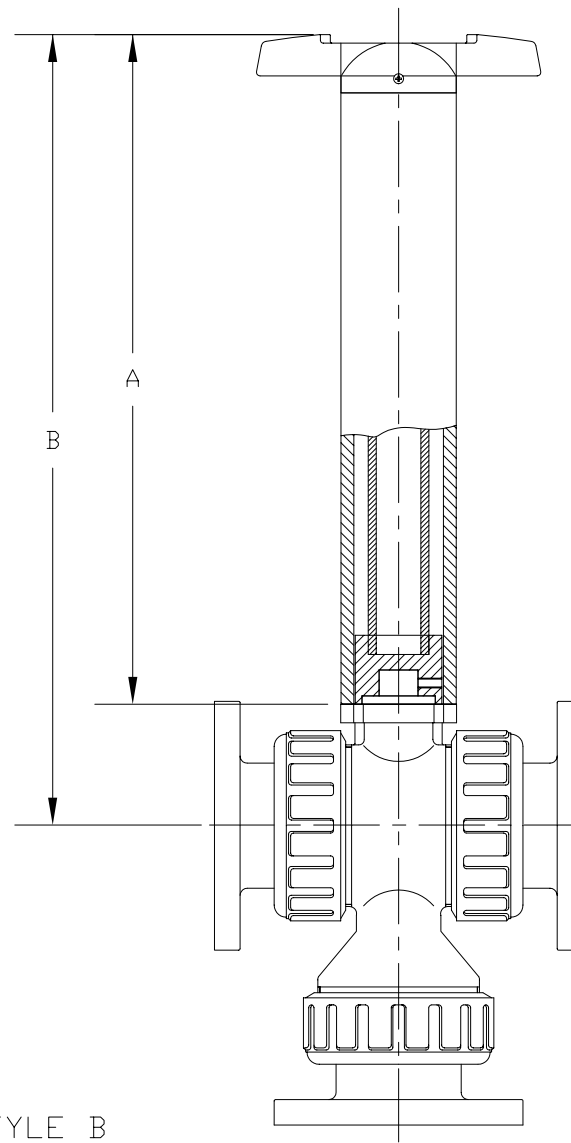
STYLE B

(1/2" THRU. 2", ONE PIECE, NON SUPPORTED)

DIMENSIONS TABLE UNIT: inch

DIMENSIONS	1/2" THRU. 2"	3" AND 4"
A		
B		


- NOTE; 1) THE SHAPE AND APPEARANCE OF ASSEMBLY DIFFER A LITTLE WITH NOMINAL SIZE COMPARED TO THIS DRAWING.
- 2) FOR DETAILED VALVE DIMENSIONS, REFER TO DWG. NO. 0126BV, 0127BV, 0128BV.
 L-PORT : DWG. NO. 0126BV
 DOUBLE L-PORT : DWG. NO. 0127BV
 CROSS PORT : DWG. NO. 0128BV



STYLE B

(3" & 4", ONE PIECE, NON SUPPORTED)

THIS DRAWING AND ALL INFORMATION HEREON IS THE PROPERTY OF ASAHI/AMERICA. ANY COPYING, REPRODUCTION OR UNAUTHORIZED USE IS FORBIDDEN WITHOUT WRITTEN CONSENT.		
DR	KENICHI MIYAZAKI	1/28/03
APPD	DAVE HURLEY	1/28/03
PROD	LEO LESTER	1/28/03
WO#/SO#		
FILE		

ASAHI/AMERICA		
ISO 9001 CERTIFIED		
35 GREEN STREET, P.O. BOX 653, MALDEN, MA.		
MULTI PORT BALL VALVE TYPE23 TWO PIECE STEM AND HOUSING 1/2" THRU. 4"		
SIZE	DWG. NO.	REV
A	0134BV	A
SCALE NTS		SHEET 1 OF 1