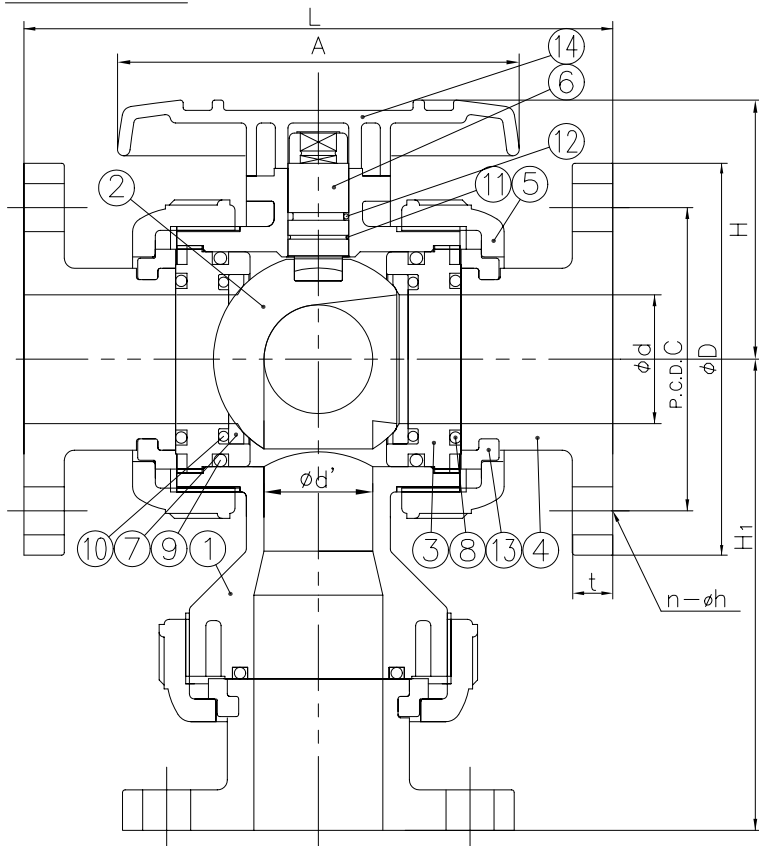


FLANGED END



DIMENSIONS TABLE

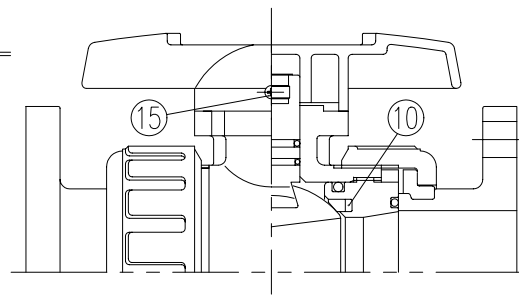
NOMINAL SIZE	UNIT: inch																	
	FLANGED									THREADED								
	ANSI CLASS 150			ANSI CLASS 150			ANSI CLASS 150			ANSI CLASS 150			ANSI CLASS 150			ANSI CLASS 150		
d	d'	D	C	n	h	L	t	H1	d1	l	L	H1	D1	H	A			
1/2"	15mm	0.59	0.59	3.50	2.38	4	0.62	5.63	0.47	3.70	1/2 -14NPT	0.59	4.02	2.89	1.89	2.03	3.62	
3/4"	20	0.79	0.79	3.88	2.75	4	0.62	6.77	0.55	4.50	3/4 -14NPT	0.67	4.72	3.48	2.36	2.34	3.94	
1"	25	0.98	0.98	4.25	3.12	4	0.62	7.36	0.55	5.24	1 -1 1/2 NPT	0.79	5.16	4.13	2.76	2.68	4.33	
1 1/2"	40	1.57	1.26	5.00	3.88	4	0.62	8.35	0.63	6.50	1 1/2 -1 1/2 NPT	0.98	6.42	5.53	3.94	3.50	5.16	
2"	50	2.01	1.69	6.00	4.75	4	0.75	9.21	0.63	7.34	2 -1 1/2 NPT	1.10	7.76	6.61	4.96	4.04	6.26	
3"	80	3.07	2.70	7.50	6.00	4	0.75	11.97	0.71	10.06	3 -8 NPT	1.38	10.39	9.25	5.98	5.51	9.45	
4"	100	3.94	3.54	9.00	7.50	8	0.75	14.65	0.71	12.01	4 -8 NPT	1.77	14.17	11.77	8.27	7.01	11.81	

DIMENSIONS TABLE

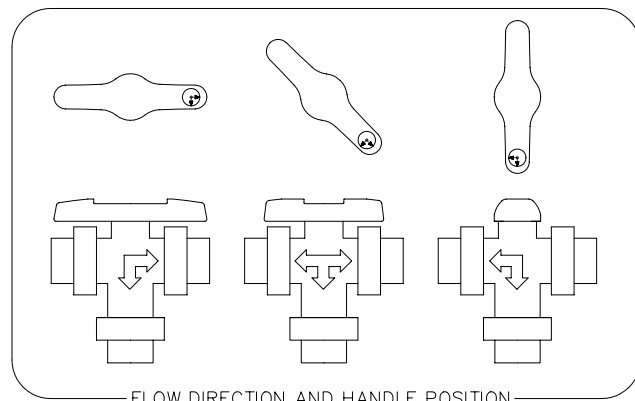
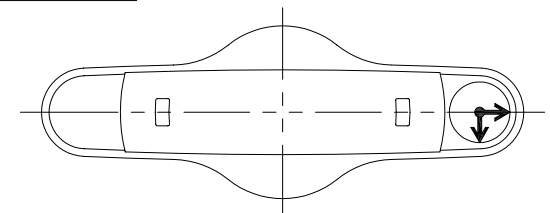
NOMINAL SIZE	UNIT: inch																				
	PVC, CPVC									SOCKET PP, PVDF (DIN)						SPIGOT (BUTT END) PP, PVDF					
	ASTM SCH 80/40			DIN 16962			PP, PVDF (IPS)			DIN 3442			PP			PVDF					
	d1	d2	l	L	H1	d1	d2	l	L	H1	d1	l	L	H1	d2	l	t	t	L	H1	
1/2"	15mm	0.848	0.836	0.875	4.45	3.08	0.768	0.760	0.57	3.90	2.80	0.83	0.87	4.45	3.09	0.787	0.728	0.098	0.075	4.88	3.27
3/4"	20	1.058	1.046	1.000	5.08	3.56	0.965	0.957	0.63	4.49	3.27	1.03	1.00	5.08	3.61	0.984	0.866	0.106	0.075	5.67	3.90
1"	25	1.325	1.310	1.125	5.75	4.32	1.240	1.232	0.71	4.84	3.94	1.30	1.13	5.75	4.37	1.260	0.886	0.118	0.094	6.06	4.53
1 1/2"	40	1.912	1.894	1.375	7.24	5.71	1.947	1.937	0.93	5.83	5.16	1.89	1.37	7.24	5.85	1.969	1.260	0.181	0.118	6.85	6.02
2"	50	2.387	2.369	1.500	8.23	6.66	2.461	2.445	1.08	6.93	6.06	2.36	1.50	8.23	6.76	2.480	1.417	0.228	0.118	8.82	7.01
3"	80	3.516	3.492	1.875	11.10	9.59	3.512	3.498	1.40	9.88	8.82	3.48	1.87	11.10	11.10	3.543	1.496	0.323	0.169	11.61	9.69
4"	100	4.518	4.491	2.000	13.90	11.58	4.293	4.278	1.63	12.20	10.98	4.48	2.25	14.37	14.37	4.331	1.752	0.394	0.209	12.72	11.85

NOTE: The shape and appearance of assembly differ a little with nominal size compared to this drawing.

3" & 4"



INDICATION



No.	DESCRIPTION	No. REQ'D	MATERIAL	REMARKS
4a	RING	3	STAINLESS STEEL 304	Used for CPVC Threaded End Connector: 1/2" - 1"
15	SCREW	1	STAINLESS STEEL 304	Used for Size: 3" & 4"
14	HANDLE	1	ABS	
13	STOP RING	3	PVDF	Used for Flanged End
12	O-RING (E)	1		
11	O-RING (D)	1	EPDM	
10	CUSHION	2	FKM	Used for Size: 3" & 4"
10	O-RING (C)	2	Others	Used for Size: 1/2" - 2"
9	O-RING (B)	2	( )	
8	O-RING (A)	3		
7	SEAT	2	PTFE	
6	STEM	1	PVC	
5	UNION NUT	3	CPVC	
4	END CONNECTOR	3	CPVC	
3	CARRIER	2	PP	
2	BALL	1	PVDF	
1	BODY	1	PVDF	

THIS DRAWING AND ALL INFORMATION HEREON IS THE PROPERTY OF ASAHI/AMERICA. ANY COPYING, REPRODUCTION OR UNAUTHORIZED USE IS FORBIDDEN WITHOUT WRITTEN CONSENT.

	NAME	DATE
DR	KENICHI MIYAZAKI	1/28/03
APPD	DAVE HURLEY	1/28/03
PROD	LEO LESTER	1/28/03
WO#/CO#		
FILE		

**ASAHI/AMERICA**  
 ISO 9001 CERTIFIED  
 35 GREEN STREET, P.O. BOX 653, MALDEN, MA.

**MULTI PORT BALL VALVE**  
 TYPE23 DOUBLE L-PORT  
 1/2" THRU 4"

SIZE **A** DWG. NO. **0127BV** REV **A**

SCALE **NTS** SHEET **1** OF **1**

