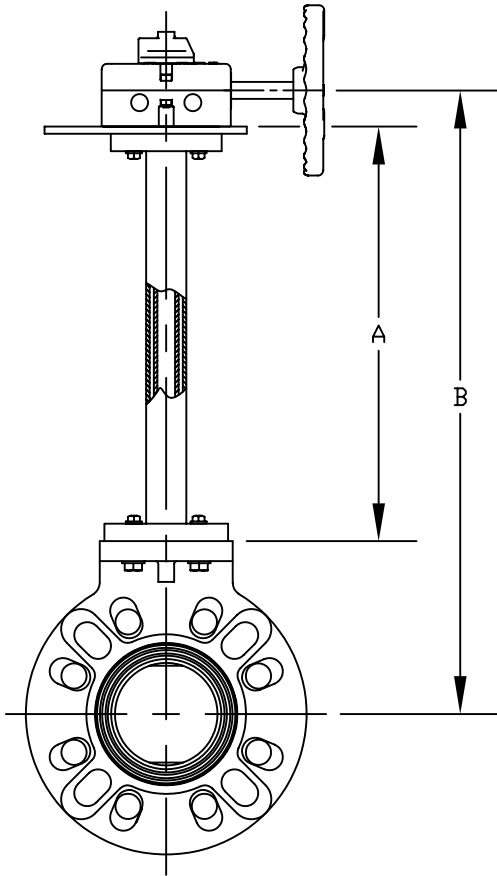
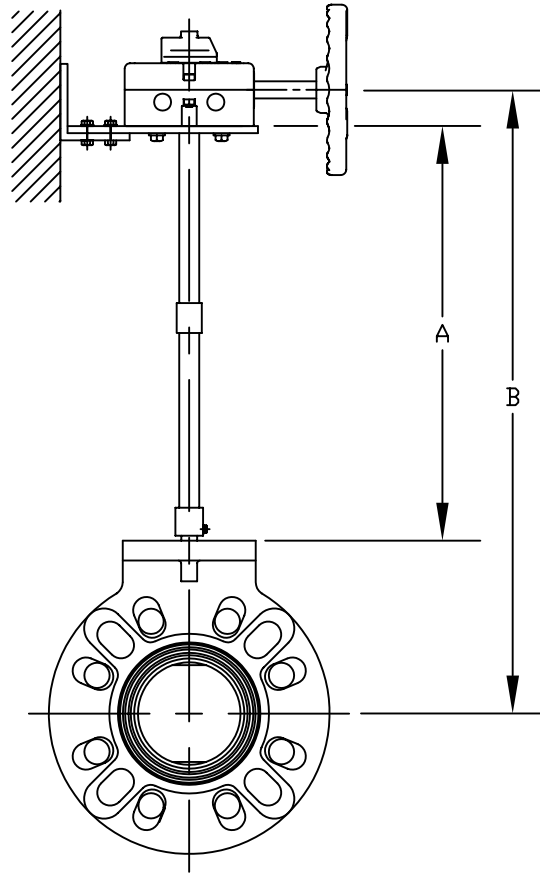


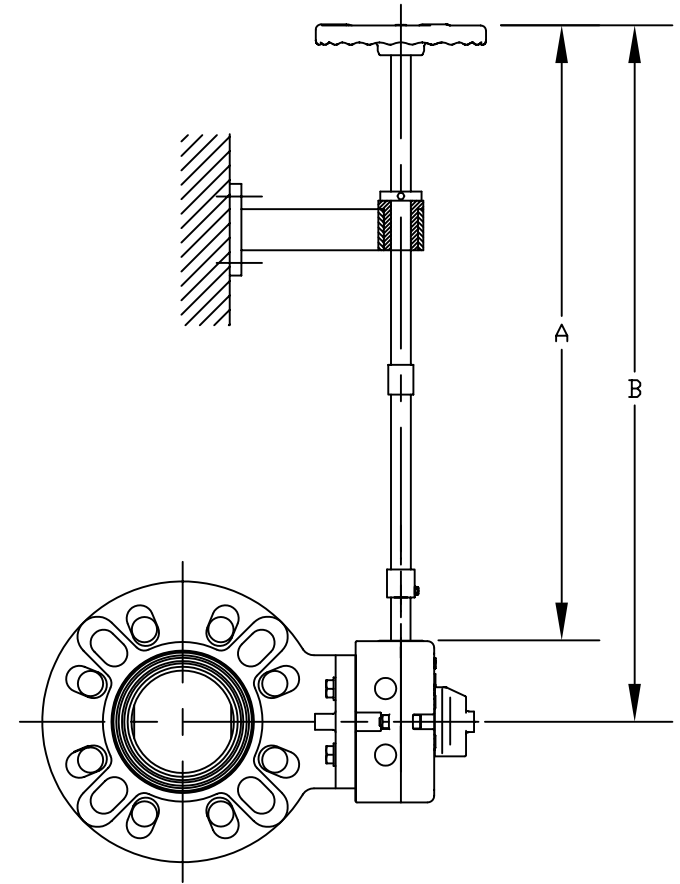
FOR REFERENCE ONLY
ASAHI/AMERICA



STYLE GBF-A
 (TWO PIECE, STEM & HOUSING)



STYLE GBF-B
 (ONE PIECE, NON-SUPPORTED)



STYLE GBF-C
 (ONE PIECE, NON-SUPPORTED)

DIMENSIONS TABLE

UNIT: inch

DIMENSIONS	STYLE A	STYLE B	STYLE C
A			
B			

NOTE: 1. The shape and appearance of assembly differ a little with nominal size compared to this drawing.

THIS DRAWING AND ALL INFORMATION HEREON IS THE PROPERTY OF ASAHI/AMERICA. ANY COPYING, REPRODUCTION OR UNAUTHORIZED USE IS FORBIDDEN WITHOUT WRITTEN CONSENT.

	NAME	DATE
DR	JOHN GLASSFORD	6/14/05
APPD	DAVE HURLEY	6/14/05
PROD	LEO LESTER	6/14/05
WO#/CO#		
FILE		

ASAHI/AMERICA

ISO 9001 CERTIFIED

35 GREEN STREET, P.O. BOX 653, MALDEN, MA.



BUTTERFLY VALVE TYPE57
 GEAR TYPE
 TYPICAL STEM EXTENSIONS

SIZE	A	DWG. NO.	0198BF57	REV	A
SCALE	NTS		SHEET 1 OF 1		