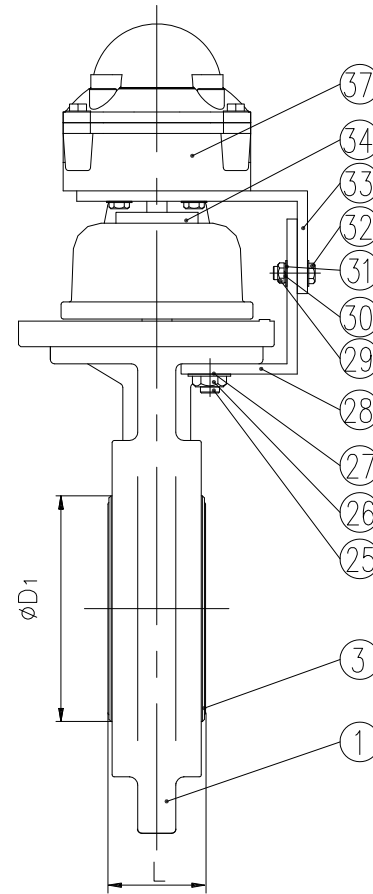
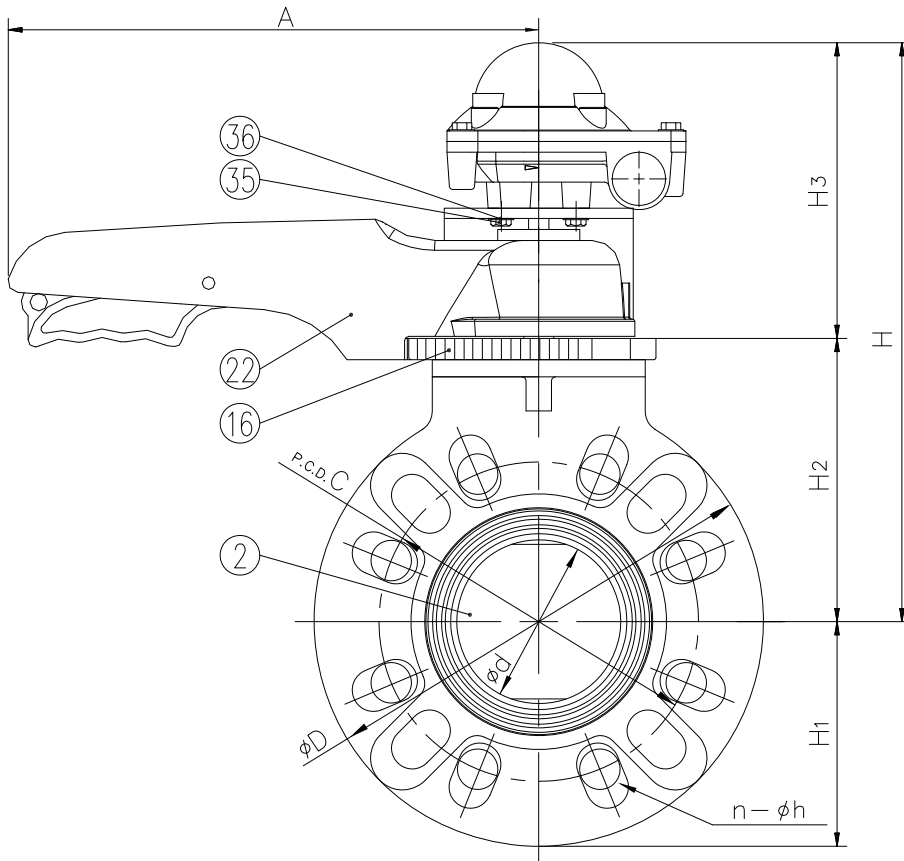


**FOR REFERENCE ONLY  
ASAHI/AMERICA**



37	LIMIT SWITCH	1	Aluminum Alloy Diecast	
36	WASHER (C)	4	STAINLESS STEEL 303	6
35	BOLT (C)	4	STAINLESS STEEL 303	M6-12LG
34	COUPLING	1	STAINLESS STEEL 303	KEY No. 303
33	BRACKET (B)	1	STAINLESS STEEL 303	
32	BOLT (B)	2	STAINLESS STEEL 303	M8-20LG
31	WASHER (B)	4	STAINLESS STEEL 303	8
30	LOCK WASHER	2	STAINLESS STEEL 303	8
29	NUT (B)	2	STAINLESS STEEL 303	M8
28	BRACKET (A)	1	STAINLESS STEEL 303	
27	WASHER (A)	2	STAINLESS STEEL 303	
26	NUT (A)	2	STAINLESS STEEL 303	
25	Slotted head Machine Screw	2	STAINLESS STEEL 303	
22	LOCKING PLATE	1	PPG	
16	HANDLE (A)	1	PP	
3	SEAT	1	<input type="checkbox"/> EPDM <input type="checkbox"/> FKM <input type="checkbox"/> Others ( )	
2	DISC	1	BODY/ DISC <input type="checkbox"/> U-PVC / PP <input type="checkbox"/> U-PVC / U-PVC <input type="checkbox"/> PP / PP <input type="checkbox"/> PVDF/ PVDF	
1	BODY	1		
No.	DESCRIPTION	No.REQ'D	MATERIAL	REMARKS

DIMENSIONS TABLE

UNIT: inch

NOMINAL SIZE	d	ANSI Class 150			D	D1	L	H	H1	H2	H3	A
		C	n	h								
1½" 40 <sup>mm</sup>	1.77	3.88	4	0.62	5.91	2.83	1.54	9.54	2.95	3.94	5.60	8.66
2	2.20	4.75	4	0.75	6.50	3.23	1.65	9.93	3.25	4.33	5.60	8.66
2½	2.72	5.50	4	0.75	7.28	3.78	1.81	10.32	3.64	4.72	5.60	8.66
3	3.03	6.00	4	0.75	8.31	4.17	1.81	11.05	4.15	5.31	5.74	9.84
4	4.02	7.50	8	0.75	9.37	5.31	2.20	11.65	4.69	5.91	5.74	9.84
5	5.08	8.50	8	0.88	10.39	6.69	2.60	12.74	5.20	6.61	6.13	12.60
6	5.91	9.50	8	0.88	11.22	7.52	2.80	13.33	5.61	7.20	6.13	12.60
8	7.68	11.75	8	0.88	13.39	9.53	3.43	14.58	6.69	8.43	6.15	15.75

NOTE. The shape and appearance of assembly differ a little with nominal size compared to this drawing.

THIS DRAWING AND ALL INFORMATION HEREON IS THE PROPERTY OF ASAHI/AMERICA. ANY COPYING, REPRODUCTION OR UNAUTHORIZED USE IS FORBIDDEN WITHOUT WRITTEN CONSENT.

**ASAHI/AMERICA**

ISO 9001 CERTIFIED

35 GREEN STREET, P.O. BOX 653, MALDEN, MA.



BUTTERFLY VALVE TYPE57  
LEVER TYPE 1-1/2" THRU 8"  
P-Series LIMIT SWITCH BOX

	NAME	DATE
DR	NORIMITSU KAI	8/18/08
APPD	D.HURLEY	8/20/08
PROD		
WO#/CO#		
FILE		

SIZE	A	DWG. NO.	00BF0731	REV	A
SCALE	NTS		SHEET 1 OF 1		