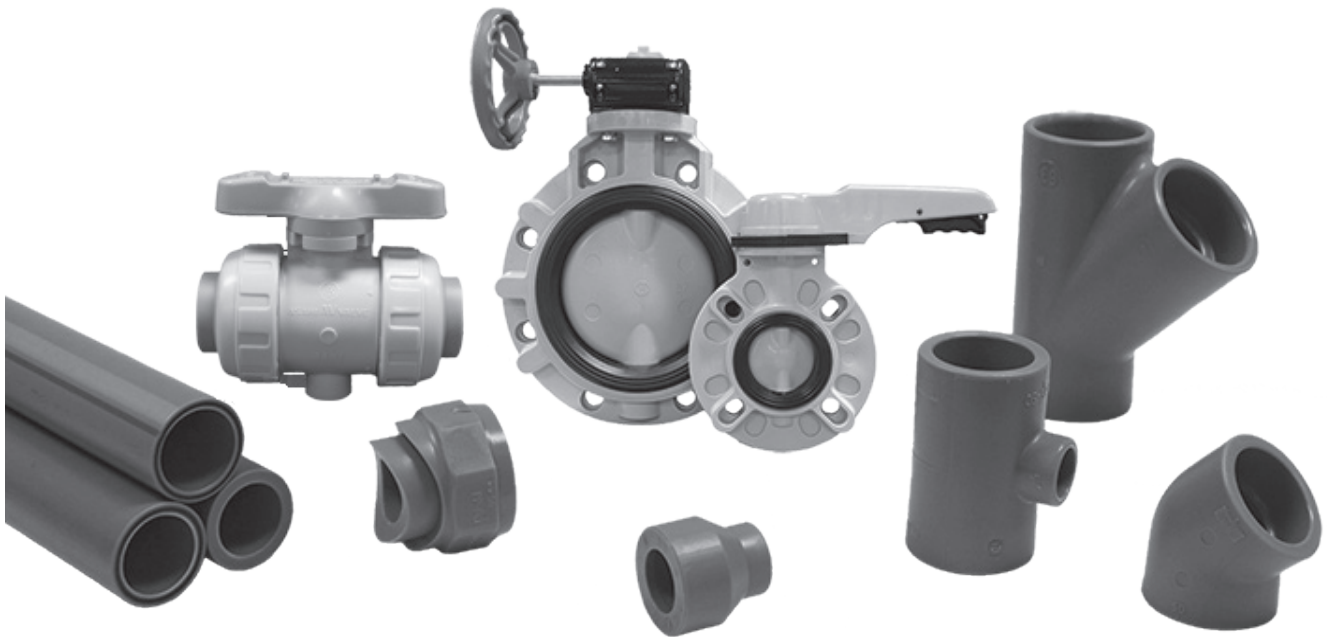




PP-RCT Plumbing and HVAC Piping Systems



PP-RCT is the latest advancement in polypropylene polymers and has a wide range of benefits for commercial plumbing systems. It has a more complex crystalline structure that provides greater pressure resistance at higher temperatures than conventional PP materials. When utilized in a piping system, these enhanced mechanical properties make it suitable for higher temperature applications such as boiler and hot water systems. They also create lighter and thinner piping while maintaining the necessary system pressure ratings. PP-RCT can also be extruded in a multilayer pipe with an inner Fibercore™ layer. This core reduces the impact of thermal expansion on the piping system.

Asahitec™
PP-RCT



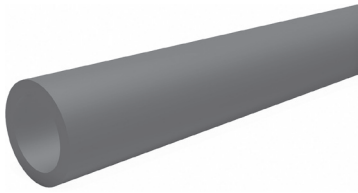
**FIBERCORE™ PIPE
FOR HOT/COLD
WATER AND HVAC**



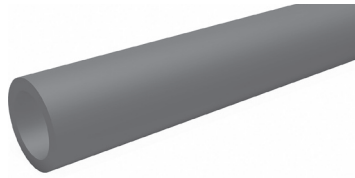
**FIBERCORE™ PIPE
FOR HOT/COLD
WATER AND HVAC**

Pipe and Fittings	Socket fusion 20-125mm (1/2' - 5") Molded butt fusion 160-500mm (6"- 20")
Valves	Type-21AT ball valve: 20 - 110mm (1/2" - 4") Materials: PP /EPDM body with PP-RCT end connectors
	Type-57AT butterfly valve: 50 - 500mm (1-1/2" - 20") Materials: PP/EPDM
Welding	Butt, socket, electrofusion

Asahitec™
PP-RCT



Thick Wall - SDR 7.4



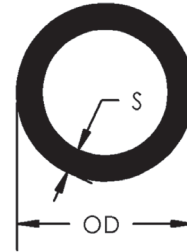
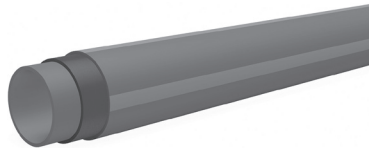
Standard Wall - SDR 11



**ASAHITEC SOLID PP-RCT WALL PIPE
FOR AMBIENT WATER**

Size		Dimensions Length (ft.)	SDR 7.4		SDR 11	
mm (OD)	inch (nominal)		S (in.)	Part Number	S (in.)	Part Number
20	1/2	13.1	0.110	825104005	0.091	825101005*
25	3/4	13.1	0.138	825104007	0.110	825101007*
32	1	13.1	0.173	825104010	0.114	825101010
40	1-1/4	13.1	0.217	825104012	0.146	825101012
50	1-1/2	13.1	0.272	825104015	0.181	825101015
63	2	13.1	0.339	825104020	0.228	825101020
75	2-1/2	13.1	0.406	825104025	0.268	825101025
90	3	13.1	0.484	825104030	0.323	825101030
110	4	13.1	0.594	825104040	0.394	825101040
125	5	13.1	0.673	825104045	0.449	825101045
160	6	13.1	-	-	0.575	825101060
200	8	13.1	-	-	0.717	825101080
250	10	19.0	-	-	0.894	825101100
315	12	19.0	-	-	1.126	825101120
355	14	19.0	-	-	1.268	825101140
400	16	19.0	-	-	1.429	825101160
450	18	19.0	-	-	1.610	825101180
500	20	19.0	-	-	1.787	825101200

*SDR 9

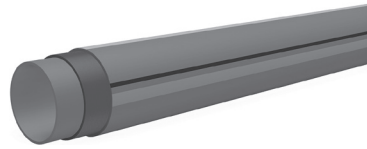



Asahitec™
PP-RCT

WATERTEC™ PP-RCT FIBERCORE™ PIPE FOR HOT/COLD WATER AND HVAC

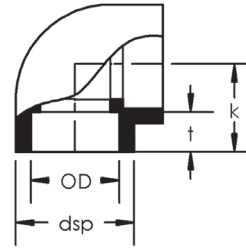
Size		Dimensions		SDR	Part Number
mm (OD)	inch (nominal)	S (in.)	L (ft.)		
20	1/2	0.110	13.1	7.4	825102005
25	3/4	0.137	13.1	7.4	825102007
32	1	0.141	13.1	9	825102010
40	1-1/4	0.177	13.1	9	825102012
50	1-1/2	0.220	13.1	9	825102015
63	2	0.279	13.1	9	825102020
75	2-1/2	0.330	13.1	9	825102025
90	3	0.397	13.1	9	825102030
110	4	0.484	13.1	9	825102040
125	5	0.551	13.1	9	825102045
160	6	0.574	13.1	11	825102060
200	8	0.716	13.1	11	825102080
250	10	0.893	19.0	11	825102100
315	12	1.126	19.0	11	825102120
355	14	1.267	19.0	11	825102140
400	16	1.429	19.0	11	825102160
450	18	1.610	19.0	11	825102180
500	20	1.787	19.0	11	825102200

Asahitec™
PP-RCT



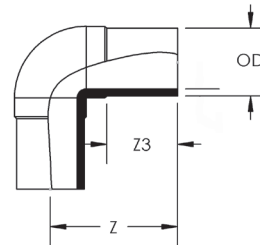
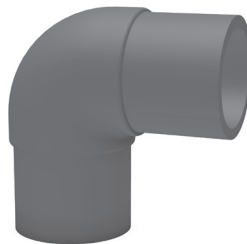
**CLIMATEC™ PP-RCT FIBERCORE™ PIPE
FOR HOT/COLD WATER AND HVAC**

Size		Dimensions		SDR	Part Number
mm (OD)	inch (nominal)	S (in.)	L (ft.)		
20	1/2	0.110	13.1	7.4	825103005
25	3/4	0.138	13.1	7.4	825103007
32	1	0.142	13.1	9	825103010
40	1-1/4	0.146	13.1	11	825103012
50	1-1/2	0.181	13.1	11	825103015
63	2	0.228	13.1	11	825103020
75	2-1/2	0.268	13.1	11	825103025
90	3	0.323	13.1	11	825103030
110	4	0.394	13.1	11	825103040
125	5	0.449	13.1	11	825103045
160	6	0.374	13.1	17	825103060
200	8	0.469	13.1	17	825103080
250	10	0.583	19.0	17	825103100
315	12	0.736	19.0	17	825103120
355	14	0.835	19.0	17	825103140
400	16	0.933	19.0	17	825103160
450	18	1.051	19.0	17	825103180
500	20	1.169	19.0	17	825103200



90 DEGREE SOCKET ELBOW

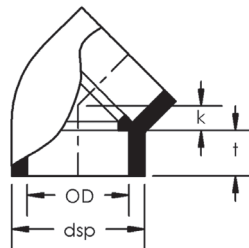
Size		Dimensions			SDR 7.4
OD mm	inch	dsp	t	k	Part Number
20	1/2	1.14	0.59	1.10	825194005
25	3/4	1.34	0.63	1.26	825194007
32	1	1.69	0.71	1.50	825194010
40	1-1/4	2.05	0.83	1.73	825194012
50	1-1/2	2.56	0.94	2.05	825194015
63	2	3.31	1.10	2.44	825194020
75	2-1/2	3.98	1.18	2.80	825194025
90	3	4.72	1.30	3.27	825194030
110	4	5.83	1.46	3.70	825194040
125	5	6.50	1.57	4.88	825194045



90 DEGREE BUTT ELBOW

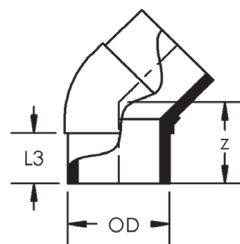
Size		Dimensions		SDR 11	List Price	SDR 17
OD mm	inch	z	z3	Part Number		Part Number
160	6	8.35	4.33	825107060	126.70	825110060
200	8	10.04	5.00	825107080	336.50	825110080
250	10	11.57	5.51	825107100	569.80	825110100
315	12	13.70	5.98	825107120	671.30	825110120
355	14	16.18	6.69	825107140	1135.80	825110140
400	16	18.50	7.36	825107160	1309.00	825110160
450	18	20.75	8.03	825107180	1753.00	825110180
500	20	22.13	8.74	825107200	2435.00	825110200

Asahitec™
PP-RCT



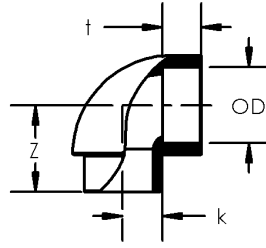
45 DEGREE SOCKET ELBOW

Size		Dimensions			SDR 7.4
OD mm	inch	dsp	t	k	Part Number
20	1/2	1.14	0.59	0.24	825198005
25	3/4	1.34	0.63	0.31	825198007
32	1	1.69	0.71	0.39	825198010
40	1-1/4	2.05	0.83	0.43	825198012
50	1-1/2	2.56	0.94	0.51	825198015
63	2	3.23	1.10	0.63	825198020
75	2-1/2	3.90	1.18	0.79	825198025
90	3	4.72	1.30	0.98	825198030
110	4	5.83	1.46	1.26	825198040
125	5	6.50	1.57	1.46	825198045



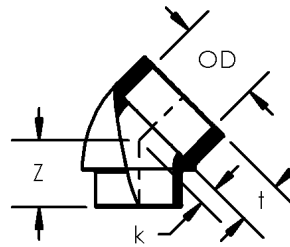
45 DEGREE BUTT ELBOW

Size		Dimensions		SDR 11	SDR 17
OD mm	inch	z	L3	Part Number	Part Number
160	6	6.61	4.33	825108060	825109060
200	8	8.54	5.00	825108080	825109080
250	10	8.78	5.51	825108100	825109100
315	12	10.12	6.30	825108120	825109120
355	14	12.60	6.69	825108140	825109140
400	16	13.78	7.36	825108160	825109160
450	18	15.08	8.03	825108180	825109180
500	20	16.14	8.66	825108200	825109200



90 DEGREE STREET ELBOW

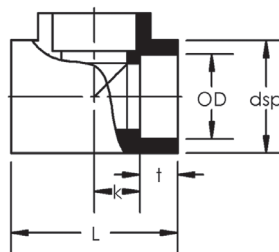
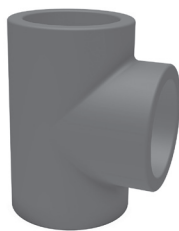
Size		Dimensions			SDR 7.4
OD mm	inch	t	k	z	Part Number
20	1/2	0.59	0.39	1.42	825174005
25	3/4	0.63	0.49	1.61	825174007
32	1	0.71	0.63	1.89	825174010
40	1-1/4	0.83	0.79	2.17	825174012



45 DEGREE STREET ELBOW

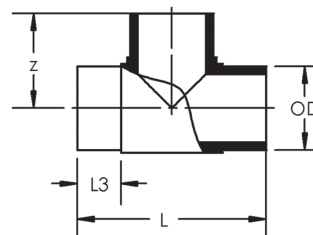
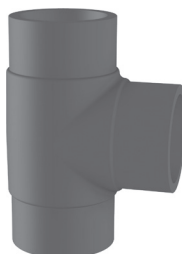
Size		Dimensions			SDR 7.4
OD mm	inch	t	k	z	Part Number
20	1/2	0.59	0.20	1.10	825179005
25	3/4	0.63	0.24	1.34	825179007
32	1	0.71	0.31	1.54	825179010

Asahitec™
PP-RCT



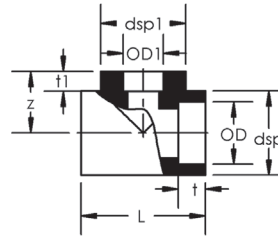
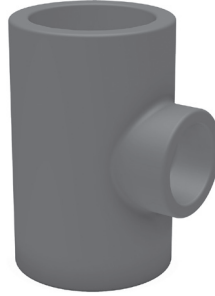
SOCKET TEE

Size		Dimensions				SDR 7.4
OD mm	inch	dsp	t	k	L	Part Number
20	1/2	1.14	0.59	0.51	2.20	825191005
25	3/4	1.34	0.63	0.63	2.52	825191007
32	1	1.69	0.71	0.79	2.99	825191010
40	1-1/4	2.05	0.83	0.91	3.46	825191012
50	1-1/2	2.56	0.94	1.10	4.09	825191015
63	2	3.31	1.10	1.34	4.88	825191020
75	2-1/2	3.94	1.18	1.61	5.59	825191025
90	3	4.72	1.30	1.97	6.54	825191030
110	4	5.83	1.46	2.44	7.80	825191040
125	5	6.50	1.57	3.31	9.76	825191045



BUTT TEE

Size		Dimensions			SDR 11	SDR 17
OD mm	inch	z	L	L3	Part Number	Part Number
160	6	8.86	17.72	4.88	825111060	825115060
200	8	9.88	19.76	5.00	825111080	825115080
250	10	12.36	24.72	5.83	825111100	825115100
315	12	14.06	28.11	6.50	825111120	825115120
355	14	15.43	30.87	6.69	825111140	825115140
400	16	17.13	34.25	7.36	825111160	825115160
450	18	18.90	37.80	8.03	825111180	825115180
500	20	20.59	41.18	8.66	825111200	825115200

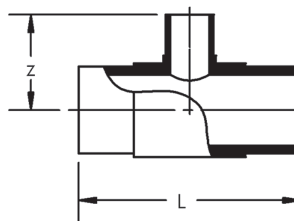


Asahitec™
PP-RCrT

REDUCING SOCKET TEE

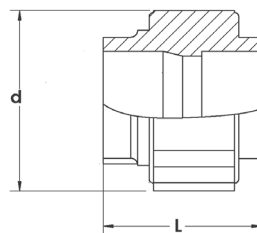
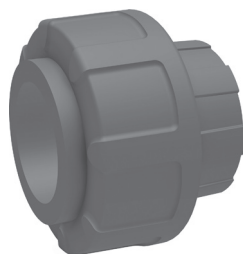
Size		Dimensions						SDR 7.4
OD x OD1 mm	inch	dsp	dsp1	t	t1	z	L	Part Number
25 x 20	3/4 x 1/2	1.34	1.14	0.63	0.59	1.26	2.52	825193101
32 x 20	1 x 1/2	1.69	1.14	0.71	0.59	1.41	2.99	825193130
32 x 25	1 x 3/4	1.69	1.34	0.71	0.63	1.41	2.99	825193131
40 x 20	1-1/4 x 1/2	2.05	1.69	0.79	0.59	1.53	3.46	825193166
40 x 25	1-1/4 x 3/4	2.05	1.69	0.83	0.63	1.57	3.46	825193167
40 x 32	1-1/4 x 1	2.05	1.69	0.83	0.71	1.57	3.46	825193168
50 x 20	1-1/2 x 1/2	2.56	1.69	0.94	0.59	1.81	4.09	825193208
50 x 25	1-1/2 x 3/4	2.56	1.69	0.94	0.63	1.81	4.09	825193210
50 x 32	1-1/2 x 1	2.56	1.69	0.94	0.71	1.81	4.09	825193211
50 x 40	1-1/2 x 1-1/4	3.35	3.35	0.91	1.06	2.44	4.88	825193212
63 x 20	2 x 1/2	3.35	1.69	1.06	0.55	2.44	4.88	825193246
63 x 25	2 x 3/4	3.35	1.69	1.06	0.63	2.44	4.88	825193248
63 x 32	2 x 1	3.35	1.69	1.06	0.71	2.44	4.88	825193249
63 x 40	2 x 1-1/4	3.35	3.35	1.06	0.79	2.44	4.88	825193250
63 x 50	2 x 1-1/2	3.35	3.35	1.06	0.91	2.44	4.88	825193251
75 x 20	2-1/2 x 1/2	3.94	1.69	1.18	0.55	2.79	5.59	825193285
75 x 25	2-1/2 x 3/4	3.94	1.69	1.18	0.63	2.79	5.59	825193286
75 x 32	2-1/2 x 1	3.94	1.69	1.18	0.71	2.79	5.59	825193289
75 x 40	2-1/2 x 1-1/4	3.94	2.56	1.18	0.79	2.79	5.59	825193290
75 x 50	2-1/2 x 1-1/2	3.94	2.56	1.18	0.91	2.79	5.59	825193291
75 x 63	2-1/2 x 2	3.94	3.98	1.18	1.06	2.79	5.59	825193292
90 x 63	3 x 2	3.35	3.27	1.30	1.10	1.96	6.53	825193338
90 x 75	3 x 2-1/2	4.72	3.94	1.30	1.18	3.26	6.53	825193339
110 x 63	4 x 2	5.83	3.35	1.46	1.10	3.89	7.79	825193420
110 x 75	4 x 2-1/2	5.83	3.94	1.46	1.18	3.89	7.79	825193421
110 x 90	4 x 3	5.83	4.72	1.46	1.30	3.89	7.79	825193422
125 x 75	5 x 2-1/2	6.50	3.94	1.57	1.18	4.09	9.76	825193459
125 x 90	5 x 3	6.50	4.72	1.57	1.30	4.17	9.76	825193460
125 x 110	5 x 4	6.50	5.83	1.57	0.91	4.33	9.76	825193461

Asahitec™
PP-RCT



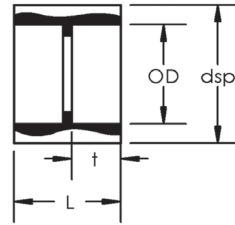
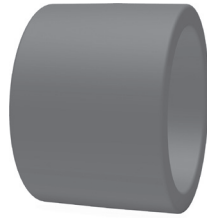
REDUCING BUTT TEE

Size		Dimensions		SDR 11	SDR 17 x 11
mm	inch	z	L	Part Number	Part Number
160 x 90	6 x 3	7.48	16.69	825112531	825117531
160 x 110	6 x 4	7.76	16.69	825112532	825117532
200 x 90	8 x 3	8.39	20.31	825112582	825117582
200 x 110	8 x 4	8.82	20.31	825112583	825117583
200 x 125	8 x 5	8.90	20.31	825112584	825117584
200 x 160	8 x 6	9.53	20.31	825112585	825117585



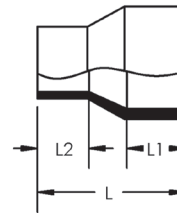
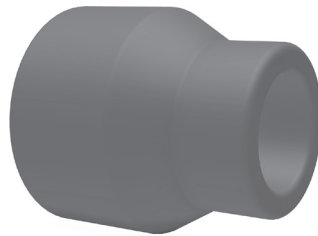
UNION - SOCKET

Size		Dimensions		SDR 7.4
mm	inch	L	d	Part Number
20	1/2	1.73	1.81	825197005
25	3/4	1.87	2.20	825197007
32	1	2.03	2.60	825197010
40	1-1/4	2.28	3.11	825197012
50	1-1/2	2.60	3.43	825197015
63	2	3.09	4.21	825197020



SOCKET COUPLING

Size		Dimensions			SDR 7.4
OD mm	inch	dsp	t	L	Part Number
20	1/2	1.14	0.57	1.34	825185005
25	3/4	1.34	0.63	1.46	825185007
32	1	1.69	0.71	1.61	825185010
40	1-1/4	2.05	0.81	1.81	825185012
50	1-1/2	2.56	0.93	2.05	825185015
63	2	3.31	1.08	2.36	825185020
75	2-1/2	3.90	1.18	2.56	825185025
90	3	4.72	1.30	2.99	825185030
110	4	5.83	1.46	3.15	825185040
125	5	6.50	1.57	3.54	825185045



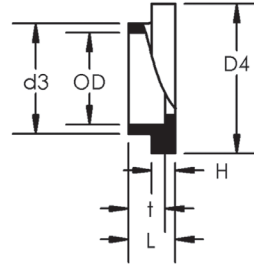
CONCENTRIC REDUCER

Size		Dimensions			SDR 11	List Price	SDR 17
mm	inch	L	L1	L2	Part Number		Part Number
125 x 110	5 x 4	8.86	3.94	3.35	825113461+	80.20	-
160 x 110	6 x 4	10.04	4.33	3.66	825113532	84.20	825119532*
160 x 125	6 x 5	10.24	4.45	3.74	825113533	125.20	825119533*
200 x 160	8 x 6	11.93	5.59	4.61	825113585	132.70	825119585
250 x 160	10 x 6	13.35	5.43	4.37	825113627	197.80	825119627
250 x 200	10 x 8	13.39	5.51	5.12	825113628	197.80	825119628
315 x 250	12 x 10	15.75	6.30	5.71	825113673	495.00	825119673
355 x 250	14 x 10	16.73	6.97	5.91	825113702	859.90	825119702
355 x 315	14 x 12	16.73	6.97	6.81	825113705	859.90	825119705
400 x 315	16 x 12	18.11	7.48	6.50	825113721	1187.90	825119721
400 x 355	16 x 14	18.23	7.48	7.28	825113724	1187.90	825119724

*SDR 17X11

+SDR 7.4 coupling may be required

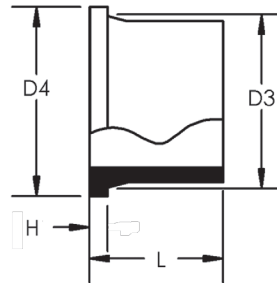
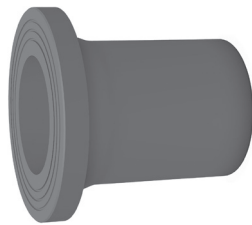
Asahitec™
PP-RCT



STUB END - SOCKET+

Size		Dimensions					SDR 7.4
mm	inch	k	L	d3	D4	H	Part Number
40	1-1/4	0.35	1.14	1.97	2.40	0.31	825155012*
50	1-1/2	0.16	1.06	2.40	2.91	0.31	825155015
63	2	0.51	1.57	2.99	4.02	0.67	825155020
75	2-1/2	0.31	1.50	3.54	4.80	0.75	825155025
90	3	0.47	1.77	4.25	5.39	0.83	825155030
110	4	0.51	1.97	5.16	6.22	0.83	825155040
125	5	0.51	2.09	5.75	6.38	0.98	825155045

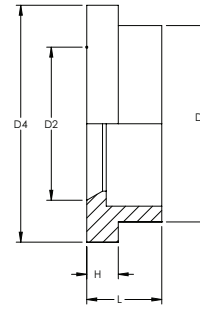
*Special order item. Non-cancelable. Non-returnable.
+Requires backing ring. See page 52-54.



STUB END - BUTT+

Size		Dimensions				SDR 11	SDR 17
mm	inch	L	D3	D4	H	Part Number	Part Number
160	6	6.89	6.89	8.35	0.98	825118060	825120060
200	8	8.08	9.13	10.55	1.26	825118080	825120080
250	10	9.25	11.22	12.60	1.38	825118100	825120100
315	12	10.11	13.27	14.65	1.42	825118120	825120120
355	14	10.83	14.69	16.93	1.57	825118140	825120140
400	16	12.40	16.81	30.79	1.77	825118160	825120160
450	18	13.39	20.24	23.03	2.36	825118180	825120180
500	20	13.54	20.87	23.03	2.36	825118200	825120200

+Requires backing ring. See page 52-54.

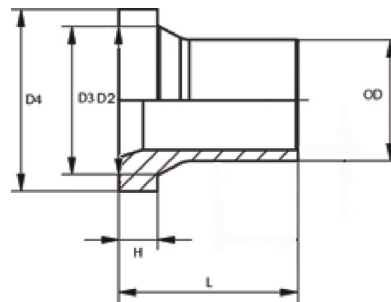
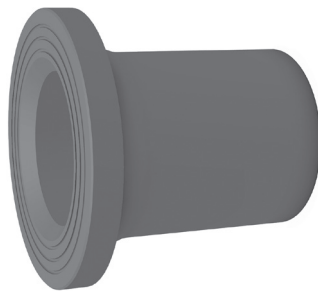


CHAMFERED STUB END - SOCKET⁺

Size		Dimensions					SDR 7.4
OD mm	inch	L	D2	D3	D4	H	Part Number
110	4	1.97	4.02	5.16	6.22	0.83	825156040

+Requires backing ring. See page 52-54.

Check with A/A on butterfly valve disc clearance dimension, not all butterfly valves have the same disc clearance dimension.



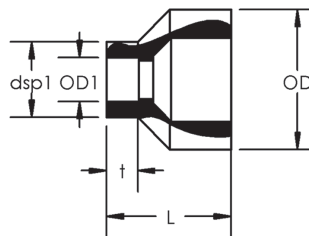
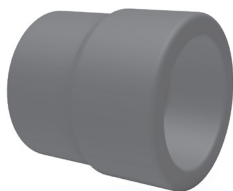
CHAMFERED STUB END - BUTT⁺

Size		Dimensions					SDR 11	List Price	SDR 17
OD mm	inch	L	D2	D3	D4	H	Part Number		Part Number
160	6	7.17	5.91	6.89	8.35	0.98	825128060	111.50	825129060
200	8	7.67	7.68	9.13	10.55	1.26	825128080	211.30	825129080
250	10	9.25	9.84	11.22	12.60	1.38	825128100	347.50	825129100
315	12	10.31	11.93	13.27	14.65	1.42	825128120	546.20	825129120
355	14	10.83	13.82	14.69	16.93	1.57	825128140	962.60	825129140
400	16	12.48	15.98	16.81	30.79	1.77	825128160	1283.50	825129160
450	18	13.39	17.80	20.24	23.03	2.36	825128180	1302.70	825129180
500	20	14.17	19.76	20.87	23.03	2.36	825128200	1421.30	825129200

+Requires backing ring. See page 52-54.

Check with A/A on butterfly valve disc clearance dimension, not all butterfly valves have the same disc clearance dimension.

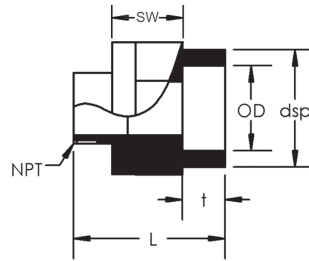
Asahitec™
PP-RCT



REDUCING BUSHING - SPIGOT X SOCKET

Size		Dimensions			SDR 7.4
OD X OD1 mm	inch	dsp	t	L	Part Number
25 x 20*	3/4 x 1/2	1.14	0.55	1.42	825195101
32* x 20	1 x 1/2	1.14	0.55	1.46	825195130
32 x 25*	1 x 3/4	1.34	0.63	1.54	825195131
40* x 20	1-1/4 x 1/2	1.34	0.59	1.69	825195166
40* x 25	1-1/4 x 3/4	1.34	0.63	1.69	825195167
40 x 32*	1-1/4 x 1	1.69	0.71	1.77	825195168
50* x 20	1-1/2 x 1/2	1.69	0.59	2.01	825195208
50* x 25	1-1/2 x 3/4	1.69	0.63	2.01	825195210
50* x 32	1-1/2 x 1	1.69	0.71	2.01	825195211
50 x 40*	1-1/2 x 1-1/4	2.05	0.79	2.09	825195212
63* x 20	2 x 1/2	1.34	0.55	2.20	825195246
63* x 25	2 x 3/4	1.34	0.63	2.20	825195248
63* x 32	2 x 1	1.69	0.71	2.28	825195249
63* x 40	2 x 1-1/4	2.05	0.79	2.36	825195250
63 x 50*	2 x 1-1/2	2.56	0.91	2.48	825195251
75* x 50	2-1/2 x 1/2	2.56	0.91	2.64	825195291
75 x 63*	2-1/2 x 2	3.15	1.06	2.80	825195292
90* x 50	3 x 1-1/2	2.56	0.91	2.91	825195337
90* x 63	3 x 2	3.15	1.06	3.07	825195338
90 x 75*	3 x 2-1/2	3.90	1.18	3.19	825195339
110* x 63	4 x 2	3.35	1.06	3.43	825195420
110* x 75	4 x 2-1/2	3.94	1.18	3.54	825195421
110 x 90*	4 x 3	4.72	1.26	3.66	825195422

* Spigot End



MALE NPT ADAPTER WITH LEAD FREE BRASS CONNECTION

Size mm x inch	Dimensions				SDR 7.4
	dsp	t	L	sw	Part Number
20 x 1/2"	1.14	0.59	2.17	1.42	825159005
20 x 3/4"	1.34	0.63	2.28	1.73	825159006
25 x 3/4"	1.34	0.63	2.28	1.73	825159007
32 x 1"	1.69	0.63	2.60	2.01	825159010
40 x 1-1/4"	2.05	0.83	2.91	2.48	825159012
50 x 1-1/2"	2.52	0.91	3.03	2.76	825159015
63 x 2"	3.11	1.06	3.62	3.35	825159020
75 x 2-1/2"	3.90	1.18	4.41	4.53	825159025

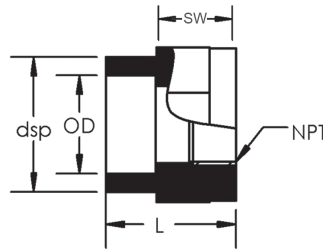


SIDE WALL MALE ADAPTER

Pipe Range x Output x Bit

Size mm x MNPT	Dimensions		SDR 7.4
	h	sw	Part Number
40-50 x 1/2" PP-RCT 25mm Side	1.14	1.50	825143166
63-125 x 1/2" PP-RCT 25mm Side	1.14	1.50	825143285
63-125 x 3/4" PP-RCT 25mm Side	1.14	1.50	825143286
75-125 x 1" PP-RCT 32mm Side	1.38	2.01	825143455
160-250 x 1/2" PP-RCT 25mm Side	1.14	1.50	825143512
160-250 x 3/4" PP-RCT 32mm Side	1.14	1.50	825143514
160-250 x 1" PP-RCT 32mm Side	1.38	2.01	825143516
315-630 x 3/4" PP-RCT 25mm Side	1.14	1.50	825143652
315-630 x 1" PP-RCT 32mm Side	1.38	2.01	825143653

* Branch outlet bushing required for welding, see page 25.



FEMALE NPT ADAPTER WITH LEAD FREE BRASS CONNECTION

Size mm x inch	Dimensions			SDR 7.4
	dsp	L	sw	Part Number
20 x 1/2"	1.14	1.57	1.42	825153005
20 x 3/4"	1.34	1.65	1.73	825153006
25 x 3/4"	1.34	1.65	1.73	825153007
32 x 1"	1.69	1.89	2.01	825153010
40 x 1-1/4"	2.05	2.13	2.48	825153012
50 x 1-1/2"	2.52	2.24	2.76	825153015
63 x 2"	3.11	2.68	3.35	825153020
75 x 2-1/2"	3.90	3.23	4.53	825153025

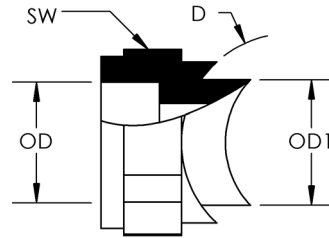


SIDE WALL FEMALE ADAPTER

Pipe Range x Output x Bit

Size mm x FNPT	Dimensions		SDR 7.4
	h	sw	Part Number
40-50 x 1/2" PP-RCT 25mm Side	1.14	1.50	825170166
63-125 x 1/2" PP-RCT 25mm Side	1.14	1.50	825170285
63-125 x 3/4" PP-RCT 25mm Side	1.14	1.50	825170286
75-125 x 1" PP-RCT 32mm Side	1.38	2.01	825170455
160-250 x 1/2" PP-RCT 25mm Side	1.14	1.50	825170512
160-250 x 3/4" PP-RCT 32mm Side	1.14	1.50	825170514
160-250 x 1" PP-RCT 32mm Side	1.38	2.01	825170516
315-630 x 3/4" PP-RCT 25mm Side	1.14	1.50	825170652
315-630 x 1" PP-RCT 32mm Side	1.38	2.01	825170653

* Branch outlet bushing required for welding, see page 25.



Asahitec™
PP-RCT

SIDE WALL BRANCH SOCKET OUTLET

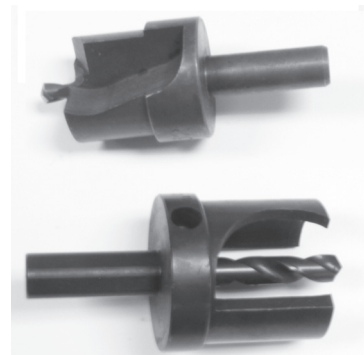
Pipe Range x Output x Bit

Size mm x mm	Dimensions		SDR 7.4
	h	sw	Part Number
40-50 x 20 PP-RCT 25mm Side	1.14	1.50	825142166
40-50 x 25 PP-RCT 25mm Side	1.14	1.50	825142167
63-125 x 20 PP-RCT 25mm Side	1.14	1.50	825142285
63-125 x 25 PP-RCT 25mm Side	1.14	1.50	825142286
63-125 x 32 PP-RCT 32mm Side	1.38	2.01	825142289
75-125 x 40 PP-RCT 40mm Side	1.50	2.48	825142290
90-125 x 50 PP-RCT 50mm Side	1.54	2.76	825142415
110 x 63 PP-RCT 63mm Side	1.77	3.35	825142458
160-250 x 20 PP-RCT 25mm Side	1.14	1.50	825142512
160-250 x 25 PP-RCT 25mm Side	1.14	1.50	825142514
160-250 x 32 PP-RCT 32mm Side	1.38	2.01	825142516
160-250 x 40 PP-RCT 40mm Side	1.50	2.48	825142519
160-250 x 50 PP-RCT 50mm Side	1.54	2.76	825142523
160-250 x 63 PP-RCT 63mm Side	1.77	3.35	825142530
315-630 x 32 PP-RCT 32mm Side	1.38	2.01	825142653
315-630 x 40 PP-RCT 40mm Side	1.50	2.48	825142654
315-630 x 50 PP-RCT 50mm Side	1.54	2.76	825142655
315-630 x 63 PP-RCT 63mm Side	1.77	3.35	825142656

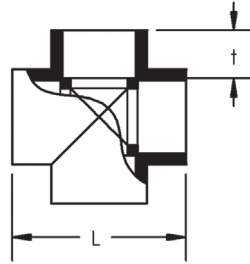
* Branch outlet bushing required for welding, see page 25.

SIDE WALL DRILLBITS

Size		Part Number
mm	inch	
25	3/4	825798007
32	1	825798010
40	1-1/4	825798012
50	1-1/2	825798015
63	2	825798020

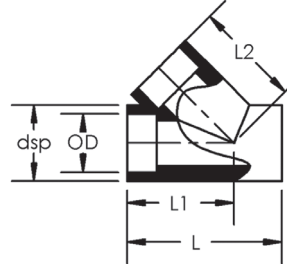


Asahitec™
PP-RCT



SOCKET CROSS

Size		Dimensions		SDR 11
OD mm	inch	t	L	Part Number
20	1/2	0.57	2.05	825114005
25	3/4	0.63	2.32	825114007
32	1	0.87	3.07	825114010
40	1-1/4	1.02	3.70	825114012
50	1-1/2	0.91	4.41	825114015
63	2	1.06	5.43	825114020



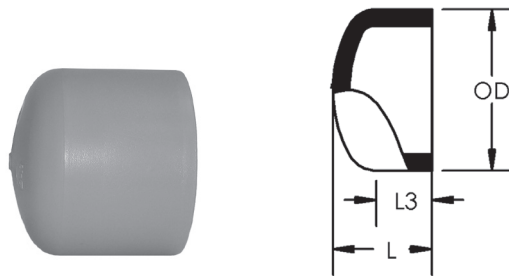
SOCKET WYE

Size		Dimensions			SDR 11
OD mm	inch	L	L1	L2	Part Number
32	1	3.50	1.93	3.11	825189010
40	1-1/4	4.80	2.24	4.13	825189012
50	1-1/2	5.16	2.52	4.45	825189015
63	2	6.65	3.07	5.67	825189020



SOCKET CAP

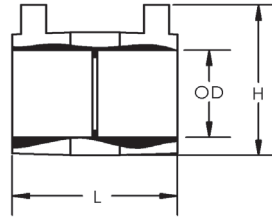
Size		Dimensions		SDR 7.4
OD mm	inch	dsp	L	Part Number
20	1/2	1.14	0.98	825181005
25	3/4	1.34	1.10	825181007
32	1	1.69	1.26	825181010
40	1-1/4	2.05	1.42	825181012
50	1-1/2	2.56	1.61	825181015
63	2	3.11	1.89	825181020
75	2-1/2	3.90	2.13	825181025
90	3	4.72	2.60	825181030
110	4	5.83	3.11	825181040
125	5	6.50	3.43	825181045



BUTT CAP

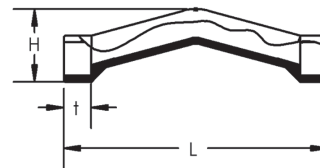
Size		Dimensions		SDR 11	List Price	SDR 17
OD mm	inch	L	L3	Part Number		Part Number
160	6	5.51	3.94	825121060	123.80	825122060
200	8	7.48	5.71	825121080	130.80	825122080
250	10	8.58	6.42	825121100	158.40	825122100
315	12	9.84	7.56	825121120	386.70	825122120
355	14	10.83	8.46	825121140	494.90	825122140
400	16	11.14	8.98	825121160	567.40	825122160
500	20	13.19	8.35	825121200	1098.90	825122200

Asahitec™
PP-RCT



ELECTROFUSION COUPLING

Size		Dimensions		Part Number
OD mm	inch	L	H	
20	1/2	2.76	2.05	825177005
25	3/4	2.76	2.24	825177007
32	1	2.76	2.56	825177010
40	1-1/4	3.35	2.95	825177012
50	1-1/2	3.43	3.39	825177015
63	2	3.82	3.94	825177020
75	2-1/2	4.72	4.49	825177025
90	3	5.79	5.12	825177030
110	4	6.18	5.67	825177040
125	5	6.50	6.57	825177045
160	6	6.93	8.07	825177060
200	8	7.36	9.65	825177080
250	10	9.57	12.40	825177100
315	12	11.02	14.76	825177120
355	14	12.40	17.13	825177140
400	16	13.98	18.98	825177160
450	18	13.78	21.02	825177180



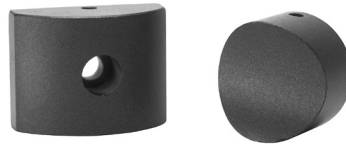
SOCKET CROSSOVER

Size		Dimensions			SDR 7.4
mm	inch	t	L	H	Part Number
20	1/2	0.57	6.30	1.77	825176005
25	3/4	0.63	7.87	2.17	825176007
32	1	1.02	9.45	2.76	825176010



TYPE A SOCKET FUSION HEATER BUSHINGS

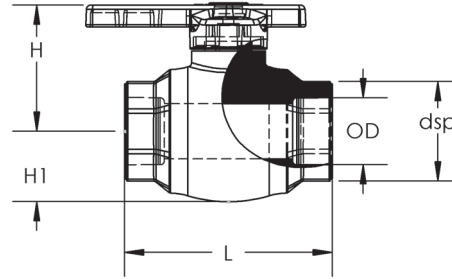
Size		Part Number
mm	inch	
20	1/2	825797005
25	3/4	825797007
32	1	825797010
40	1-1/4	825797012
50	1-1/2	825797015
63	2	825797020
75	2-1/2	825797025
90	3	825797030
110	4	825797040
125	5	825797045



BRANCH OUTLET BUSHINGS

mm	Size	Part Number
	inch	
40-63 x 25	1-1/4-2 x 3/4	825797166
40-63 x 32	1-1/4-2 x 1	825797168
75-125 x 25	2-1/2-4-1/2 x 3/4	825797286
75-125 x 32	2-1/2-4-1/2 x 1	825797289
75-125 x 40	2-1/2-4-1/2 x 1-1/4	825797290
75-125 x 50	2-1/2-4-1/2 x 1-1/2	825797415
75-125 x 63	2-1/2-4-1/2 x 2	825797458
160-250 x 25	6-10 x 3/4	825797514
160-250 x 32	6-10 x 1	825797516
160-250 x 40	6-10 x 1-1/4	825797519
160-250 x 50	6-10 x 1-1/2	825797523
160-250 x 63	6-10 x 2	825797530
315-630 x 25	12-20 x 3/4	825797652
315-630 x 32	12-20 x 1	825797653
315-630 x 40	12-20 x 1-1/4	825797654
315-630 x 50	12-20 x 1-1/2	825797655
315-630 x 63	12-20 x 2	825797656

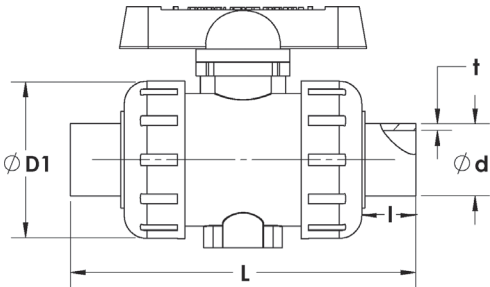
Asahitec™
PP-RCT



COMPACT BALL VALVE - SOCKET

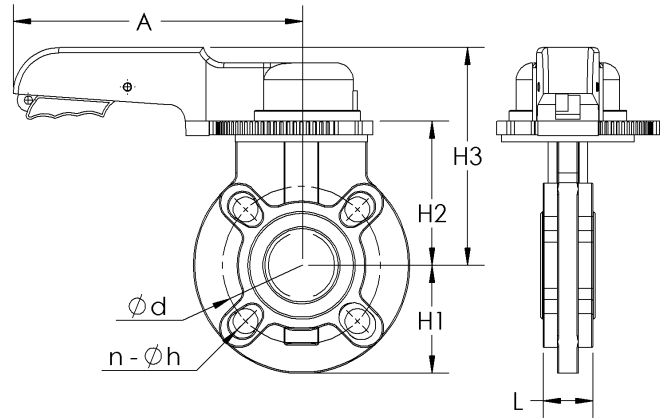
Size		Dimensions				SDR 7
mm	inch	H	H1	L	dsp	Part Number
20	1/2	2.04	0.98	3.46	1.22	825162005
25	3/4	2.18	1.04	3.62	1.50	825162007
32	1	2.29	1.28	3.78	1.81	825162010
40	1-1/4	3.00	1.77	4.53	2.13	825162012
50	1-1/2	3.24	2.04	4.86	2.60	825162015
63	2	3.53	2.26	5.91	3.23	825162020

Not NSF approved. For hyronic applications only.



TYPE-21AT TRUE UNION BALL VALVE - SOCKET

Size		Dimensions				EPDM O-RINGS
mm	inch	D1	d1	I	L	Part Number
20	1/2	0.848	0.836	0.875	4.45	821638005
25	3/4	1.058	1.046	1.000	5.08	821638007
32	1	1.325	1.310	1.125	5.75	821638010
40	1-1/4	1.553	1.543	1.250	6.46	821638012
50	1-1/2	1.912	1.894	1.375	7.24	821638015
63	2	2.387	2.369	1.500	8.23	821638020
75	2-1/2	2.560	2.923	1.75	9.45	821638025
90	3	5.48	3.51	1.40	9.92	821638030
110	4	8.27	4.29	1.63	13.28	821638040



Asahitec™
PP-RC™

TYPE-57AT LEVER BUTTERFLY VALVE

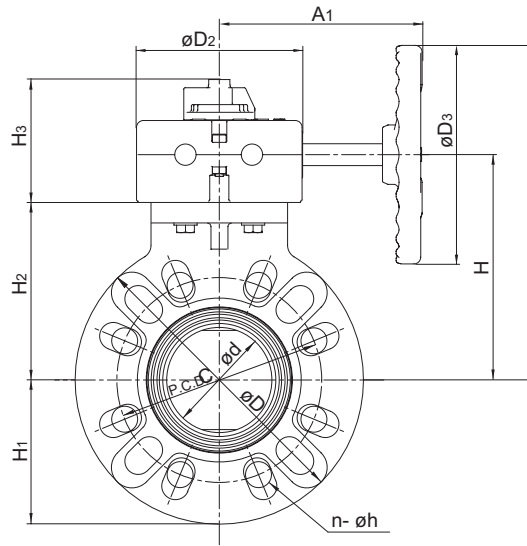
Size inch	Dimensions					PP BODY AND DISC/ EPDM LINER Part Number
	A	H1	H2	H3	L	
1-1/2	8.66	2.95	3.94	2.20	1.54	823752015
2	8.66	3.25	4.33	2.20	1.65	823752020
2-1/2	8.66	3.64	4.72	2.20	1.81	823752025
3	9.84	4.15	5.31	2.20	1.81	823752030
4	9.84	4.69	5.91	2.20	2.20	823752040
5	12.60	5.20	6.61	2.72	2.60	823752050
6	12.60	5.61	7.20	2.72	2.80	823752060
8	15.75	6.69	8.43	2.72	3.43	823752080



**Certified to
NSF/ANSI 61**

For lugged valves please consult factory

Asahitec™
PP-RCT



TYPE-57AT GEAR BUTTERFLY VALVE

Size	Dimensions									PP BODY AND DISC/ EPDM LINER
	inch	d	D	D2	D3	H	H1	H2	H3	
1-1/2	1.77	5.91	4.8	6.30	5.12	2.95	3.74	3.54	6.57	823726015
2	2.20	6.50	4.8	6.30	5.51	3.25	4.13	3.54	6.57	823726020
2-1/2	2.72	7.28	4.8	6.30	5.91	3.64	4.53	3.54	6.57	823726025
3	3.03	8.31	4.8	6.30	6.50	4.15	5.12	3.54	6.57	823726030
4	4.02	9.37	4.8	6.30	7.09	4.69	5.71	3.54	6.57	823726040
5	5.08	10.39	4.8	y.30	7.68	5.20	6.30	3.54	6.57	823726050
6	5.91	11.22	4.8	6.30	8.27	5.61	6.89	3.54	6.57	823726060
8	7.68	13.39	4.8	6.30	9.49	6.69	8.11	3.54	6.57	823726080
10	9.84	16.57	4.8	6.30	10.87	8.31	9.49	3.62	6.57	823726100
12	11.93	19.21	7.4	11.81	13.39	9.61	11.73	4.25	10.71	823726120
14	13.82	21.22	7.4	11.81	14.49	10.63	12.90	4.25	10.71	823726140



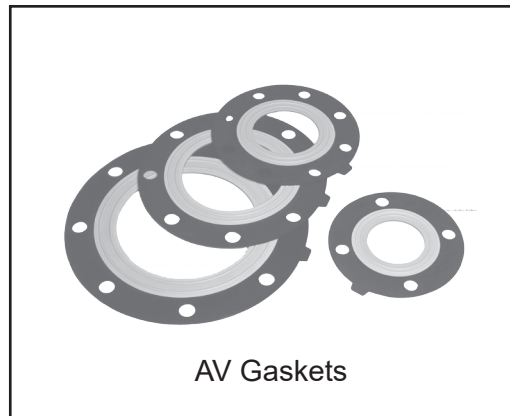
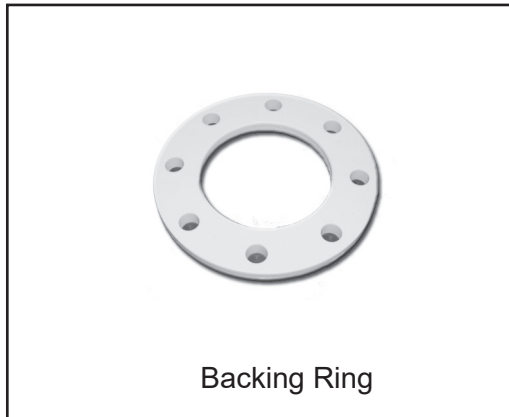
Certified to
NSF/ANSI 61

For larger sizes up to 24" please consult factory

For lugged valves please consult factory

Piping System Accessories

Accessories



BACKING RING*

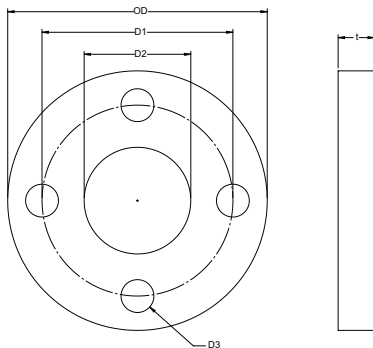


Backing Ring

Size		Description	PP - Grey
mm	inch		Part Number
20	1/2	ANSI 150#	5046005
25	3/4	ANSI 150#	5046007
32	1	ANSI 150#	5046010
40	1-1/4	ANSI 150#	5046012
50	1-1/2	ANSI 150#	5046015
63	2	ANSI 150#	5046020
75	2-1/2	ANSI 150#	5046025
90	3	ANSI 150#	5046030
110	4	ANSI 150#	5046040
160	6	ANSI 150#	5046060
200/225	8	ANSI 150#	5046080
250/280	10	ANSI 150#	5046100
315	12	ANSI 150#	5046120

*DIN bolt pattern PN 10/16 available.
 *PP black UV resistant.

Accessories

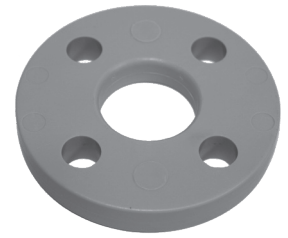


Size		Dimensions						
mm	inch	OD	D1	D2	D3	t	Weight	# of Bolt Holes
20	1/2	3.740	2.380	1.102	0.630	0.472	0.463	4
25	3/4	4.016	2.750	1.339	0.630	0.472	0.529	4
32	1	4.488	3.120	1.654	0.630	0.630	0.807	4
40	1-1/4	5.118	3.500	2.008	0.630	0.630	1.235	4
50	1-1/2	5.236	3.880	2.441	0.630	0.709	1.193	4
63	2	6.378	4.750	3.071	0.787	0.709	1.788	4
75	2-1/2	7.244	5.500	3.622	0.787	0.709	2.352	4
90	3	7.638	6.000	4.370	0.787	0.709	2.271	4
110	4	9.016	7.500	5.236	0.787	0.709	3.342	8
160	6	11.142	9.500	7.008	0.866	0.945	5.115	8
200/225	8	13.583	11.750	9.291	0.866	0.945	7.474	8
250/280	10	16.220	14.250	11.339	0.984	1.024	13.669	12
315	12	19.173	17.000	13.307	0.984	1.260	28.748	12

225mm (9") and 200mm (8") stub ends use 8" ANSI backing rings.
 Consult factory for backing rings larger than 315mm (12").

BACKING RING*

Size		Description	PP - Black*
mm	inch		Part Number
20	1/2	ASNI 150#	5146005
25	3/4	ASNI 150#	5146007
32	1	ASNI 150#	5146010
40	1-1/4	ASNI 150#	5146012
50	1-1/2	ASNI 150#	5146015
63	2	ASNI 150#	5146020
75	2-1/2	ASNI 150#	5146025
90	3	ASNI 150#	5146030
110	4	ASNI 150#	5146040
160	6	ASNI 150#	5146060
200/225	8	ASNI 150#	5146080
250/280	10	ASNI 150#	5146100
315	12	ASNI 150#	5146120



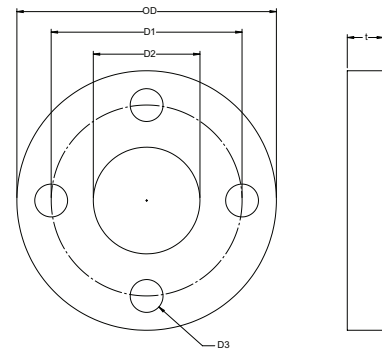
Backing Ring

*DIN bolt pattern PN 10/16 available.

*PP black UV resistant.

Accessories

Size		Dimensions						
mm	inch	OD	D1	D2	D3	t	Weight	# of Bolt Holes
20	1/2	3.740	2.380	1.102	0.630	0.472	0.463	4
25	3/4	4.016	2.750	1.339	0.630	0.472	0.529	4
32	1	4.488	3.120	1.654	0.630	0.630	0.807	4
40	1-1/4	5.118	3.500	2.008	0.630	0.630	1.235	4
50	1-1/2	5.236	3.880	2.441	0.630	0.709	1.193	4
63	2	6.378	4.750	3.071	0.787	0.709	1.788	4
75	2-1/2	7.244	5.500	3.622	0.787	0.709	2.352	4
90	3	7.638	6.000	4.370	0.787	0.709	2.271	4
110	4	9.016	7.500	5.236	0.787	0.709	3.342	8
160	6	11.142	9.500	7.008	0.866	0.945	5.115	8
200/225	8	13.583	11.750	9.291	0.866	0.945	7.474	8
250/280	10	16.220	14.250	11.339	0.984	1.024	13.669	12
315	12	19.173	17.000	13.307	0.984	1.260	28.748	12



225mm (9") and 200mm (8") stub ends use 8" ANSI backing rings.
Consult factory for backing rings larger than 315mm (12").

BACKING RING*

Size		Description	Ductile Iron+	316 SS++
mm	inch		Part Number	Part Number
20	1/2	ANSI 150#	-	504501005
25	3/4	ANSI 150#	5048007	504501007
32	1	ANSI 150#	5048010	504501010
40	1-1/4	ANSI 150#	5048012	-
50	1-1/2	ANSI 150#	5048015	504501015
63	2	ANSI 150#	5048020	504501020
75	2-1/2	ANSI 150#	5048025	-
90	3	ANSI 150#	5048030	504501030
110	4	ANSI 150#	5048040	504501040
160	6	ANSI 150#	5048060	504501060
200/225	8	ANSI 150#	5048080	504501080
250/280	10	ANSI 150#	5048100	504501100
315	12	ANSI 150#	5048120	504501120
355	14	ANSI 150#	5048140	-
400	16	ANSI 150#	5048160	-
450	18	ANSI 150#	5048180	-
500	20	ANSI 150#	5048200	-
550	22	ANSI 150#	5048220	-
630	24	ANSI 150#	5048240	-

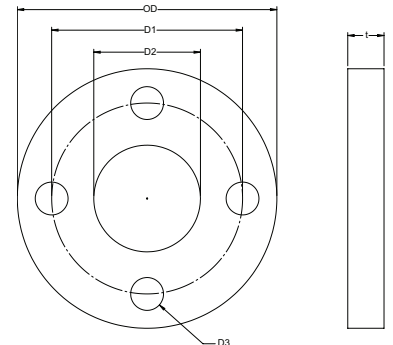


Backing Ring

Accessories

*DIN bolt pattern PN 10/16 available.
 +DI backing rings not recommended for socket stub ends.
 ++ Contact A/A for current Stainless Steel pricing.

Size		Dimensions							# of Bolt Holes
mm	inch	OD	D1	D2	D3	t	Weight		
20	1/2	3.740	2.380	1.102	0.630	0.472	0.463	4	
25	3/4	4.016	2.750	1.339	0.630	0.472	0.529	4	
32	1	4.488	3.120	1.654	0.630	0.630	0.807	4	
40	1-1/4	5.118	3.500	2.008	0.630	0.630	1.235	4	
50	1-1/2	5.236	3.880	2.441	0.630	0.709	1.193	4	
63	2	6.378	4.750	3.071	0.787	0.709	1.788	4	
75	2-1/2	7.244	5.500	3.622	0.787	0.709	2.352	4	
90	3	7.638	6.000	4.370	0.787	0.709	2.271	4	
110	4	9.016	7.500	5.236	0.787	0.709	3.342	8	
160	6	11.142	9.500	7.008	0.866	0.945	5.115	8	
200/225	8	13.583	11.750	9.291	0.866	0.945	7.474	8	
250/280	10	16.220	14.250	11.339	0.984	1.024	13.669	12	
315	12	19.173	17.000	13.307	0.984	1.260	22.500	12	
355	14	21.000	19.750	14.800	1.130	1.380	30.000	12	
400	16	23.500	21.250	16.930	1.130	1.440	35.000	16	
450	18	25.000	22.750	18.500	1.250	1.560	39.000	16	
500	20	27.500	25.000	21.250	1.250	1.690	56.000	20	
630	24	32.000	29.500	25.000	1.380	2.130	74.000	20	



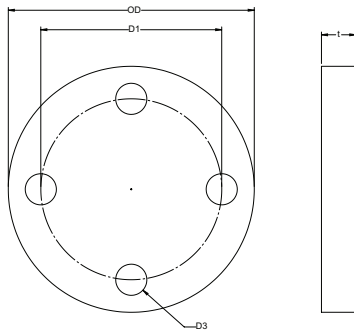
PP BLIND FLANGE



**PP
Blind Flange**

Size		Description	230 PSI Part Number
mm	inch		
20	1/2	Steel Insert, ANSI 150#	5042005
25	3/4	Steel Insert, ANSI 150#	5042007
32	1	Steel Insert, ANSI 150#	5042010
40	1-1/4	Steel Insert, ANSI 150#	5042012
50	1-1/2	Steel Insert, ANSI 150#	5042015
63	2	Steel Insert, ANSI 150#	5042020
75	2-1/2	Steel Insert, ANSI 150#	5042025
90	3	Steel Insert, ANSI 150#	5042030
110	4	Steel Insert, ANSI 150#	5042040
160	6	Steel Insert, ANSI 150#	5042060
200	8	Steel Insert, ANSI 150#	5042080
250	10	Steel Insert, ANSI 150#	5042100
315	12	Steel Insert, ANSI 150#	5042120

Accessories



Size		OD	D1	D3	t	Weight (lbs)	# of Bolt Holes
mm	inch						
20	1/2	3.740	2.380	0.630	0.472	0.569	4
25	3/4	4.016	2.750	0.630	0.472	0.750	4
32	1	4.488	3.120	0.630	0.630	1.118	4
40	1-1/4	5.118	3.500	0.630	0.630	1.614	4
50	1-1/2	5.236	3.880	0.630	0.709	1.775	4
63	2	6.378	4.750	0.787	0.709	2.690	4
75	2-1/2	7.244	5.500	0.787	0.709	3.400	4
90	3	7.638	6.000	0.787	0.709	4.057	4
110	4	9.016	7.500	0.787	0.709	6.504	8
160	6	11.142	9.500	0.866	0.945	11.244	8
200	8	13.583	11.750	0.866	0.945	17.461	8
250	10	16.220	14.250	0.984	1.024	33.400	12
315	12	19.173	17.000	0.984	1.260	63.493	12

AV Gaskets

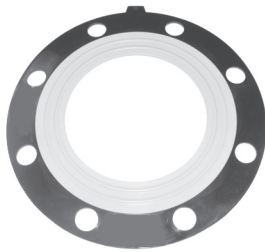
Please consult current Valve List Price book to ensure the list prices on all AV gaskets are current. Current Valve Price book supersedes this pricing.



EPDM
Durometer 65-70



PVDF
Durometer 83-85



PTFE
Durometer 95-100

CT GASKETS -PTFE*



PTFE

* Non stock-special order

AV Gaskets - EPDM

Size	Description	Part Number
1/2"	EPDM	3113005
3/4"	EPDM	3113007
1"	EPDM	3113010
1-1/4"	EPDM	3113012
1-1/2"	EPDM	3113015
2"	EPDM	3113020
2-1/2"	EPDM	3113025
3"	EPDM	3113030
4"	EPDM	3113040
6"	EPDM	3113060
8"	EPDM	3113080
10"	EPDM	3113100
12"	EPDM	3113120

AV Gaskets - PVDF

Size	Description	Part Number
1/2"	PVDF	3115005
3/4"	PVDF	3115007
1"	PVDF	3115010
1-1/2"	PVDF	3115015
2"	PVDF	3115020
3"	PVDF	3115030
4"	PVDF	3115040
6"	PVDF	3115060
8"	PVDF	3115080
10"	PVDF	3115100

AV Gaskets - PTFE

Size	Description	Part Number
1/2"	PTFE	3114005
3/4"	PTFE	3114007
1"	PTFE	3114010
1-1/4"	PTFE	3114012
1-1/2"	PTFE	3114015
2"	PTFE	3114020
2-1/2"	PTFE	3114025
3"	PTFE	3114030
4"	PTFE	3114040
6"	PTFE	3114060
8"	PTFE	3114080
10"	PTFE	3114100
12"	PTFE	3114120

General grade, available cleaned and bagged.

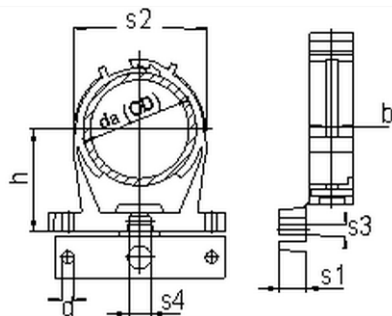
Size		Description	Part Number
mm	inch		
355	14	ANSI 150#	3116140
400	16	ANSI 150#	3116160
450	18	ANSI 150#	3116180
500	20	ANSI 150#	3116200
630	24	ANSI 150#	3116240



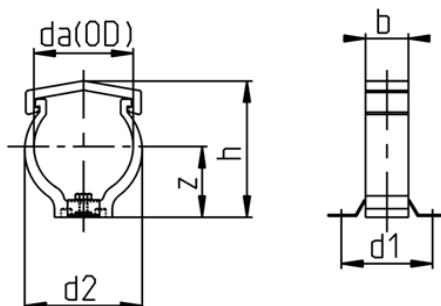
PIPE CLIPS

Size		Description	Part Number
mm	inch		
20	1/2	Snap Clips	5349005
25	3/4	Snap Clips	5349007
32	1	Snap Clips	5349010
40	1-1/4	Snap Clips	5349012
50	1-1/2	Snap Clips	5349015
63	2	2 Piece Clip	5246020
75	2-1/2	2 Piece Clip	5246025
90	3	2 Piece Clip	5246030
110	4	2 Piece Clip	5246040
160	6	2 Piece Clip	5246060
200	8	2 Piece Clip	5246080
225	9	2 Piece Clip	5246090

Accessories



Size		h	s1	s2	s3/d	s4	b
mm	inch						
20	1/2	1.06	0.24	1.14	0.26	0.35	0.55
25	3/4	1.18	0.40	1.34	0.26	0.35	0.63
32	1	1.24	0.45	1.54	0.26	0.35	0.63
40	1-1/4	1.46	0.55	1.97	0.26	0.35	0.69
50	1-1/2	1.61	0.59	2.20	0.26	0.35	0.79



Size		z	d1	d2	h	b
mm	inch					
63	2	2.04	2.91	3.07	3.74	1.16
75	2-1/2	2.40	3.23	3.70	4.41	1.57
90	3	2.63	3.22	4.25	5.03	1.57
110	4	3.14	3.22	5.39	5.98	1.57
160	6	4.56	4.33	7.24	8.54	2.36
200	8	5.82	4.33	9.37	10.50	2.36



PIPE CLIPS

Size		Description	Part Number
mm	inch		
250	10	Snap Clips	5350100
280	11	Snap Clips	5350110
315	12	Snap Clips	5350120
355	14	Snap Clips	5350140
400	16	Snap Clips	5350160

10-16" pipe clips are special order.

Size		B	D	E	d3	Z1	Z2
mm	inch						
250	10	7.88	0.98	1.57	0.51	7.19	5.61
315	12	8.86	0.98	1.57	0.51	8.6	6.75
355	14	10.12	1.18	1.97	0.67	10.87	8.27
400	16	11.34	1.18	1.97	0.67	11.85	9.06

