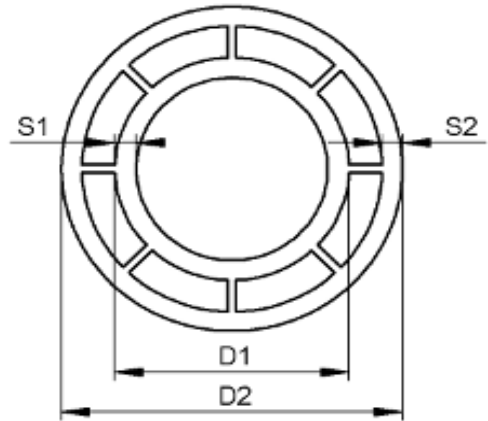


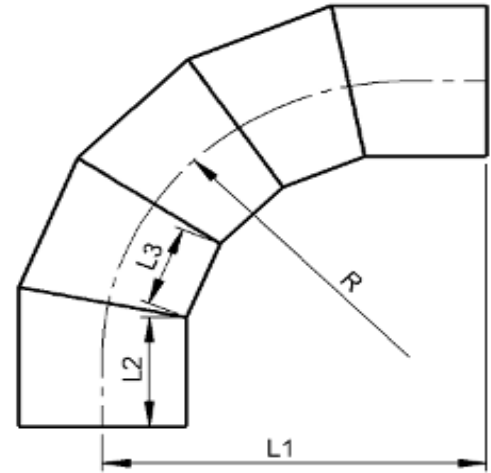
Poly-Flo Dimensional Guide



Pipe 5m (16.4') Length

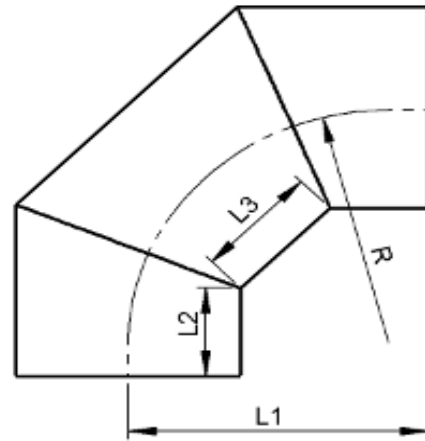
Size		Part Number		Dimensions							
mm <i>actual</i>	inch <i>nominal</i>	Chem Proline® <i>PE</i>	Proline® <i>PP</i>	D1		S1		D2		S2	
				<i>mm</i>	<i>inch</i>	<i>mm</i>	<i>inch</i>	<i>mm</i>	<i>inch</i>	<i>mm</i>	<i>inch</i>
32 x 50	1" x 1½"	587850211	507850211	32	1.26	3.0	0.118	50	1.97	3.0	0.118
63 x 90	2" x 3"	587850338	507850338	63	2.48	5.8	0.228	90	3.54	5.4	0.213
110 x 160	4" x 6"	587850532	507850532	110	4.33	10.0	0.394	160	6.30	9.5	0.374

Poly-Flo Dimensional Guide



90° Elbow Segmented 5pc

Size		Part Number		Dimensions							
mm <i>actual</i>	inch <i>nominal</i>	Chem Proline® <i>PE</i>	Proline® <i>PP</i>	L1		L2		L3		R	
				<i>mm</i>	<i>inch</i>	<i>mm</i>	<i>inch</i>	<i>mm</i>	<i>inch</i>	<i>mm</i>	<i>inch</i>
32 x 50	1" x 1½"	587863211	507863211	137	5⅝	40	1½	36	1⅜	115	4½
63 x 90	2" x 3"	587863338	507863338	183	7⅝	51	2	43	1⅝	153	6
110 x 160	4" x 6"	587863532	507863532	318	12½	89	3½	74	2⅞	267	10½

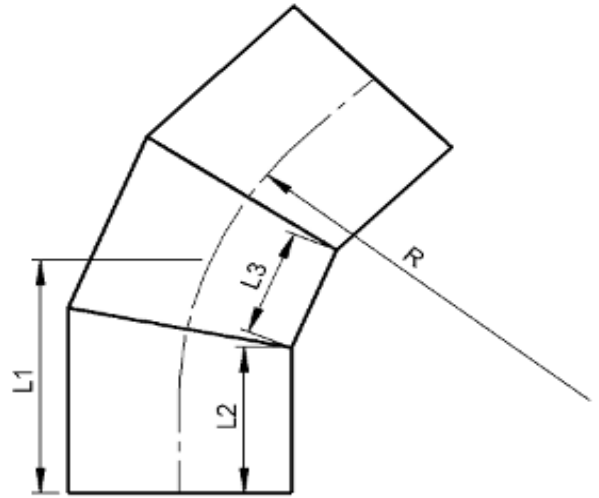


90° Elbow Segmented 3pc

Size		Part Number		Dimensions							
mm <i>actual</i>	inch <i>nominal</i>	Chem Proline® <i>PE</i>	Proline® <i>PP</i>	L1		L2		L3		R	
				<i>mm</i>	<i>inch</i>	<i>mm</i>	<i>inch</i>	<i>mm</i>	<i>inch</i>	<i>mm</i>	<i>inch</i>
32 x 50	1" x 1½"	587868211	507868211	137	5⅝	104	4	78	3	130	5
63 x 90	2" x 3"	587868338	507868338	183	7⅝	134	5¼	96	3¾	174	6¾
110 x 160	4" x 6"	587868532	507868532	318	12½	183	7⅝	150	5⅞	261	10¼

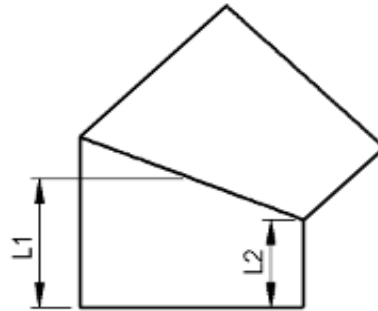
Pressure rating: 120 psi

Poly-Flo Dimensional Guide



45° Elbow Segmented 3pc

Size		Part Number		Dimensions			
mm <i>actual</i>	inch <i>nominal</i>	Chem Proline® <i>PE</i>	Proline® <i>PP</i>	L1		L2	
				<i>mm</i>	<i>inch</i>	<i>mm</i>	<i>inch</i>
32 x 50	1" x 1½"	587862211	507862211	77	3	66	2½
63 x 90	2" x 3"	587862338	507862338	102	4	83	3¼
110 x 160	4" x 6"	587862532	507862532	153	6	120	4⅝

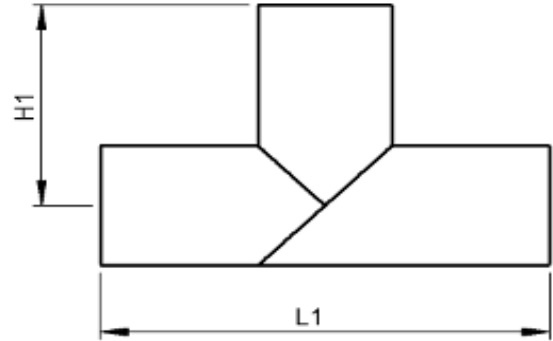


45° Elbow Segmented 2pc

Size		Part Number		Dimensions			
mm <i>actual</i>	inch <i>nominal</i>	Chem Proline® <i>PE</i>	Proline® <i>PP</i>	L1		L2	
				<i>mm</i>	<i>inch</i>	<i>mm</i>	<i>inch</i>
32 x 50	1" x 1½"	587852211	507852211	77	3	66	2½
63 x 90	2" x 3"	587852338	507852338	102	4	83	3¼
110 x 160	4" x 6"	587852532	507852532	153	6	120	4⅝

Pressure rating: 120 psi

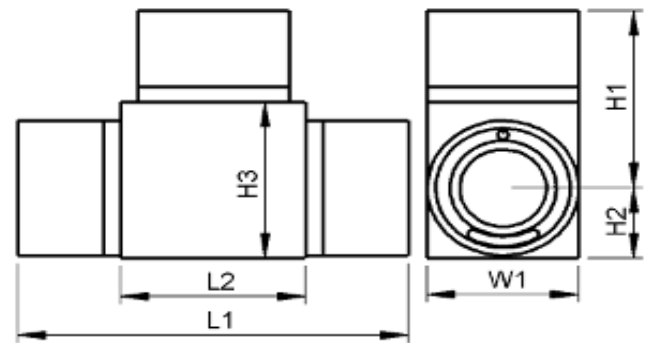
Poly-Flo Dimensional Guide



Tee Segmented

Size		Part Number		Dimensions			
mm <i>actual</i>	inch <i>nominal</i>	Chem Proline® <i>PE</i>	Proline® <i>PP</i>	L1		H1	
				<i>mm</i>	<i>inch</i>	<i>mm</i>	<i>inch</i>
32 x 50	1" x 1½"	587854211	507854211	197	7¾	99	3⅞
63 x 90	2" x 3"	587854338	507854338	243	9½	121	4¾
110 x 160	4" x 6"	587854532	507854532	381	15	190.5	7½

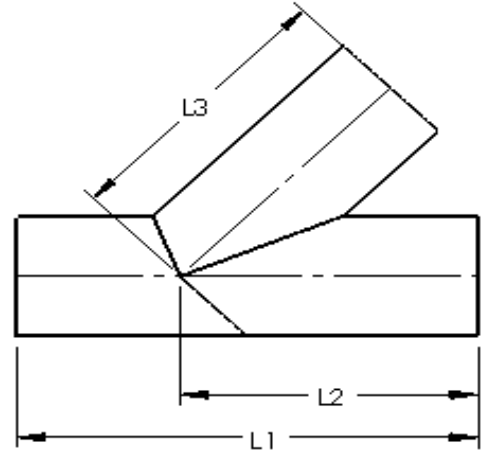
Pressure rating: 90 psi



Tee Machined

Size		Part Number		Dimensions											
mm <i>actual</i>	inch <i>nominal</i>	Chem Proline® <i>PE</i>	Proline® <i>PP</i>	L1		L2		H1		H2		H3		W1	
				<i>mm</i>	<i>inch</i>	<i>mm</i>	<i>inch</i>	<i>mm</i>	<i>inch</i>	<i>mm</i>	<i>inch</i>	<i>mm</i>	<i>inch</i>	<i>mm</i>	<i>inch</i>
32 x 50	1" x 1½"	587864211	507864211	198	7¾	77	3	99	3⅞	30	1⅞	68	2⅝	50	1⅞
63 x 90	2" x 3"	587864338	507864338	232	9⅞	110	4¼	118	4⅞	47	1¾	105	4⅞	90	3½
110 x 160	4" x 6"	587864532	507864532	330	12⅞	203	7⅞	166	6½	102	4	205	8	163	6⅞

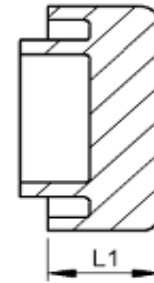
Poly-Flo Dimensional Guide



Mitered Lateral

Size		Part Number		Dimensions					
mm <i>actual</i>	inch <i>nominal</i>	Chem Proline® <i>PE</i>	Proline® <i>PP</i>	L1		L2		L3	
				<i>mm</i>	<i>inch</i>	<i>mm</i>	<i>inch</i>	<i>mm</i>	<i>inch</i>
63 x 90	2" x 3"	587874338	507874338	400	15 ⁵ / ₈	250	9 ³ / ₄	250	9 ³ / ₄
110 x 160	4" x 6"	587874532	507874532	550	21 ⁵ / ₈	355	13 ⁷ / ₈	355	13 ⁷ / ₈

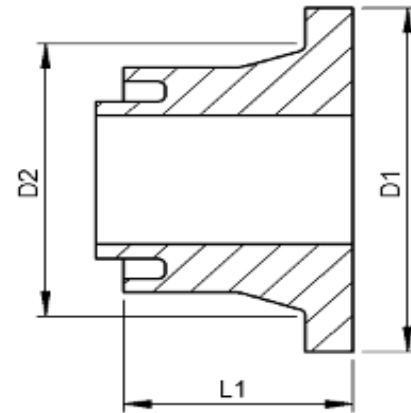
Pressure rating: 90 psi



End Cap

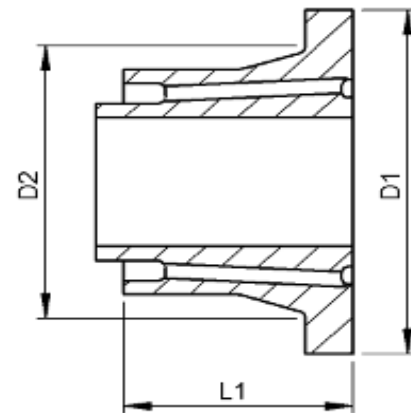
Size		Part Number		Dimensions	
mm <i>actual</i>	inch <i>nominal</i>	Chem Proline® <i>PE</i>	Proline® <i>PP</i>	L	
				<i>mm</i>	<i>inch</i>
32 x 50	1" x 1 ¹ / ₂ "	587873211	507873211	30	1 ¹ / ₈
63 x 90	2" x 3"	587873338	507873338	40	1 ¹ / ₂
110 x 160	4" x 6"	587873532	507873532	50	1 ⁷ / ₈

Poly-Flo Dimensional Guide



Stub End Solid

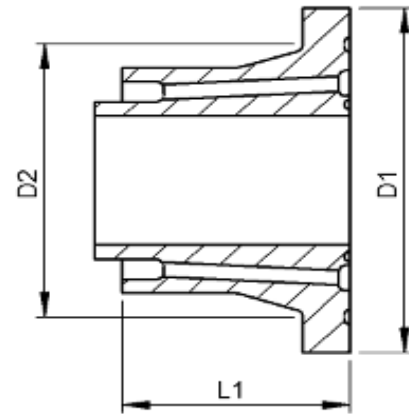
Size		Part Number		Dimensions					
mm <i>actual</i>	inch <i>nominal</i>	Chem Proline® <i>PE</i>	Proline® <i>PP</i>	L1		D1		D2	
				<i>mm</i>	<i>inch</i>	<i>mm</i>	<i>inch</i>	<i>mm</i>	<i>inch</i>
32 x 50	1" x 1½"	587872211	507872211	55	2⅞	88	3⅝	61	2⅞
63 x 90	2" x 3"	587872338	507872338	82	3⅝	138	5⅝	105	4⅞
110 x 160	4" x 6"	587872532	507872532	94	3⅝	212	8¼	175	6⅞



Stub End Flow-Through Flat Face

Size		Part Number		Dimensions					
mm <i>actual</i>	inch <i>nominal</i>	Chem Proline® <i>PE</i>	Proline® <i>PP</i>	L		D1		D2	
				<i>mm</i>	<i>inch</i>	<i>mm</i>	<i>inch</i>	<i>mm</i>	<i>inch</i>
32 x 50	1" x 1½"	587875211	507875211	55	2⅞	88	3⅝	61	2⅞
63 x 90	2" x 3"	587875338	507875338	82	3⅝	138	5⅝	105	4⅞
110 x 160	4" x 6"	587875532	507875532	94	3⅝	212	8¼	175	6⅞

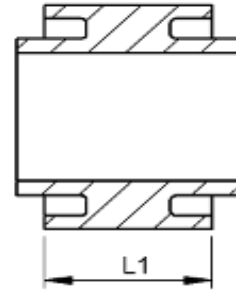
Poly-Flo Dimensional Guide



Stub End Flow-Through O-Ring

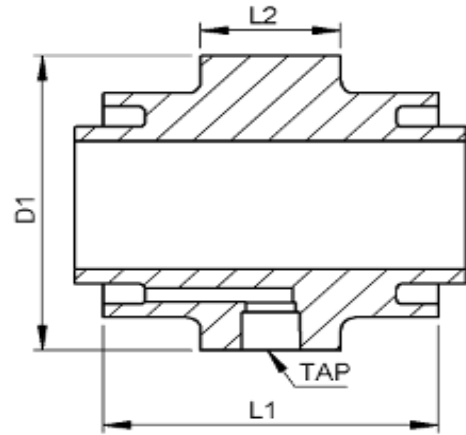
Size		Part Number		Dimensions					
mm <i>actual</i>	inch <i>nominal</i>	Chem Proline® <i>PE</i>	Proline® <i>PP</i>	L		D1		D2	
				<i>mm</i>	<i>inch</i>	<i>mm</i>	<i>inch</i>	<i>mm</i>	<i>inch</i>
32 x 50	1" x 1½"	587876211	507876211	55	2⅞	88	3⅜	61	2⅜
63 x 90	2" x 3"	587876338	507876338	82	3⅞	138	5⅜	105	4⅞
110 x 160	4" x 6"	587876532	507876532	94	3⅞	212	8¼	175	6⅞

Poly-Flo Dimensional Guide



Dogbone Solid

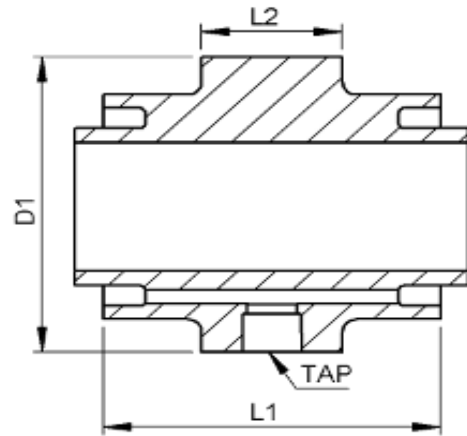
Size		Part Number		Dimensions	
mm <i>actual</i>	inch <i>nominal</i>	Chem Proline® <i>PE</i>	Proline® <i>PP</i>	mm	L inch
32 x 50	1" x 1½"	587877211	507877211	50	1⅞
63 x 90	2" x 3"	587877338	507877338	60	2¼
110 x 160	4" x 6"	587877532	507877532	80	3⅝



Dogbone Compartment with Annular Tap

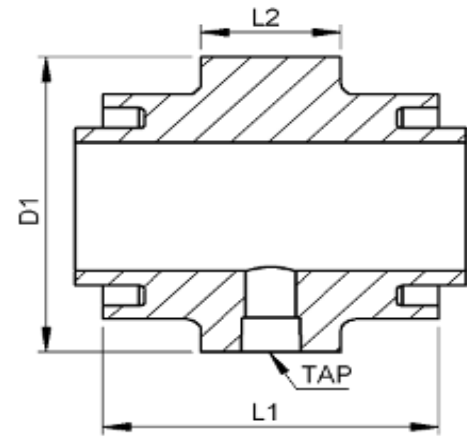
Size		Part Number		Dimensions						
mm <i>actual</i>	inch <i>nominal</i>	Chem Proline® <i>PE</i>	Proline® <i>PP</i>	L1		L2		L3		Tap
				mm	inch	mm	inch	mm	inch	
32 x 50	1" x 1½"	587880211	507880211	120	4⅞	50	1⅞	80	3⅝	1/2" NPT
63 x 90	2" x 3"	587880338	507880338	120	4⅞	50	1⅞	120	4⅞	1/2" NPT
110 x 160	4" x 6"	587880532	507880532	120	4⅞	50	1⅞	190	7⅞	1/2" NPT

Poly-Flo Dimensional Guide



Dogbone Flow-Through with Annular Tap

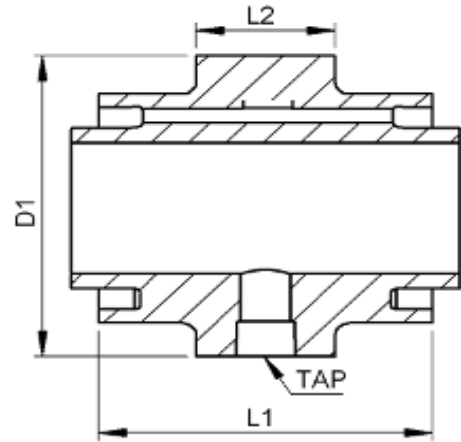
Size		Part Number		Dimensions						
mm <i>actual</i>	inch <i>nominal</i>	Chem Proline® <i>PE</i>	Proline® <i>PP</i>	L1		L2		L3		Tap
				<i>mm</i>	<i>inch</i>	<i>mm</i>	<i>inch</i>	<i>mm</i>	<i>inch</i>	
32 x 50	1" x 1½"	587878211	507878211	120	4⅝	50	1⅞	80	3⅜	1/2" NPT
63 x 90	2" x 3"	587878338	507878338	120	4⅝	50	1⅞	120	4⅝	1/2" NPT
110 x 160	4" x 6"	587878532	507878532	120	4⅝	50	1⅞	190	7⅞	1/2" NPT



Dogbone with Carrier Tap

Size		Part Number		Dimensions						
mm <i>actual</i>	inch <i>nominal</i>	Chem Proline® <i>PE</i>	Proline® <i>PP</i>	L1		L2		L3		Tap
				<i>mm</i>	<i>inch</i>	<i>mm</i>	<i>inch</i>	<i>mm</i>	<i>inch</i>	
32 x 50	1" x 1½"	587858211	507858211	120	4⅝	50	1⅞	80	3⅜	1/2" NPT
63 x 90	2" x 3"	587858338	507858338	120	4⅝	50	1⅞	120	4⅝	1/2" NPT
110 x 160	4" x 6"	587858532	507858532	120	4⅝	50	1⅞	190	7⅞	1/2" NPT

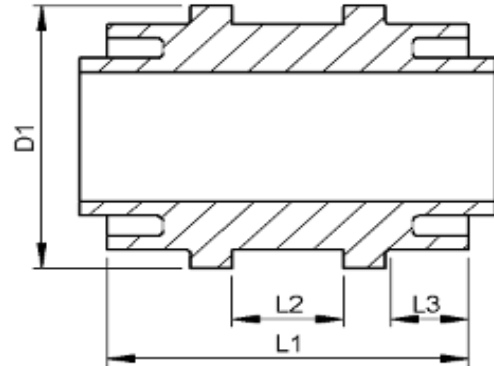
Poly-Flo Dimensional Guide



Dogbone with Carrier Tap Flow-Through

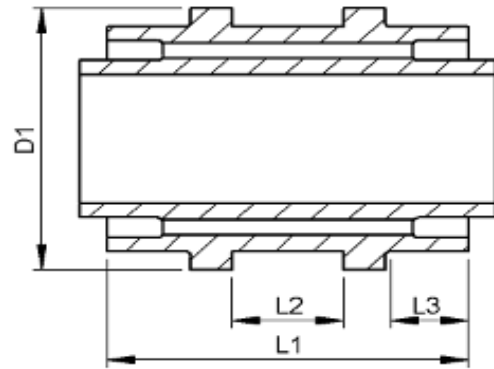
Size		Part Number		Dimensions						
mm <i>actual</i>	inch <i>nominal</i>	Chem Proline® <i>PE</i>	Proline® <i>PP</i>	L1		L2		L3		Tap
				<i>mm</i>	<i>inch</i>	<i>mm</i>	<i>inch</i>	<i>mm</i>	<i>inch</i>	
32 x 50	1" x 1½"	587858211	507858211	120	4⅝	50	1⅞	80	3⅜	1/2" NPT
63 x 90	2" x 3"	587858338	507858338	120	4⅝	50	1⅞	120	4⅝	1/2" NPT
110 x 160	4" x 6"	587858532	507858532	120	4⅝	50	1⅞	190	7⅝	1/2" NPT

Poly-Flo Dimensional Guide



Restraint Fitting Solid

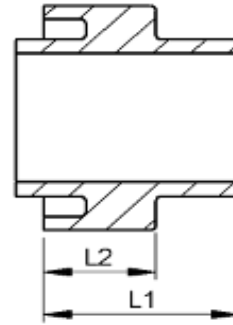
Size		Part Number		Dimensions							
mm <i>actual</i>	inch <i>nominal</i>	Chem Proline® <i>PE</i>	Proline® <i>PP</i>	L1		L2		L3		D1	
				<i>mm</i>	<i>inch</i>	<i>mm</i>	<i>inch</i>	<i>mm</i>	<i>inch</i>	<i>mm</i>	<i>inch</i>
32 x 50	1" x 1½"	587859211	507859211	113	4¾	33	1¼	28	1	58	2¼
63 x 90	2" x 3"	587859338	507859338	130	5	40	1½	28	1	105	4⅛
110 x 160	4" x 6"	587859532	507859532	160	6¼	40	1½	27	1	180	7



Restraint Fitting Flow-Through

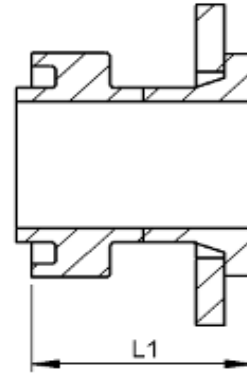
Size		Part Number		Dimensions							
mm <i>actual</i>	inch <i>nominal</i>	Chem Proline® <i>PE</i>	Proline® <i>PP</i>	L1		L2		L3		D1	
				<i>mm</i>	<i>inch</i>	<i>mm</i>	<i>inch</i>	<i>mm</i>	<i>inch</i>	<i>mm</i>	<i>inch</i>
32 x 50	1" x 1½"	587879211	507879211	113	4¾	33	1¼	28	1	58	2¼
63 x 90	2" x 3"	587879338	507879338	130	5	40	1½	28	1	105	4⅛
110 x 160	4" x 6"	587879532	507879532	160	6¼	40	1½	27	1	180	7

Poly-Flo Dimensional Guide



End Termination

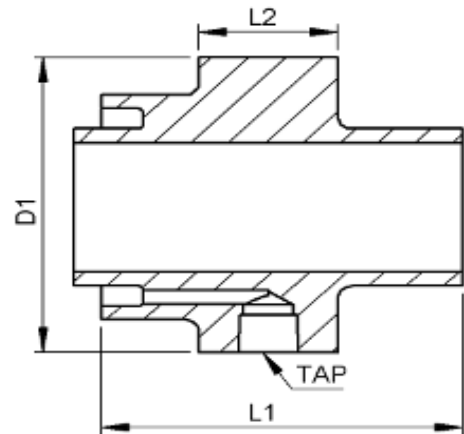
Size		Part Number		Dimensions			
mm <i>actual</i>	inch <i>nominal</i>	Chem Proline® <i>PE</i>	Proline® <i>PP</i>	L1		L2	
				<i>mm</i>	<i>inch</i>	<i>mm</i>	<i>inch</i>
32 x 50	1" x 1½"	587855211	507855211	55	2⅛	30	1⅛
63 x 90	2" x 3"	587855338	507855338	70	2¾	40	1½
110 x 160	4" x 6"	587855532	507855532	105	4⅛	50	1⅞



End Termination Flanged (ANSI)

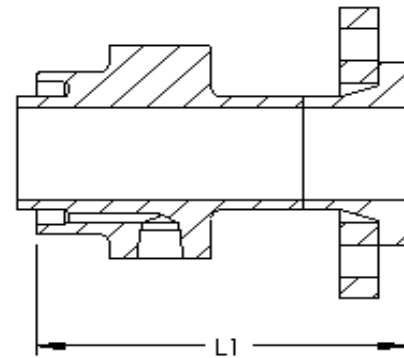
Size		Part Number		Dimensions	
mm <i>actual</i>	inch <i>nominal</i>	Chem Proline® <i>PE</i>	Proline® <i>PP</i>	L	
				<i>mm</i>	<i>inch</i>
32 x 50	1" x 1½"	587856211	507856211	115	4½
63 x 90	2" x 3"	587856338	507856338	130	5
110 x 160	4" x 6"	587856532	507856532	191	7½

Poly-Flo Dimensional Guide



End Termination with Annular Tap

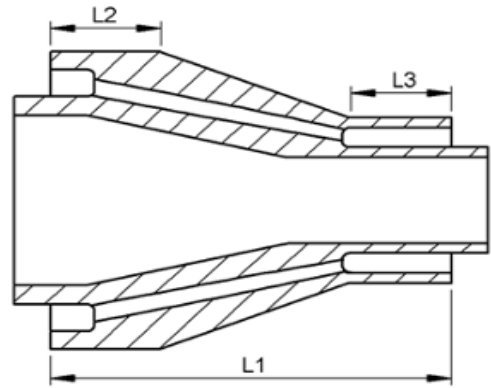
Size		Part Number		Dimensions							
mm <i>actual</i>	inch <i>nominal</i>	Chem Proline® <i>PE</i>	Proline® <i>PP</i>	L1		L2		D1		Tap	
				<i>mm</i>	<i>inch</i>	<i>mm</i>	<i>inch</i>	<i>mm</i>	<i>inch</i>		
32 x 50	1" x 1½"	587860211	507860211	130	5	50	1⅞	80	3⅛	1/2" NPT	
63 x 90	2" x 3"	587860338	507860338	130	5	50	1⅞	120	4⅝	1/2" NPT	
110 x 160	4" x 6"	587860532	507860532	130	5	50	1⅞	190	7⅝	1/2" NPT	



End Termination Flanged (ANSI) with Annular Tap

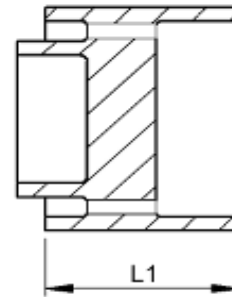
Size		Part Number		Dimensions	
mm <i>actual</i>	inch <i>nominal</i>	Chem Proline® <i>PE</i>	Proline® <i>PP</i>	L	
				<i>mm</i>	<i>inch</i>
32 x 50	1" x 1½"	587861211	507861211	60	2¼
63 x 90	2" x 3"	587861338	507861338	70	2¾
110 x 160	4" x 6"	587861532	507861532	80	3⅝

Poly-Flo Dimensional Guide



Reducer

Size		Part Number		Dimensions					
mm <i>actual</i>	inch <i>nominal</i>	Chem Proline® <i>PE</i>	Proline® <i>PP</i>	L1		L2		L3	
				<i>mm</i>	<i>inch</i>	<i>mm</i>	<i>inch</i>	<i>mm</i>	<i>inch</i>
63 x 90 32 x 50	2" x 3" 1" x 1½"	587865249	507865249	110	4¼"	30	1⅛"	28	1"
110 x 160 63 x 90	4" x 6" 2" x 3"	587865420	507865420	155	6"	30	1⅛"	30	1⅛"



Outer Wall Adapter

Size		Part Number		Dimensions	
mm <i>actual</i>	inch <i>nominal</i>	Chem Proline® <i>PE</i>	Proline® <i>PP</i>	L1	
				<i>mm</i>	<i>inch</i>
32 x 50	1" x 1½"	587857211	507857211	190	7⅝"
63 x 90	2" x 3"	587857338	507857338	190	7⅝"
110 x 160	4" x 6"	587857532	507857532	216	8½"